

Style

M8 Socket, shielded
3 pin
A-coding

Ratings

Voltage: 60 V
Current: 3 A

Operating Temperature Range

-40~105 °C

Materials

- ① Insulator: PA66, UL 94 HB, black
- ② Pin: C3604 brass, gold flashing
- ③ Nut: C3604 brass, nickel plated
- ④ Shell: C3604 brass, nickel plated
- ⑤ O-ring: Nitrile rubber, black & green

Electrical Requirements

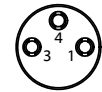
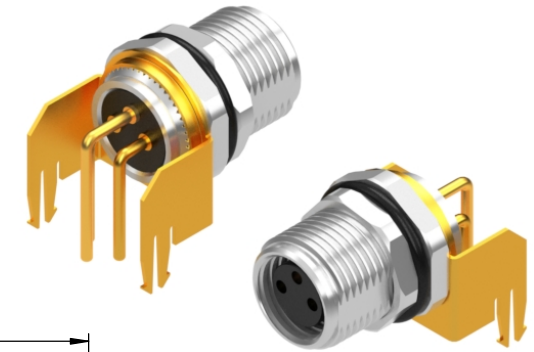
Dielectric strength: 1 min @ 500 Vac
Insulation resistance: 100 MΩ @ 500 Vdc
Contact resistance: 10 mΩ or less

Mechanical Requirements

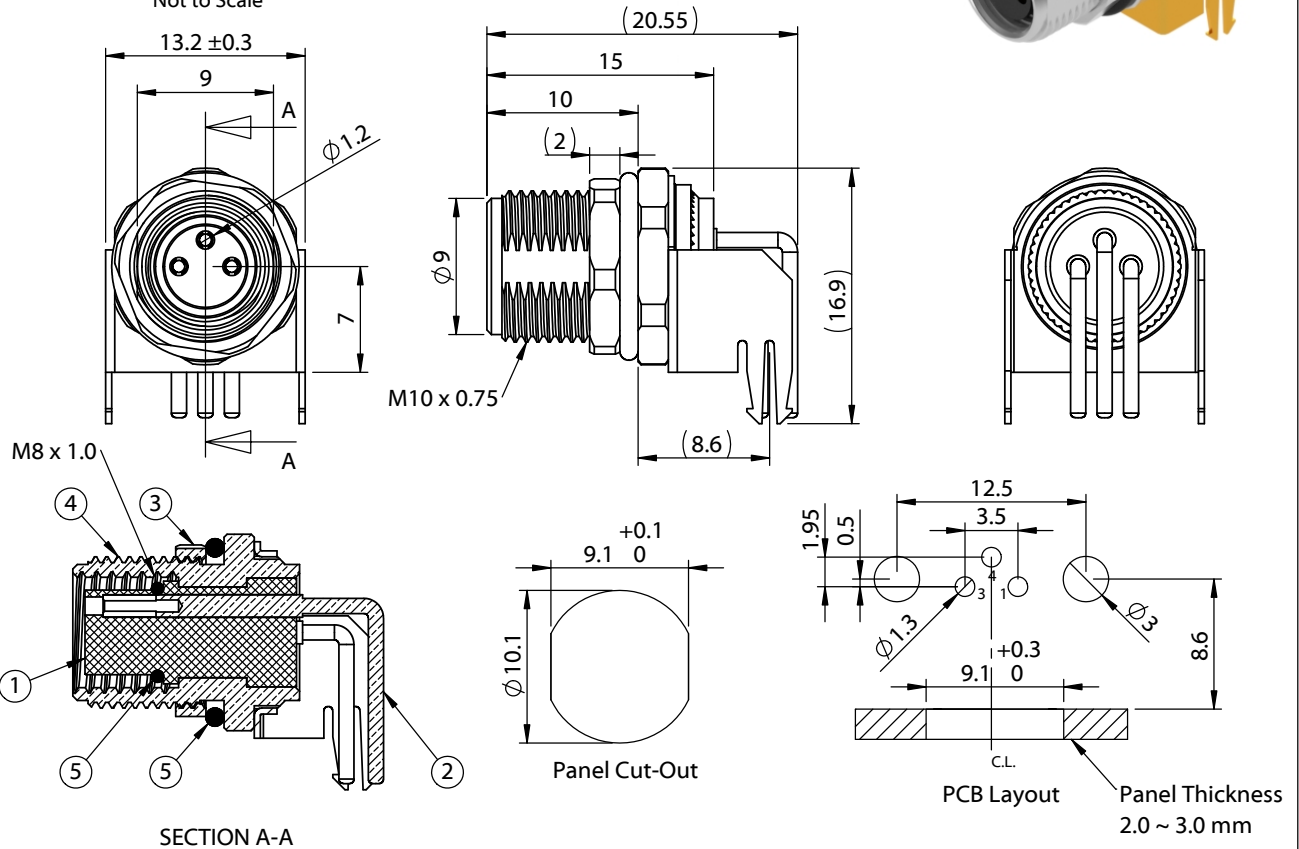
Life cycle: 1000 mating cycles minimum

Environmental Requirements

Salt spray test: 35 °C, relative humidity 90-95%, 5% NaCl mist for 24 hrs. Wash parts after test. Maintain mechanical requirements and a contact resistance of less than 10 mΩ. Waterproof: IP67 (in mated state). IP67 panel ingress requires sealing cap



Front View
Not to Scale



Revision:	Date:	Description:
A	8/23/21	Initial Release

Prepared: AG <small>Digitally signed by AG Date: 2023.06.20 13:44:07 -07'00'</small>
Verified: PB <small>Digitally signed by PB Date: 2023.06.20 16:45:50 -07'00'</small>
Dimensions are in millimeters. Tolerances: X: ± 0.3 mm X.X: ± 0.1 mm X.XX: ± 0.05 mm

Notes: RoHS compliant
Function test: no open, no short circuit, no intermittent
Description: Connector, 3 pin M8 A-code socket, 8x20.55 mm, gold plated, PCB mount, 90°, IP67

<h1>TENSILITY</h1>	
<small>tel 1.541.323.3228 800 877.670.7118 fax 1.541.323.4202 web tensility.com</small>	
Size: A	Part number: 54-00273
Scale: 2:1	
Sheet 1 of 1	