

Inductors

3D transponder coils
Size 11.5 × 12.5 × 3.6 (mm)

Series/Type: **B82453C*A**

Date: October 2019

Transponder coils
B82453C*A
Size 11.5 x 12.5 x 3.6 (mm)
3D transponder coil
SMD
Rated inductance 4.75 ... 13.2 mH
Sensitivity 45 ... 83 mV/μT
Construction

- Special core geometry
- Ferrite core with stability in temperature
- Laser-welded
- High thermal class wire
- Flame-retardant molding


Features

- Long receiving distance at 125 kHz
- Qualified to AEC-Q200
- High sensitivity in all orientations (X/Y/Z)
- Suitable for pick and place and AOI (Automatic Optical Inspection)
- Suitable for lead-free reflow soldering as referenced in JEDEC J-STD 020E
- RoHS-compatible

Applications

- Passive entry, passive start (PEPS): wake-up and immobilizer LF antenna coil

Terminals

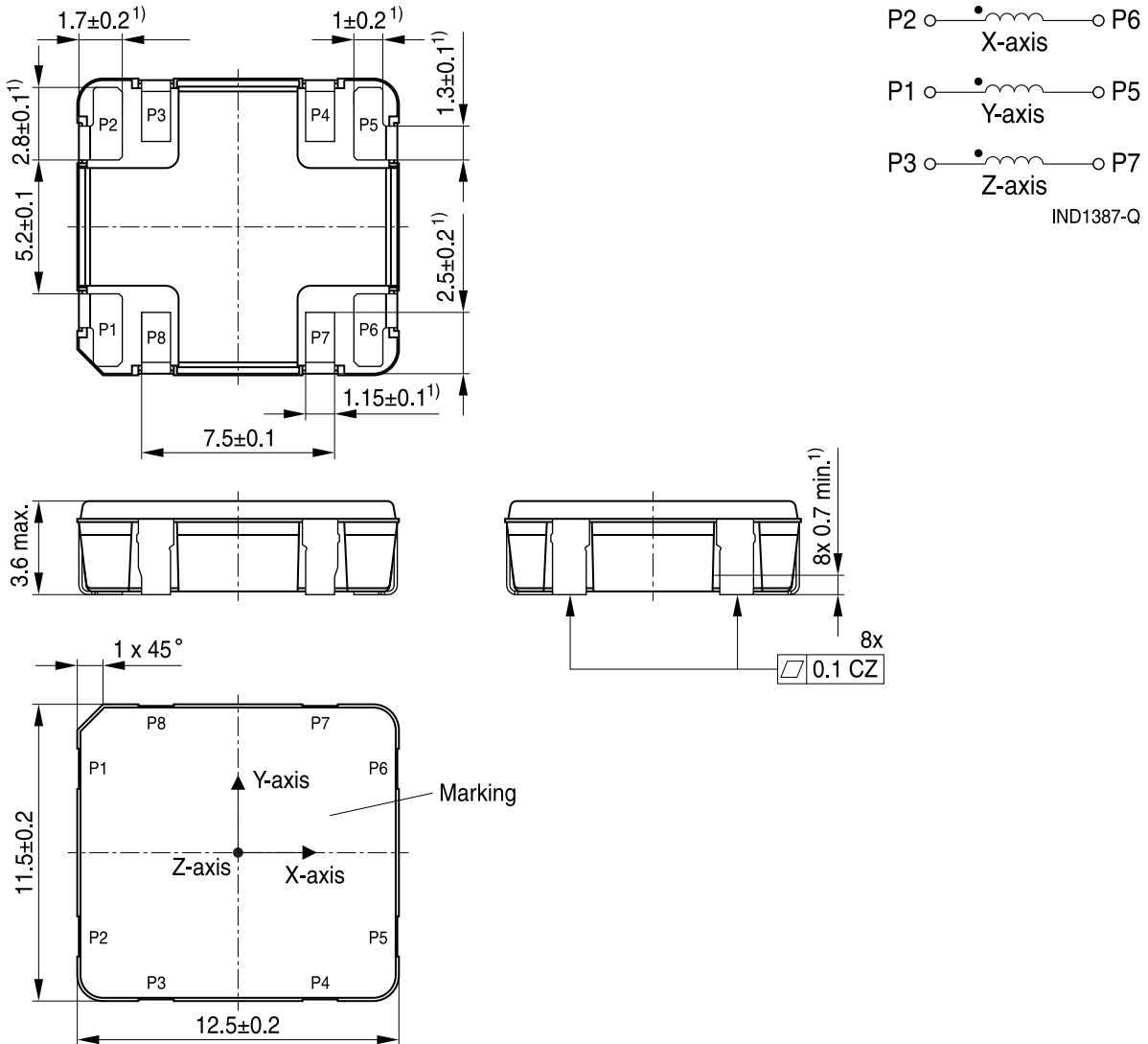
- Base material CuSn4
- Layer composition Sn (lead-free)
- Lead-free tinned

Delivery mode and packing unit

- 24-mm blister tape, wound on 330-mm Ø reel
- Packing unit: 900 pcs./reel

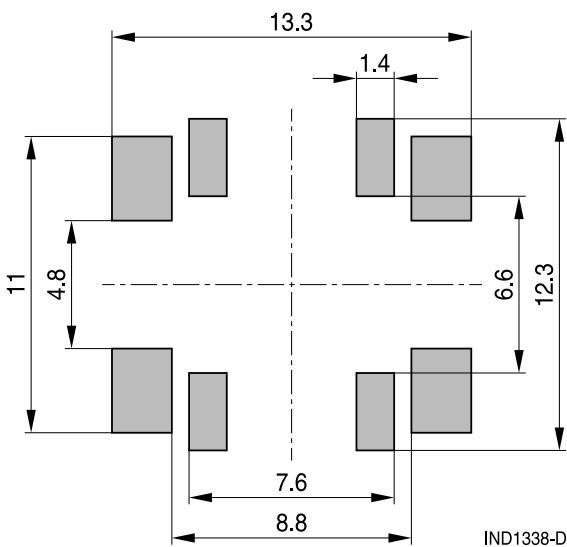
SMD

Dimensional drawing and layout recommendation



1) Soldering area
 Dimensions in mm

IND1334-9-E

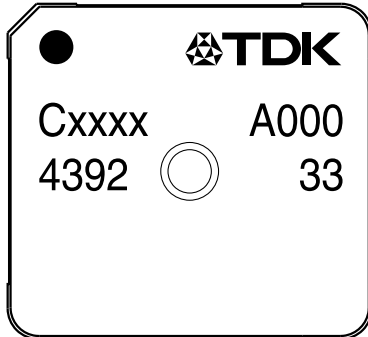


Dimensions in mm

Transponder coils	B82453C*A
Size 11.5 x 12.5 x 3.6 (mm)	3D transponder coil

SMD

Marking



IND1389-S

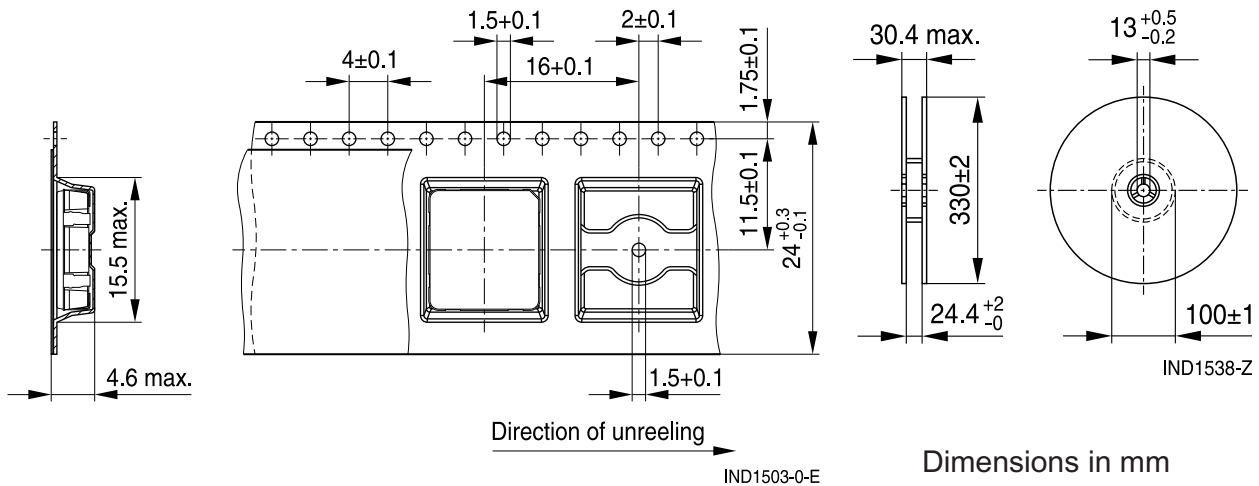
- ① Cxxxx A000
- 4 39 2 33
- ② ③ ④ ⑤

①	Last 9 characters of the ordering code	9 characters/digits							
②	Year (10 years cycle): 2011 -> 1 2012 -> 2 ... 2020 -> 0	1 digit							
③	Calendar week: 01 ... 53	2 digits							
④	Day of the week:	1 digit							
	Day		Sun	Mon	Tue	Wed	Thu	Fri	Sat
	Code		0	1	2	3	4	5	6
⑤	Last 2 digits of the Lot No. (eg. "107865633" -> "33")	2 digits							

SMD
Taping and packing

Blister tape

Reel



Dimensions in mm

Technical data and measuring conditions

Rated inductance L_R	Measured with Agilent 4294A or equivalent at frequency f_L , RMS voltage 100 mV, +25 °C
L tolerance	±3%
Q factor Q_{typ}	Measured with Agilent 4294A or equivalent at frequency f_Q , RMS voltage 100 mV, +25 °C
Sensitivity S_{typ}	Measured with Helmholtz coil test setup at f_S
Resonance frequency $f_{res,min}$	Measured with Agilent 4294A or equivalent, RMS voltage 100 mV, +25 °C
DC resistance $R_{DC,max}$	Measured with Burster Resistomat 2328, +25 °C
f_L, f_Q, f_S	125 kHz
Solderability	Sn96.5Ag3.8Cu0.7: +(245 ±5) °C, 5 s Wetting of soldering area ≥ 95% (based on JEDEC J-STD 002D)
Resistance to soldering heat	245 °C, 30 s (as referenced in JEDEC J-STD 020E)
Climatic category	40/85/56 (to IEC 60068-1)
Storage conditions	Mounted: -40 °C ... +85 °C Packaged: -20 °C ... +40 °C, ≤ 75% RH
Weight	Approx. 1.7 g

Transponder coils
B82453C*A
Size 11.5 x 12.5 x 3.6 (mm)
3D transponder coil
SMD
Characteristics and ordering codes

Axis	L_R	Q_{typ} -10%/ +15%	S_{typ}	$f_{res,min}$	$R_{DC,max}$	Ordering code
	mH		$\frac{mV}{\mu T}$	kHz	Ω	
X	4.75	23.5	60	600	80	B82453C0300A000
Y	4.75	23.5	57	600	80	
Z	5.85	19.0	45	400	165	
X	4.75	23.5	60	600	80	B82453C0203A000
Y	4.75	24.5	57	600	80	
Z	7.20	19.5	50	400	165	
X	7.20	23.5	80	400	95	B82453C0275A000
Y	7.20	24.5	75	420	100	
Z	7.20	19.5	50	400	165	
X	6.30	23.5	75	440	90	B82453C0285A000
Y	6.30	24.5	70	460	90	
Z	9.00	19.5	63	360	190	
X	6.30	23.5	75	440	90	B82453C0301A000
Y	6.30	24.5	70	460	90	
Z	11.00	19.5	73	330	220	
X	6.75	23.5	77	430	92	B82453C0270A000
Y	6.75	24.5	73	450	95	
Z	13.20	19.5	83	300	250	

Characteristics and ordering codes for other L values available on request.

Cautions and warnings

- Please note the recommendations in our Inductors data book (latest edition) and in the data sheets.
 - Particular attention should be paid to the derating curves given there.
 - The soldering conditions should also be observed. Temperatures quoted in relation to wave soldering refer to the pin, not the housing.
- If the components are to be washed varnished it is necessary to check whether the washing varnish agent that is used has a negative effect on the wire insulation, any plastics that are used, or on glued joints. In particular, it is possible for washing varnish agent residues to have a negative effect in the long-term on wire insulation.
Washing processes may damage the product due to the possible static or cyclic mechanical loads (e.g. ultrasonic cleaning). They may cause cracks to develop on the product and its parts, which might lead to reduced reliability or lifetime.
- The following points must be observed if the components are potted in customer applications:
 - Many potting materials shrink as they harden. They therefore exert a pressure on the plastic housing or core. This pressure can have a deleterious effect on electrical properties, and in extreme cases can damage the core or plastic housing mechanically.
 - It is necessary to check whether the potting material used attacks or destroys the wire, wire insulation, plastics or glue.
 - The effect of the potting material can change the high-frequency behaviour of the components.
 - Many coating materials have a negative effect (chemically and mechanically) on the winding wires, insulation materials and connecting points. Customers are always obligated to determine whether and to what extent their coating materials influence the component.
Customers are responsible and bear all risk for the use of the coating material. TDK Electronics does not assume any liability for failures of our components that are caused by the coating material.
- Ceramics / Ferrites are sensitive to direct impact. This can cause the core material to flake, or lead to breakage of the core.
- Even for customer-specific products, conclusive validation of the component in the circuit can only be carried out by the customer.

Display of ordering codes for TDK Electronics products

The ordering code for one and the same product can be represented differently in data sheets, data books, other publications, on the company website, or in order-related documents such as shipping notes, order confirmations and product labels. **The varying representations of the ordering codes are due to different processes employed and do not affect the specifications of the respective products.** Detailed information can be found on the Internet under www.tdk-electronics.tdk.com/orderingcodes.

Important notes

The following applies to all products named in this publication:

1. Some parts of this publication contain **statements about the suitability of our products for certain areas of application**. These statements are based on our knowledge of typical requirements that are often placed on our products in the areas of application concerned. We nevertheless expressly point out **that such statements cannot be regarded as binding statements about the suitability of our products for a particular customer application**. As a rule, we are either unfamiliar with individual customer applications or less familiar with them than the customers themselves. For these reasons, it is always ultimately incumbent on the customer to check and decide whether a product with the properties described in the product specification is suitable for use in a particular customer application.
2. We also point out that **in individual cases, a malfunction of electronic components or failure before the end of their usual service life cannot be completely ruled out in the current state of the art, even if they are operated as specified**. In customer applications requiring a very high level of operational safety and especially in customer applications in which the malfunction or failure of an electronic component could endanger human life or health (e.g. in accident prevention or life-saving systems), it must therefore be ensured by means of suitable design of the customer application or other action taken by the customer (e.g. installation of protective circuitry or redundancy) that no injury or damage is sustained by third parties in the event of malfunction or failure of an electronic component.
3. **The warnings, cautions and product-specific notes must be observed.**
4. In order to satisfy certain technical requirements, **some of the products described in this publication may contain substances subject to restrictions in certain jurisdictions (e.g. because they are classed as hazardous)**. Useful information on this will be found in our Material Data Sheets on the Internet (www.tdk-electronics.tdk.com/material). Should you have any more detailed questions, please contact our sales offices.
5. We constantly strive to improve our products. Consequently, **the products described in this publication may change from time to time**. The same is true of the corresponding product specifications. Please check therefore to what extent product descriptions and specifications contained in this publication are still applicable before or when you place an order.
We also **reserve the right to discontinue production and delivery of products**. Consequently, we cannot guarantee that all products named in this publication will always be available. The aforementioned does not apply in the case of individual agreements deviating from the foregoing for customer-specific products.
6. Unless otherwise agreed in individual contracts, **all orders are subject to our General Terms and Conditions of Supply**.

Important notes

7. **Our manufacturing sites serving the automotive business apply the IATF 16949 standard.**
The IATF certifications confirm our compliance with requirements regarding the quality management system in the automotive industry. Referring to customer requirements and customer specific requirements (“CSR”) TDK always has and will continue to have the policy of respecting individual agreements. Even if IATF 16949 may appear to support the acceptance of unilateral requirements, we hereby like to emphasize that **only requirements mutually agreed upon can and will be implemented in our Quality Management System.** For clarification purposes we like to point out that obligations from IATF 16949 shall only become legally binding if individually agreed upon.
8. The trade names EPCOS, CeraCharge, CeraDiode, CeraLink, CeraPad, CeraPlas, CSMP, CTVS, DeltaCap, DigiSiMic, ExoCore, FilterCap, FormFit, LeaXield, MiniBlue, MiniCell, MKD, MKK, MotorCap, PCC, PhaseCap, PhaseCube, PhaseMod, PhiCap, PowerHap, PQSine, PQvar, SIFERRIT, SIFI, SIKOREL, SilverCap, SIMDAD, SiMic, SIMID, SineFormer, SIOV, ThermoFuse, WindCap are **trademarks registered or pending** in Europe and in other countries. Further information will be found on the Internet at www.tdk-electronics.tdk.com/trademarks.

Release 2018-10