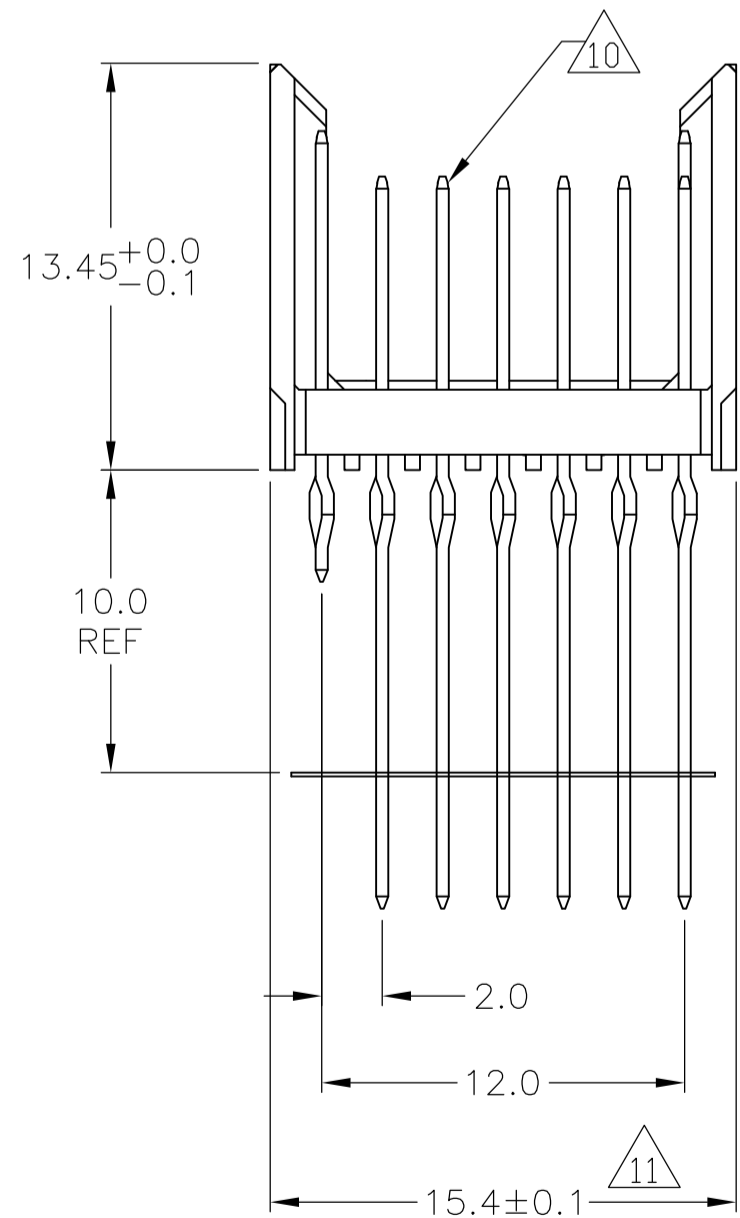
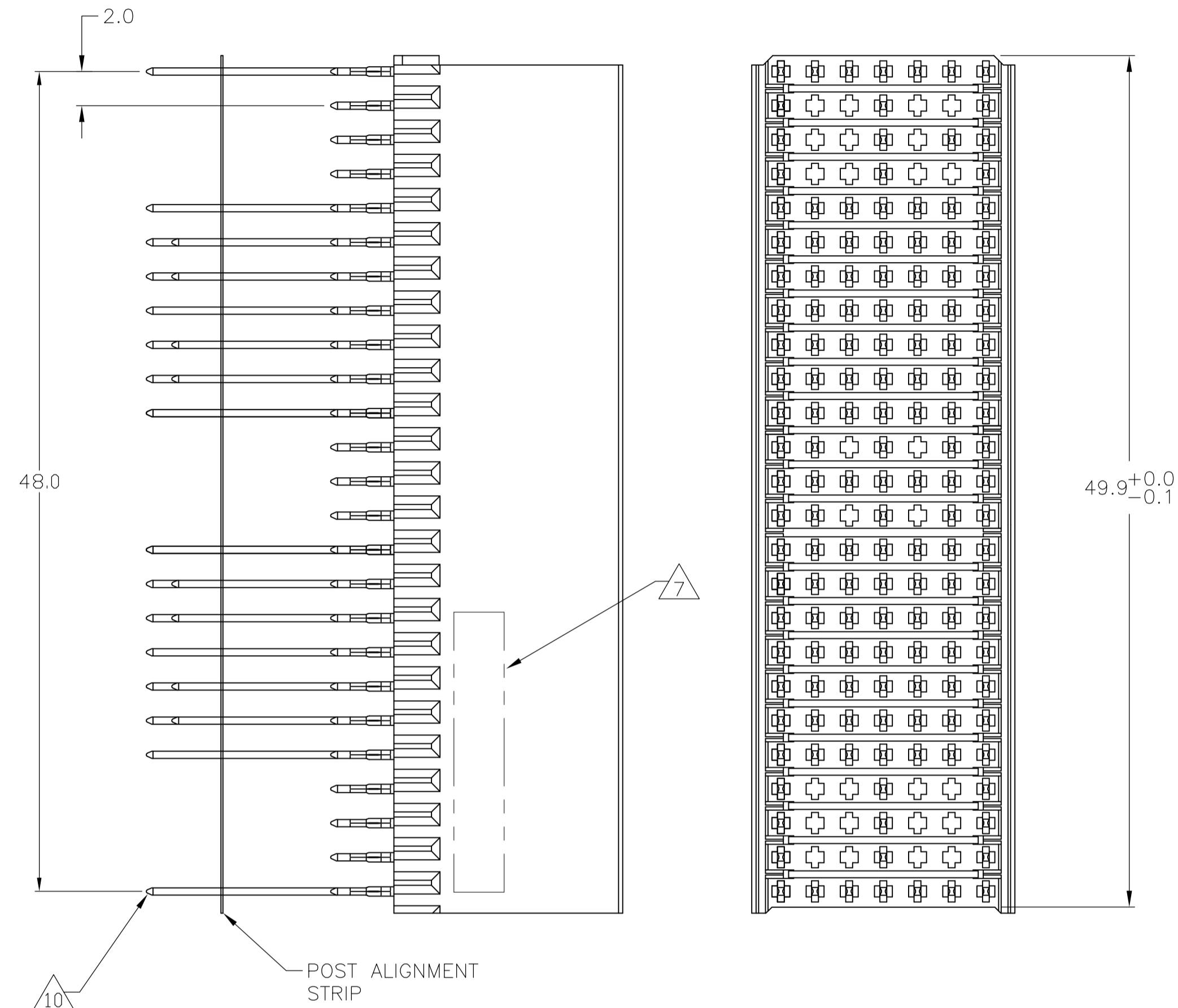
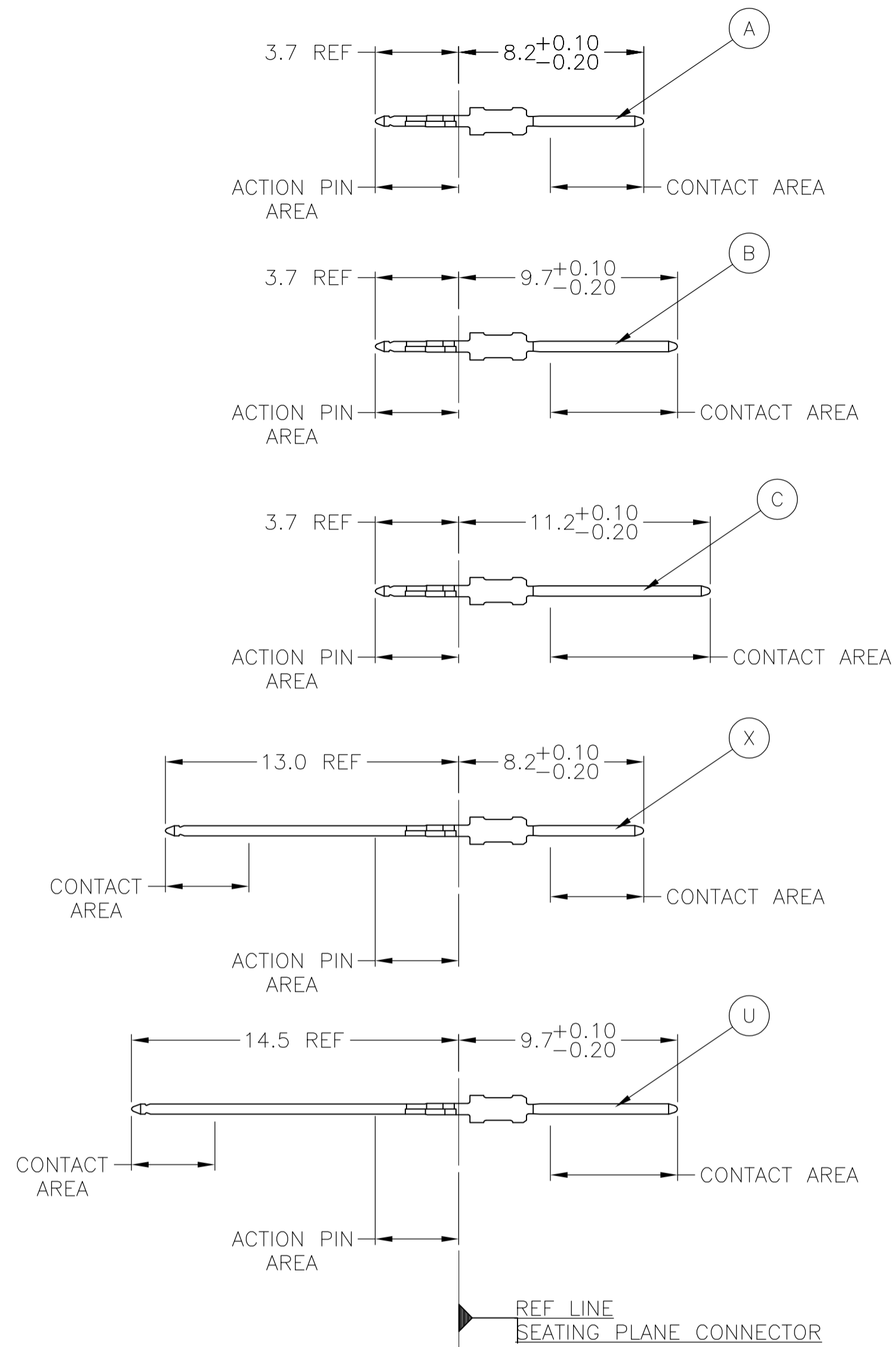


CONNECTOR ASSEMBLY EXAMPLARY LOADED



CONTACT DIMENSIONS

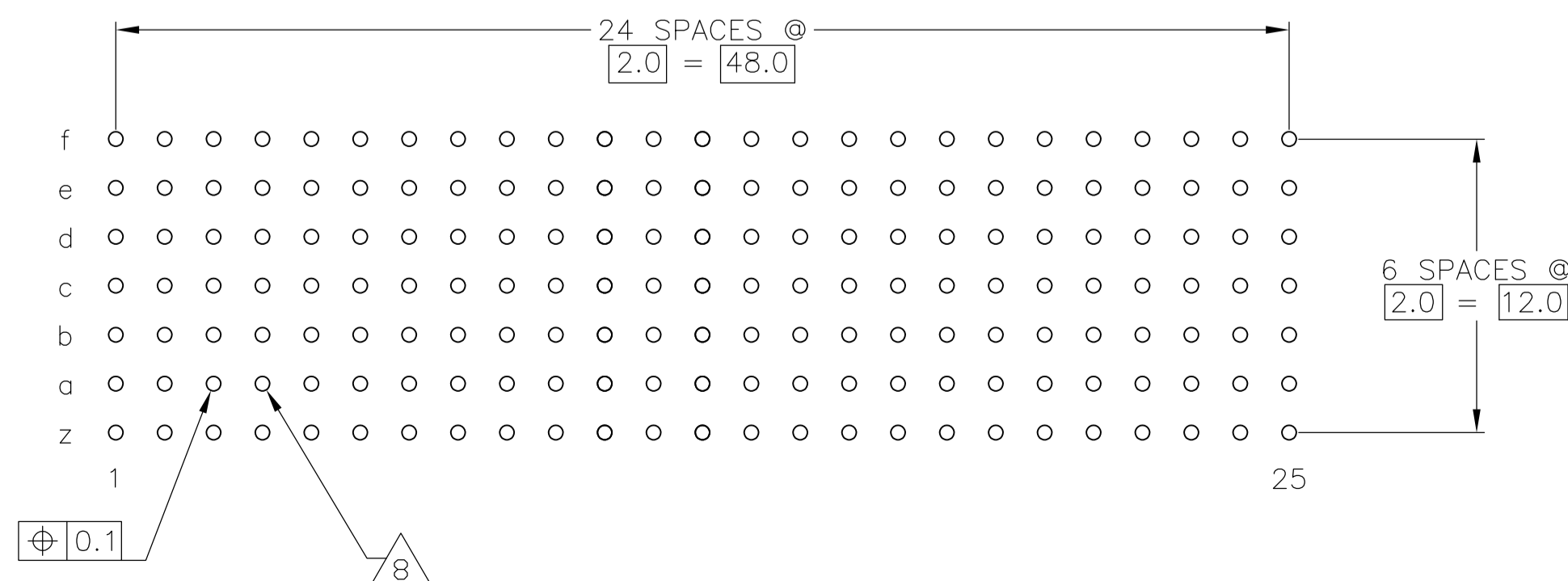
SCALE 5:1



CONTACT LAYOUT

	z	a	b	c	d	e	f
1	C	U	U	U	U	U	U
2	C			B			C
3	C			B		A	C
4	C			B			C
5	C	U	U	U	U	U	U
6	C	X	X	U	X	X	U
7	C	X	X	U	X	X	U
8	C	U	U	U	U	U	U
9	C	X	X	U	X	X	U
10	C	X	X	U	X	X	U
11	C	U	U	U	U	U	U
12	C	A		B		A	C
13	C	A	A	B	A	A	C
14	C	A		B		A	C
15	C	U	U	U	U	U	U
16	C	X	X	U	X	X	U
17	C	X	X	U	X	X	U
18	C	U	U	U	U	U	U
19	C	X	X	U	X	X	U
20	C	X	X	U	X	X	U
21	C	U	U	U	U	U	U
22	C			B			C
23	C			B			C
24	C			B			C
25	C	U	U	U	U	U	U

RECOMMENDED PCB-HOLE LAYOUT COMPONENT SIDE SHOWN



PLATED THRU HOLES PARAMETERS

REFERENCE APPLICATION SPECIFICATION

2	6	12	1-352626-9
2	5	12	352626-9
2	4	12	352626-4
2	3	12	352626-1
OBsolete			
FINISH			PART NUMBER


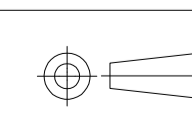
THIS DRAWING IS A CONTROLLED DOCUMENT.

DIMENSIONS: mm	TOLERANCES UNLESS OTHERWISE SPECIFIED:	DIN B CARBO 27JUL05	Tyco Electronics Corporation Harrisburg, Pa 17105-3608
0-PLC ±	±0.2	CHK G SKIPPER 27JUL05	NAME Tyco Electronics
1-PLC ±		APVD G SKIPPER 27JUL05	PRODUCT SPEC
2-PLC ±			108-19082
3-PLC ±			APPLICATION SPEC
4-PLC ±			114-19029
ANGLES			SIZE CAGE CODE DRAWING NO
MATERIAL	FINISH SEE TABLE	WEIGHT	A1 00779 C=352626
CUSTOMER DRAWING		SCALE 4:1	SHEET 1 OF 2 REV F

THIS DRAWING IS UNPUBLISHED. RELEASED FOR PUBLICATION
 © COPYRIGHT BY TYCO ELECTRONICS CORPORATION. ALL RIGHTS RESERVED.

LOC		DIST		REVISIONS				
P	LTR	DESCRIPTION	DATE	DN	APVO			
AD	00	SEE SHEET 1	-	-	-			

- 1 MATERIAL:
CONTACT: PHOSPHOR BRONZE.
HOUSING: GLASS-FILLED POLYESTER.
- 2 GENERAL PLATING SPECIFICATION: UNDERPLATING
(ENTIRE CONTACT): 1.27µm MIN NICKEL AND ACTION
PIN: 0.5µm MIN TIN/LEAD.
FOR PLATING OF MATING SURFACES SEE APPLICABLE
SPECIFICATION REFERENCE FOR EACH DASH NUMBER.
- 3 CONFORMS TO ALL TESTING ACCORDING TO IEC 61076-4-101
PERFORMANCE LEVEL 2.
- 4 CONFORMS TO ALL TESTING ACCORDING TO IEC 61076-4-101
PERFORMANCE LEVEL 1.
- 5 CONNECTOR TESTED AND QUALIFIED AGAINST TELCORDIA GR-1217-CORE QUALITY LEVEL 3,
CENTRAL OFFICE APPLICATIONS.
- 6 CONNECTOR TESTED AND QUALIFIED AGAINST TELCORDIA GR-1217-CORE QUALITY LEVEL 3,
UNCONTROLLED ENVIROMENT APPLICATIONS.
- 7 CONNECTOR MARKED WITH PART NUMBER AND DATE CODE.
ADDITIONAL CHARACTERS OR MARKINGS, AS WELL AS THE LOCATION OF THE MARKINGS,
MAY BE ADDED FOR TRACEABILITY BASED UPON MANUFACTURERS DISCRETION.
- 8 PLATED-THROUGH HOLES AT 2x2mm SQUARE GRID
PATTERN DEFINED BY CONTACT LAYOUT.
- 9 FOR ACTUAL PIN LOADING SEE "CONTACT LAYOUT".
- 10 FOR ACTUAL PIN DIMENSIONS SEE "CONTACT DIMENSIONS".
- 11 TO BE MEASURED AT BOTTOM OF SHROUD.
- 12 CONNECTOR LUBRICATED WITH BELCORE APPROVED LUBRICANT,
TECHNICAL REFERENCE: TR-NWT-001217 ISSUE 1, SEP 1992.

THIS DRAWING IS A CONTROLLED DOCUMENT.		DIN B CARBO	27JUL05	 Tyco Electronics Corporation Harrisburg, Pa 17105-3608
		CHK G SKIPPER	27JUL05	
DIMENSIONS: mm		TOLERANCES UNLESS OTHERWISE SPECIFIED: 0-PLG ± 1-PLG ±0.1 2-PLG ± 3-PLG ± 4-PLG ± ANGLES ±		APVO G SKIPPER 27JUL05 NAME MALE ASSEMBLY, Z-PACK 2mm HM, TYPE B
		PRODUCT SPEC 108-19082 APPLICATION SPEC 114-19029		SIZE A1 CAGE CODE 00779 DRAWING NO C=352626 RESTRICTED TO -
MATERIAL SEE SHEET 1	FINISH SEE SHEET 1	WEIGHT -	CUSTOMER DRAWING	SCALE 4:1 SHEET 2 OF 2 REV F