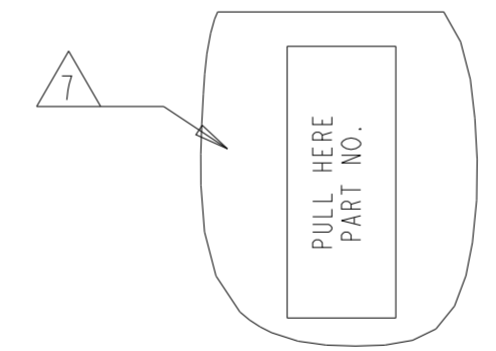
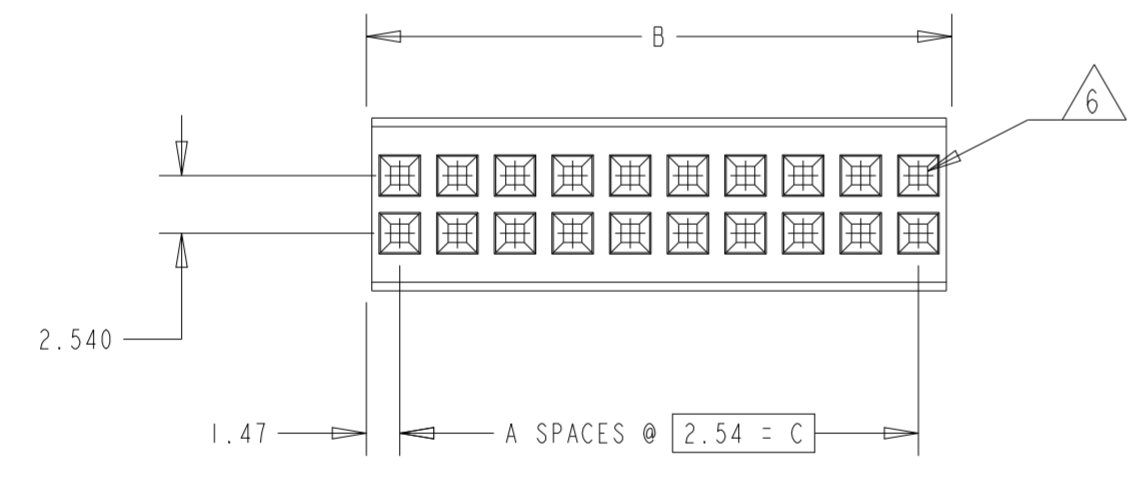
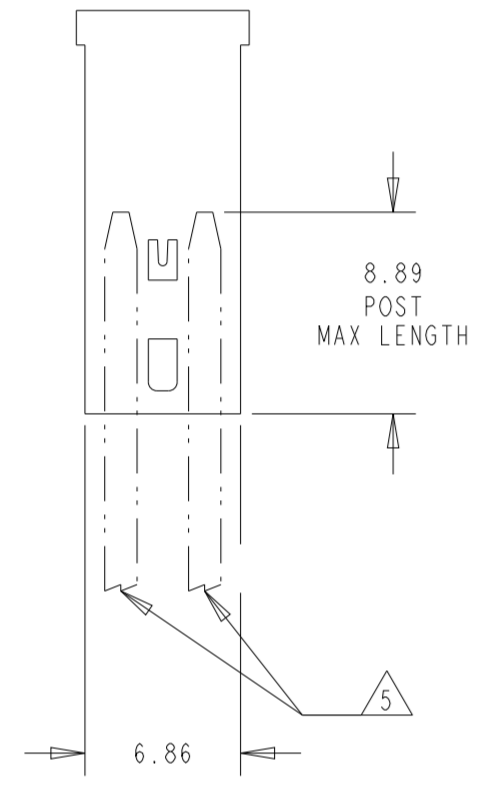
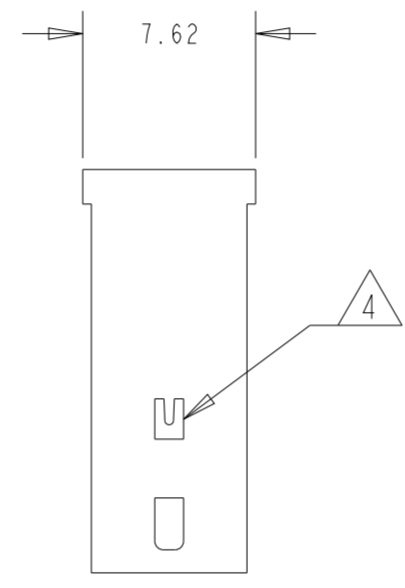
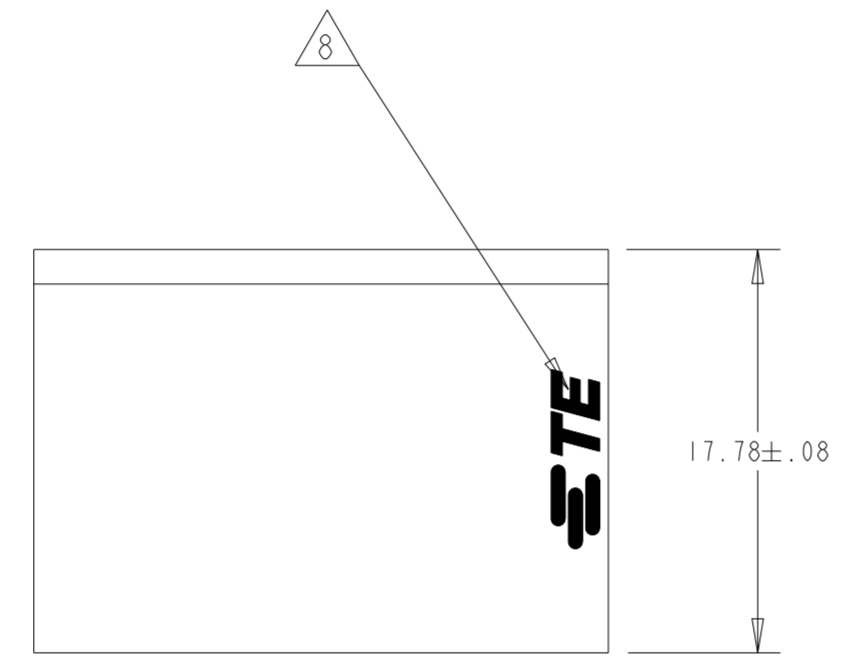
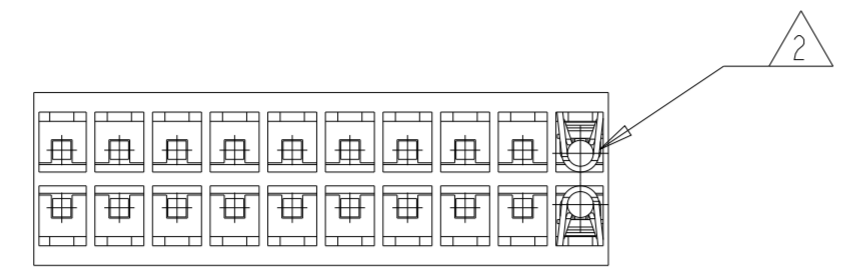


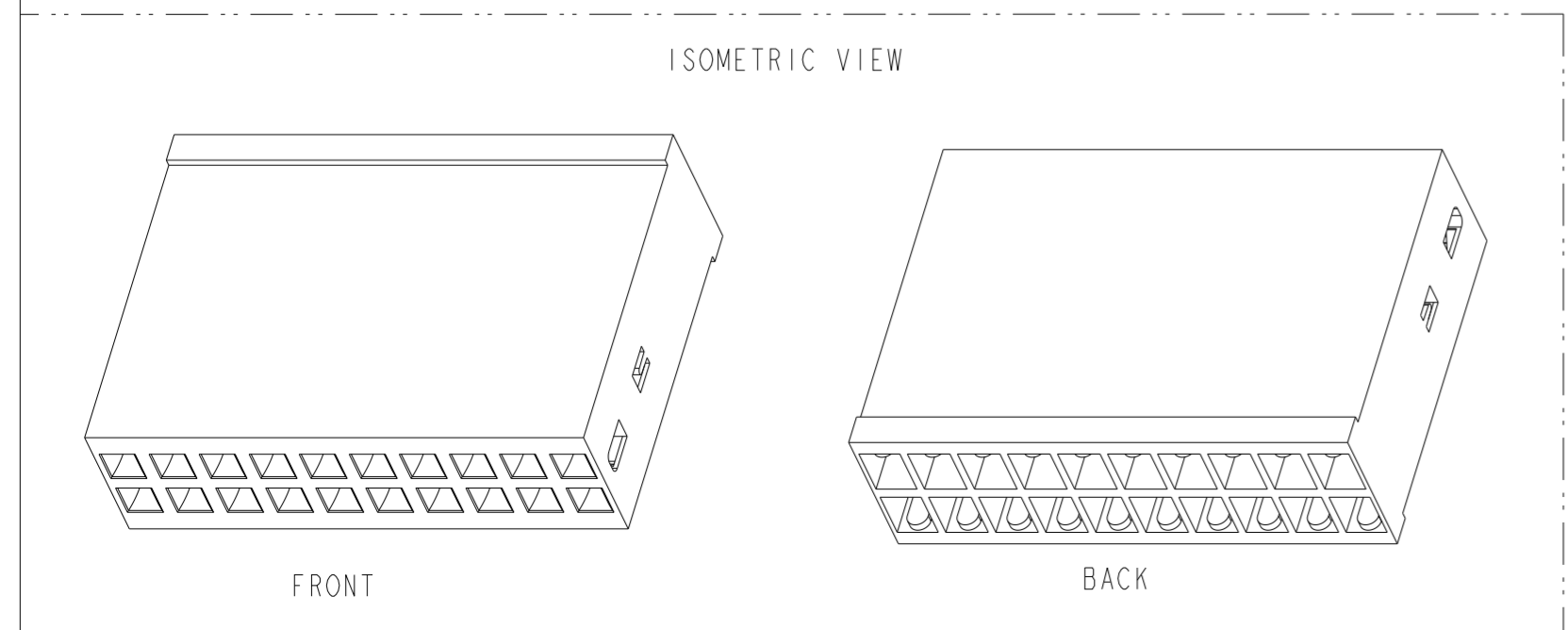
© copyright_date

REVISIONS					
P	LTR	DESCRIPTION	DATE	DWN	APVD
R		REVISED PER ECO-18-000976	17MAY2018	RS	JO
RI		REVISED PER ECO-19-016615	05NOV2019	RS	JO
S		REVISED PER ECR-22-137476	07SEPT2022	SD	SD

1. PULL ON HOUSING TO REMOVE FROM POSTS. DO NOT CONFINE THE CONDUCTORS OR PULL ON THE CONDUCTORS DURING REMOVAL ACTION.
2. ACCEPTS CONTACT P/N 87124.
4. EXTRACTION SLOT MAY BE PARTIALLY FLASHED OVER ONE END ONLY.
5. 0.62 SQUARE POST SHOWN FOR REFERENCE ONLY.
6. CAVITY ACCEPTS 0.62 SQUARE POST (TYPICAL).
7. MARKED AS SHOWN IN APPROXIMATE CENTER OF HOUSING. 'PULL HERE' AND 'PART NO.' WILL APPEAR ON HOUSINGS 6 POSITIONS AND LARGER.
8. TE LOGO MOLDED IN TEXTURED AREA, AREA RAISED 0.0076 - 0.0178 HIGH AND MAY BE ON EITHER SIDE OF THE PART.



REMARKS	C	A	B	NO. OF POSITION	PART NUMBER
STAMPED	15.73	6	18.68	14	1-87133-8
UNSTAMPED	15.73	6	18.68	14	1-87133-7
STAMPED	20.32	8	23.27	18	1-87133-6
UNSTAMPED	20.32	8	23.27	18	1-87133-5
STAMPED	17.78	7	20.73	16	1-87133-4
UNSTAMPED	17.78	7	20.73	16	1-87133-3
STAMPED	12.70	5	15.65	12	1-87133-2
UNSTAMPED	12.70	5	15.65	12	1-87133-1
STAMPED	7.62	3	10.57	8	1-87133-0
UNSTAMPED	7.62	3	10.57	8	87133-9
STAMPED	5.08	2	8.03	6	87133-8
UNSTAMPED	5.08	2	8.03	6	87133-7
STAMPED	22.86	9	25.81	20	87133-6
STAMPED	10.16	4	13.11	10	87133-5
STAMPED	2.54	1	5.49	4	87133-4
UNSTAMPED	22.86	9	25.81	20	87133-3
UNSTAMPED	10.16	4	13.11	10	87133-2
UNSTAMPED	2.54	1	5.49	4	87133-1



THIS DRAWING IS A CONTROLLED DOCUMENT.

DWN R BROWN 27OCT2006
 CHK M MILLER 27OCT2006
 APVD M MILLER 27OCT2006

STE TE Connectivity

NAME HOUSING, LOCKING CLIP, 0.64 SOR POST 2.54 CL, CLOSED END

PRODUCT SPEC -
 APPLICATION SPEC -
 MATERIAL -
 FINISH -

SIZE A2 CAGE CODE 0079 DRAWING NO. C-87133 RESTRICTED TO -
 WEIGHT -
 CUSTOMER DRAWING SCALE 3:1 SHEET 1 OF 1 REV S