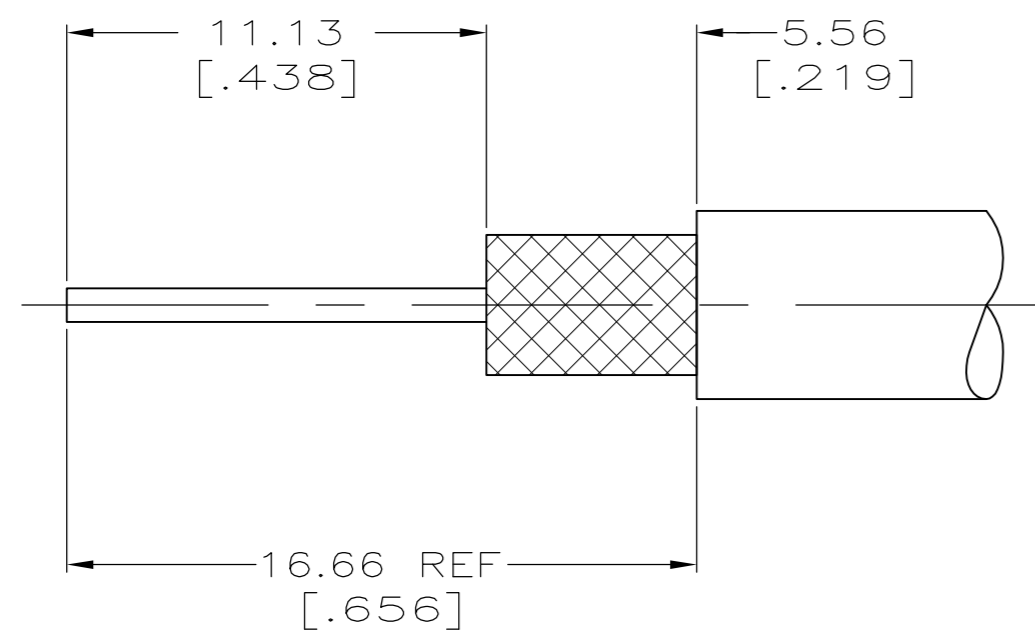


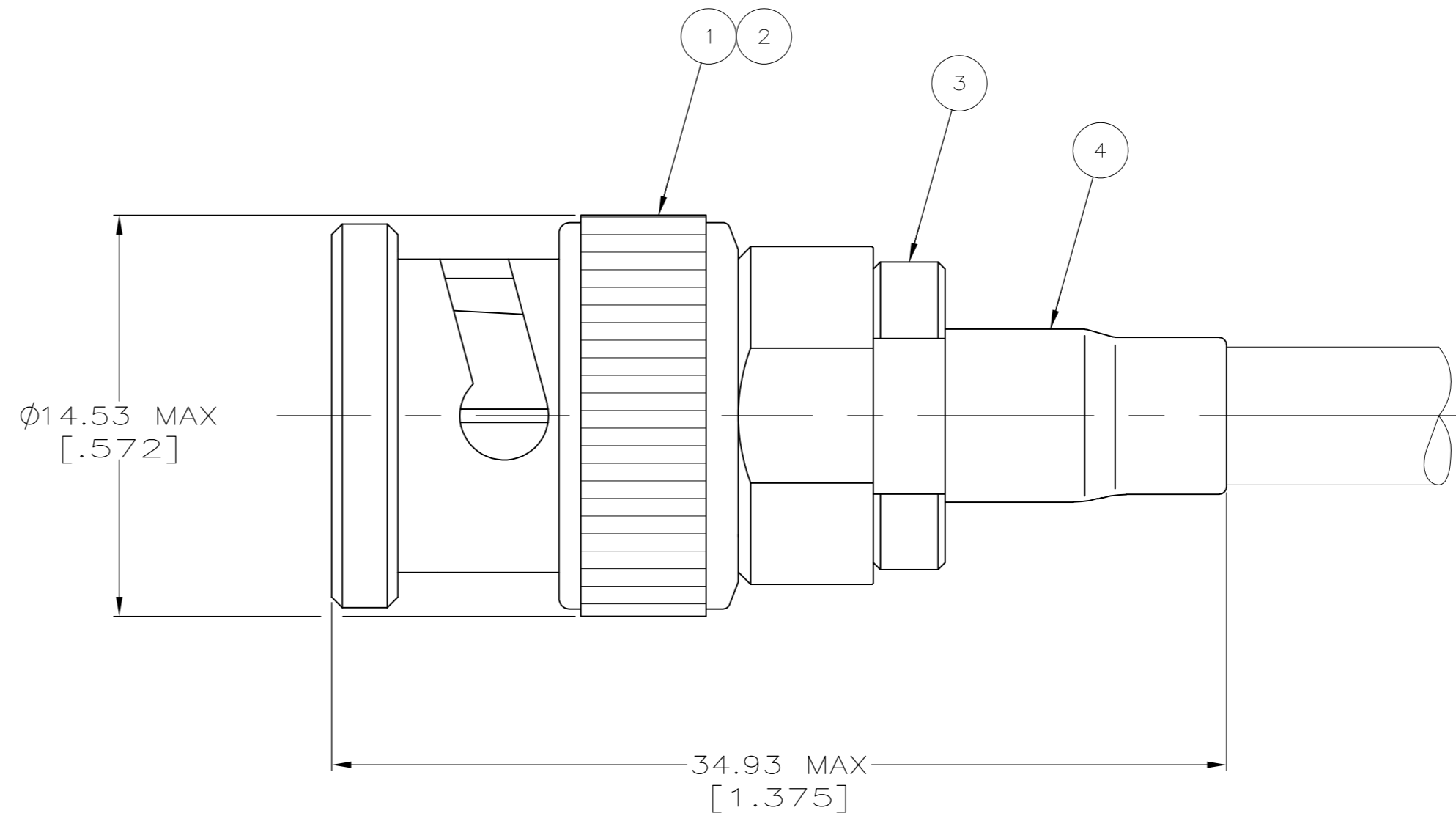
THIS DRAWING IS UNPUBLISHED. RELEASED FOR PUBLICATION
 © COPYRIGHT - By - ALL RIGHTS RESERVED.

REVISIONS					
P	LTR	DESCRIPTION	DATE	DWN	APVD
N		REVISED PER ECR-16-003354	16MAR2016	LN	RS

- 1. CRIMP TOOL: 69140-1
- ② WEIGHT: .412 OZ
- 3. SEE I.S. 1799-1



RECOMMENDED STRIP LENGTH



SUPSD BY: 2-5329082-1	RG-58/U,58A/U,58B/U & 58C/U	328663	50780	2-329106-1	9-329327-0	9-329082-0
SUPSD BY: 2-329444-2	-	-	-	-	-	2-329082-2
	RG-58/U,58A/U,58B/U & 58C/U	9-328663-0	9-50780-5	2-329106-1	329327	2-329082-1
	CABLE SIZE	④ FERRULE QTY=1	③ CRIMP END ASSEMBLY QTY=1	② GASKET QTY=1	① PLUG ASSEMBLY QTY=1	PART NUMBER

THIS DRAWING IS A CONTROLLED DOCUMENT.

DWN	B. SCOTT	06-28-91
CHK	J. LIPPERT	7-30-91
APVD	-	-
PRODUCT SPEC	-	-
APPLICATION SPEC	-	-
WEIGHT	②	A2 00779 C=329082
CUSTOMER DRAWING	SCALE 5:1	SHEET 1 of 1

TE Connectivity
 PLUG, SERIES BNC
 RESTRICTED TO