

4

3

2

1

THIS DRAWING IS UNPUBLISHED.

RELEASED FOR PUBLICATION

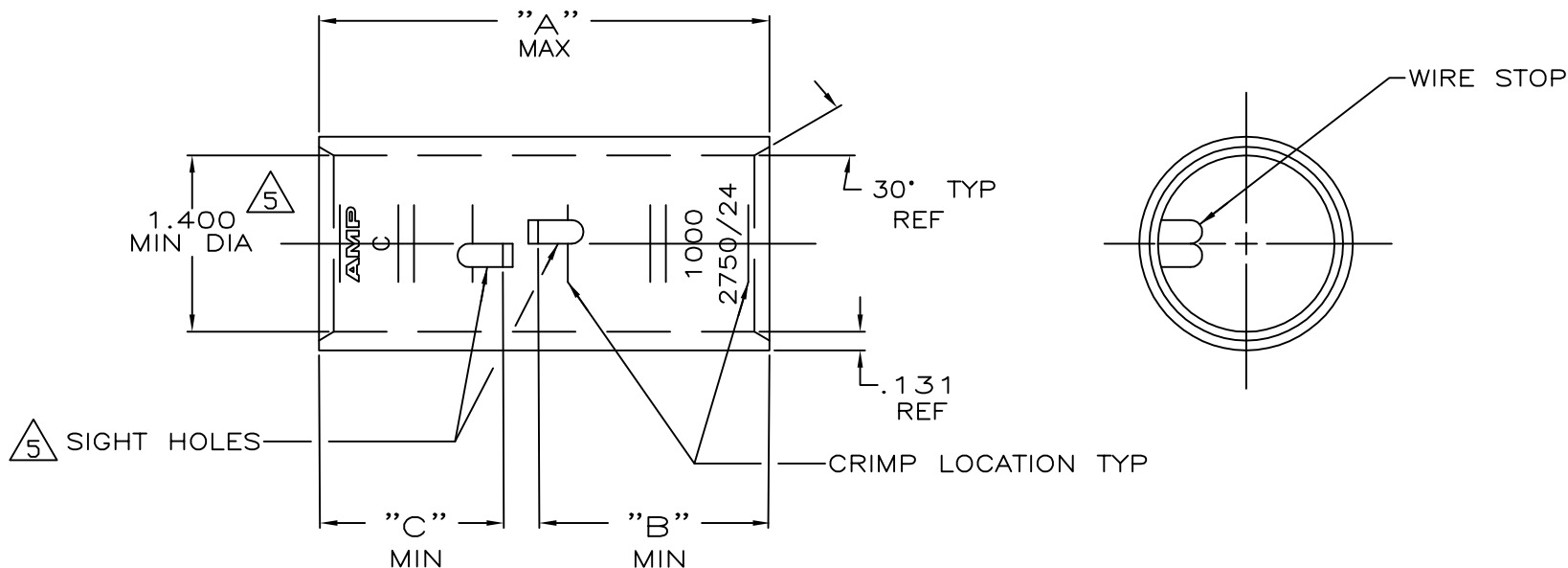
ALL RIGHTS RESERVED.

© COPYRIGHT - By -

LOC G DIST 86

REVISIONS

P	LTR	DESCRIPTION	DATE	DWN	APVD
	S	ECR-13-000998	11FEB2013	PK	HS



5 SIGHT HOLES

1 TIN PL .000150 MIN THK MIL-T 10727

2 WIRE RANGE: 950 - 1125 MCM

3 PART NO: 324471; .665 LB.
PART NO: 1-324471-0; .665 LB.
PART NO: 2-324471-1; .743 LB.

4 PREPRODUCTION - FASR REQ.

5 .045 MAX BURR ALLOWED INSIDE THE WIRE BARREL ID IN AREA OF SIGHT HOLE.

1.46	1.83	3.64	1	COPPER	4 2-324471-1
1.46	1.46	3.27	CLEANED	ASTM-B-75	1-324471-0
			1	ANNEALED	324471
"C"	"B"	"A"	FINISH	MATERIAL	PART No

THIS DRAWING IS A CONTROLLED DOCUMENT.

DWN DK SCHRUM 4/24/89		NAME SPLICE, BUTT, AMPOWER WIRE SIZE: 1000 MCM
CHK MS FEHER 4/24/89		
APVD WJ VOCKROTH 11/8/89		
PRODUCT SPEC		
MATERIAL SEE TABLE	FINISH SEE TABLE	APPLICATION SPEC
WEIGHT	SIZE A3	CAGE CODE 00779
CUSTOMER DRAWING	DRAWING NO C=324471	RESTRICTED TO
SCALE 1:1	SHEET 1 OF 1	REV S