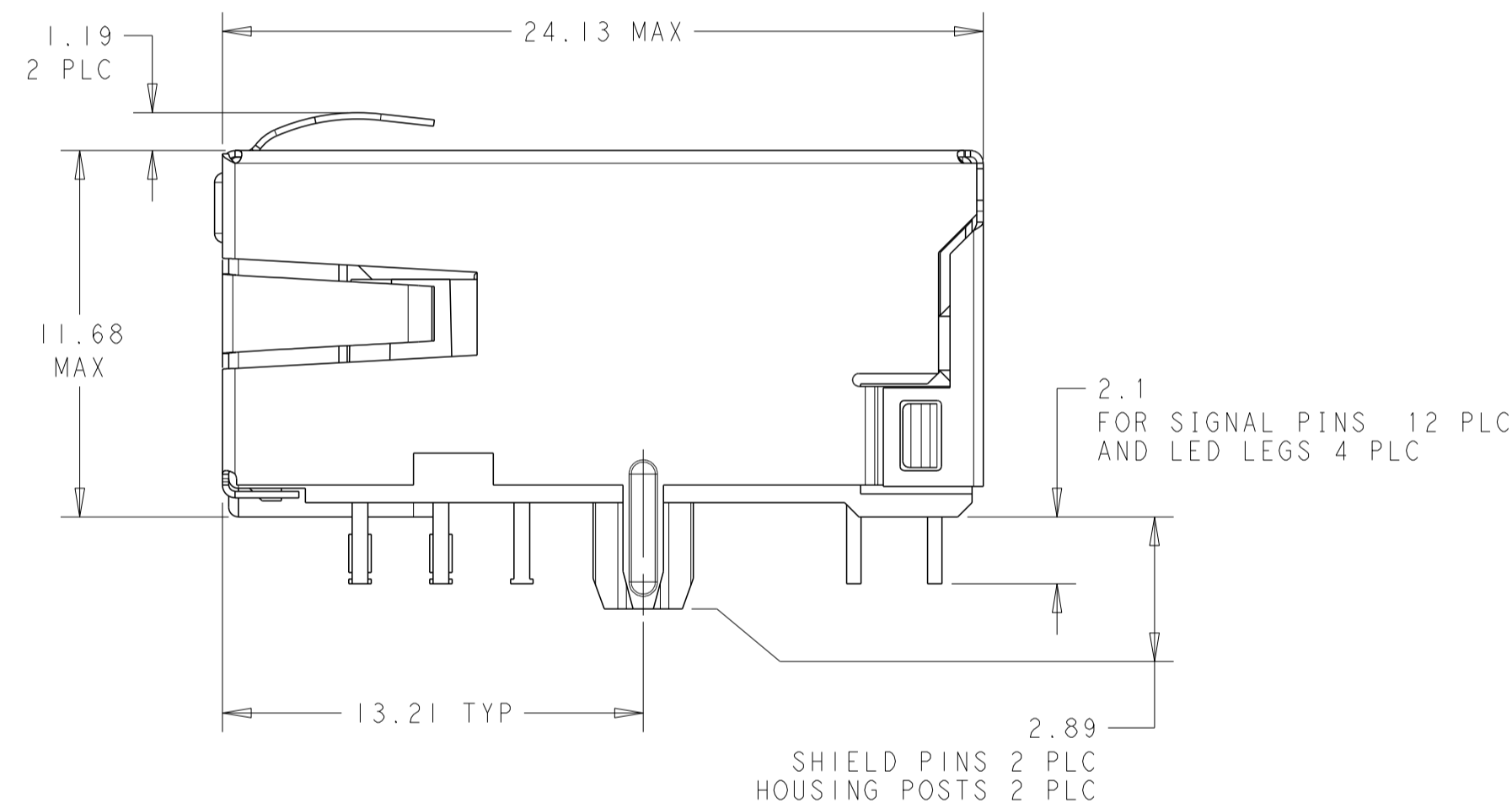
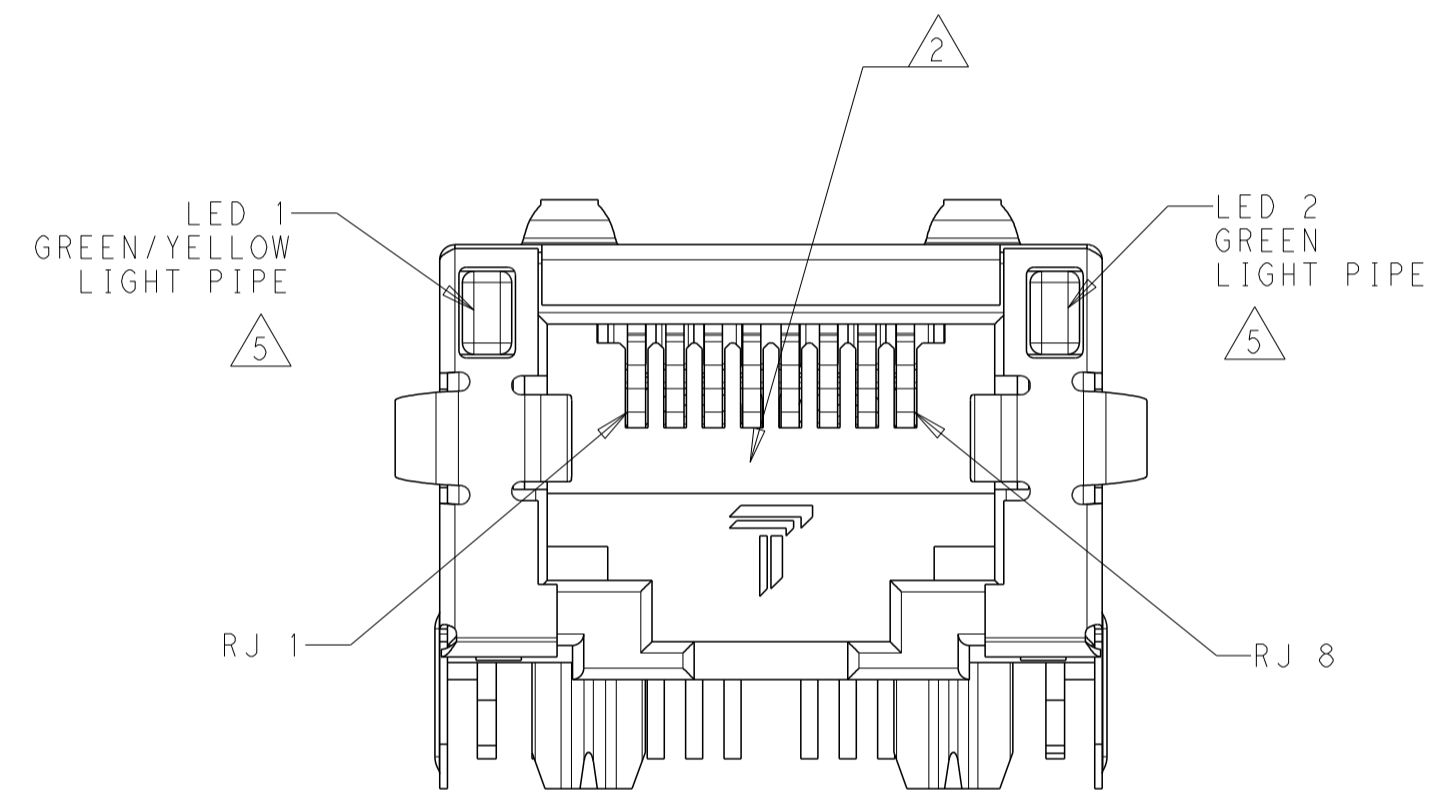
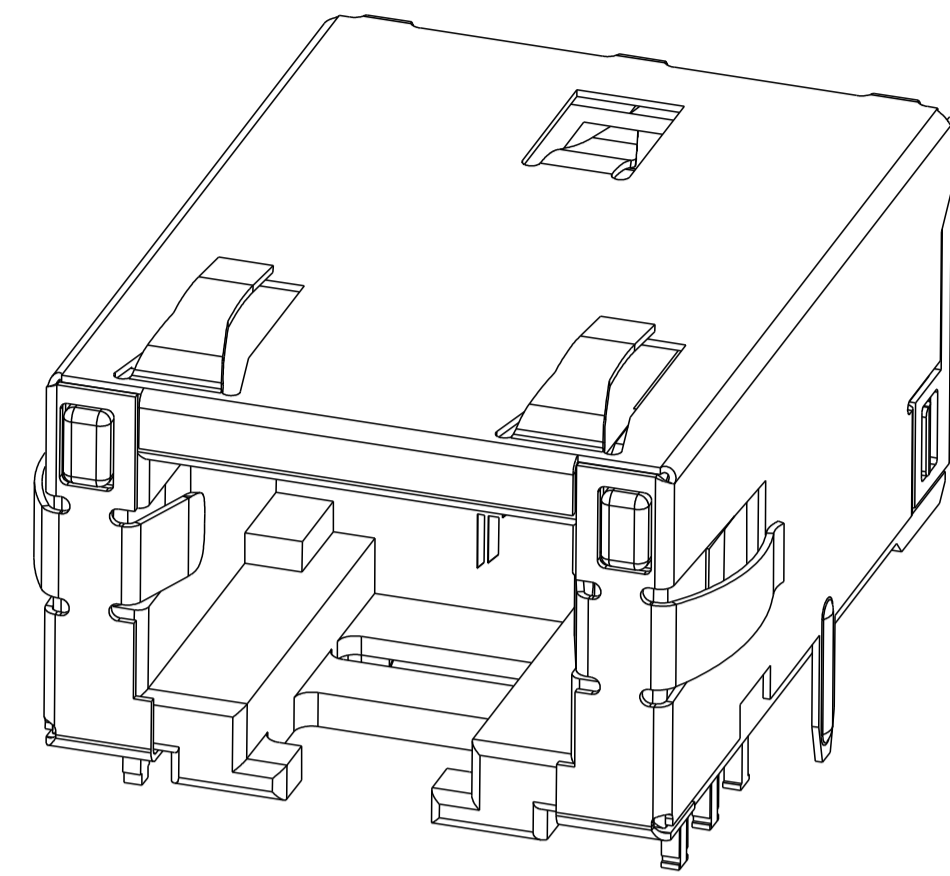
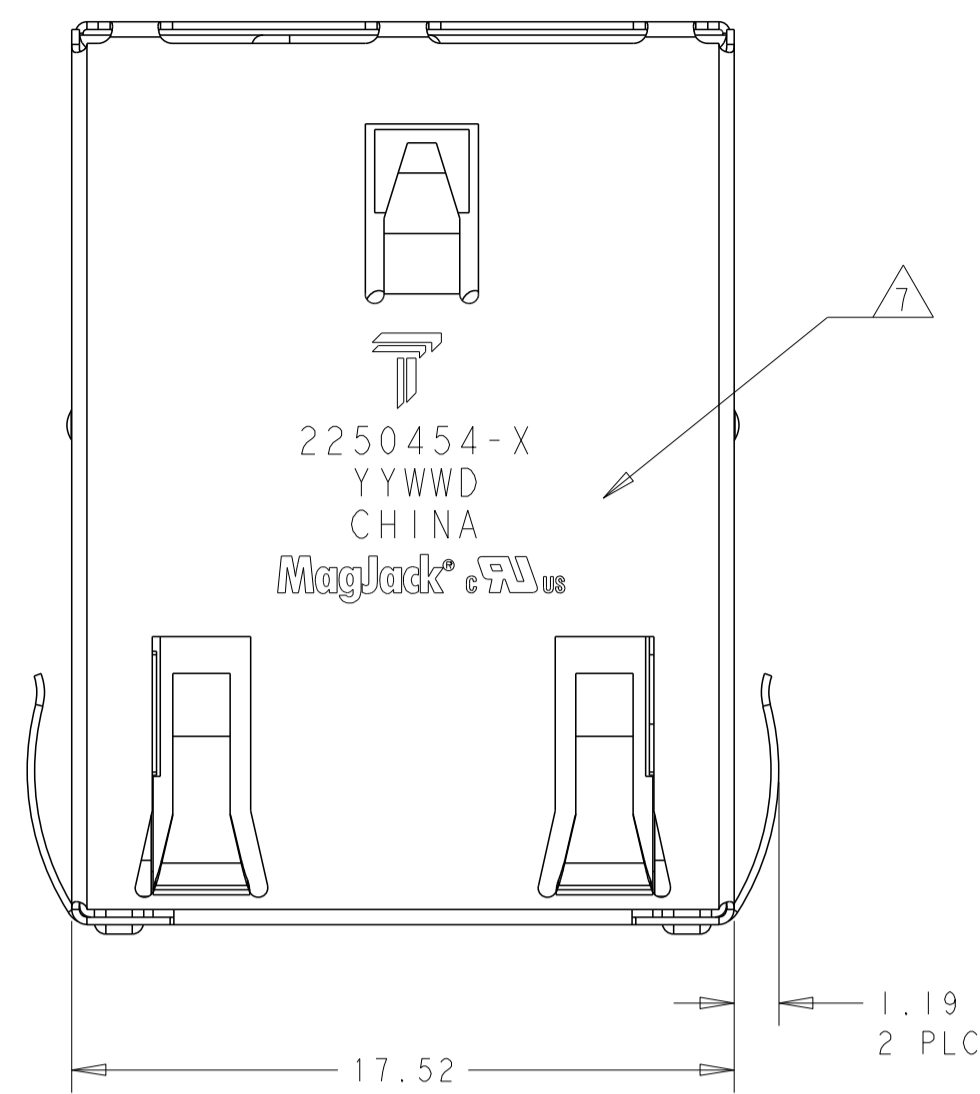


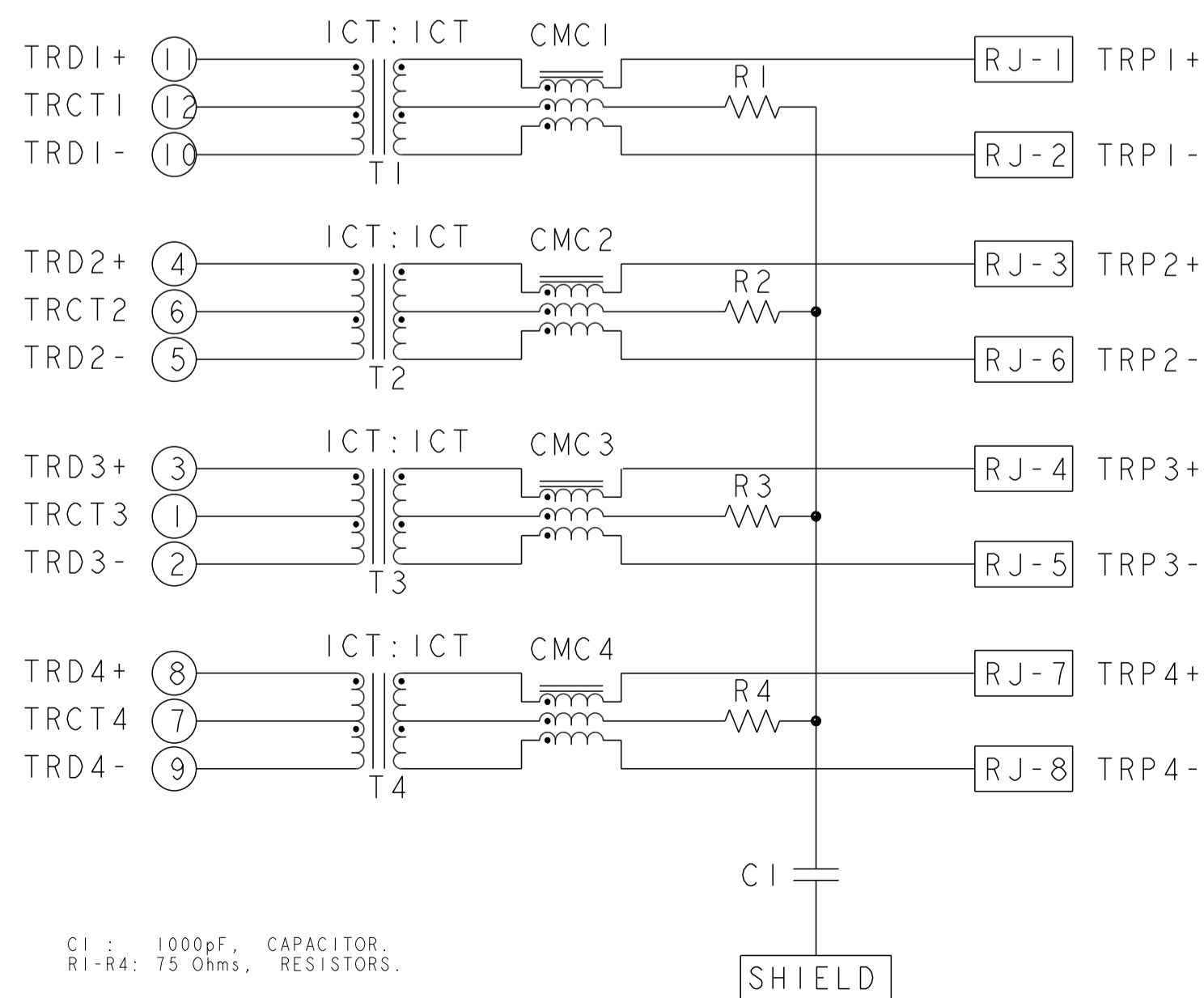
THIS DRAWING AND THE SUBJECT MATTER SHOWN THEREON ARE CONFIDENTIAL AND THE PROPERTY OF BEL/STEWART/TRP CONNECTOR AND SHALL NOT BE REPRODUCED, COPIED, OR USED IN ANY MANNER WITHOUT THE WRITTEN CONSENT OF TRP CONNECTOR.

PRODUCT MAY BE PROTECTED BY ONE OR MORE OF THE FOLLOWING US PATENTS:
 5736910 5939955 6425781 6428361 6554638 6840817 7123117
 7429195 7717749 7808751 6217391 6149050 7924130

REVISIONS				
P.	LTN	DESCRIPTION	DATE	APPV
4		SEE FINAL SHEET	22NOV2016	TRY TY



8G18 GIGABIT CIRCUIT



C1 : 1000pF, CAPACITOR.
 R1-R4: 75 Ohms, RESISTORS.

1. MATERIALS:

- HOUSING: HIGH TEMPERATURE NYLON, BLACK, UL 94V-0
- SHIELD: 0.20mm THICK, BRASS PREPLATED WITH 0.76 um MIN SEMI-BRIGHT NICKEL; POST-DIPPED WITH 2 um MIN TIN
- MOD JACK CONTACTS: 0.3mm THICK, PHOSPHOR BRONZE, 1.27 um MIN OVERALL NICKEL UNDERPLATE, WITH 1.27 um MIN LOCALIZED GOLD PLATE AT PLUG INTERFACE
- LIGHT EMITTING DIODE (LED): DIFFUSED EPOXY LENS, 0.5mm X 0.5mm CARBON STEEL WIREFRAME LEADS PREPLATED WITH 2.03um MIN. SILVER PLATE OVER 1.02um MIN. NICKEL OVER 1.02um MIN. COPPER UNDERPLATE; LEADS POST-PLATED WITH 3.05um MIN. MATTE TIN, DIPPED WITH 2 um MIN TIN
- LIGHT PIPE: POLYETHER SULFONE

RJ45 JACK CAVITY CONFORMS TO FCC RULES AND REGULATIONS PART 68, SUB-PART F.

3. MAGNETICS:

- APPLICATION: 10/100/1000 BASE-T
- IMPEDANCE: 100 OHMS
- TURNS RATIO (CHIP:CABLE): 1:1 ALL FOUR PAIRS
- OPEN CIRCUIT INDUCTANCE (OCL): 350uH MIN @100kHz, 0.1VRMS, 8mADC BIAS FROM 0°C TO +70°C, ALL FOUR PAIRS
- ALL FOUR PAIRS BI-DIRECTIONAL
- PERFORMANCE @ 25°C:
 - INSERTION LOSS (IL): 1.1dB MAX FROM 0.5MHz TO 100MHz
 - RETURN LOSS (RL): 18dB MIN FROM 0.5MHz TO 40MHz
 - 12-20LOG(f/80)dB MIN FROM 40.1MHz TO 100MHz
 - CROSSTALK ATTENUATION: 35dB MIN FROM 0.5MHz TO 40MHz
 - 33-20LOG(f/50)dB MIN FROM 40.1MHz TO 100MHz
 - COMMON MODE REJECTION RATIO (CMRR): 30dB MIN FROM 0.5MHz TO 100MHz
- ISOLATION VOLTAGE: 2250 VDC FOR 60 SECONDS WITH A RISE TIME OF 500V/SEC

4. OPERATING TEMPERATURE: FROM 0°C TO +70°C

LIGHT PIPES ARE USED TO TRANSMIT LIGHT OF LED.
 LEDS ARE DRIVEN WITH CONSTANT CURRENT AT APPROX 20mA.
 LED COLOR: DOMINANT WAVELENGTH (λD): GREEN 568nm TYP. at IF=20mA
 FORWARD VOLTAGE (VF): GREEN 2.2V TYP. at IF=20mA
 DOMINANT WAVELENGTH (λD): YELLOW 588nm TYP. at IF=20mA
 FORWARD VOLTAGE (VF): YELLOW 2.1V TYP. at IF=20mA

6. ALL DIMENSIONS ARE NOMINAL UNLESS OTHERWISE NOTED.

TRP CONNECTOR LOGO, PART NUMBER, DATE CODE, COUNTRY OF ORIGIN, AND AGENCY APPROVAL MARKING IN APPROXIMATE LOCATION SHOWN. DATE CODE: YYWD WHERE YY IS YEAR, WW IS WORK WEEK, D IS DAY OF WEEK, WITH SUNDAY=1.

THE PART SHOULD BE COMPLIANT TO WAVE SOLDERING PROCESS, PREHEAT TEMPERATURE IS 120°C TO 160°C, 120 SECONDS TO 180 SECONDS, PEAK SOLDERING TEMPERATURE IS 260°C MAX, 10 SECONDS MAX

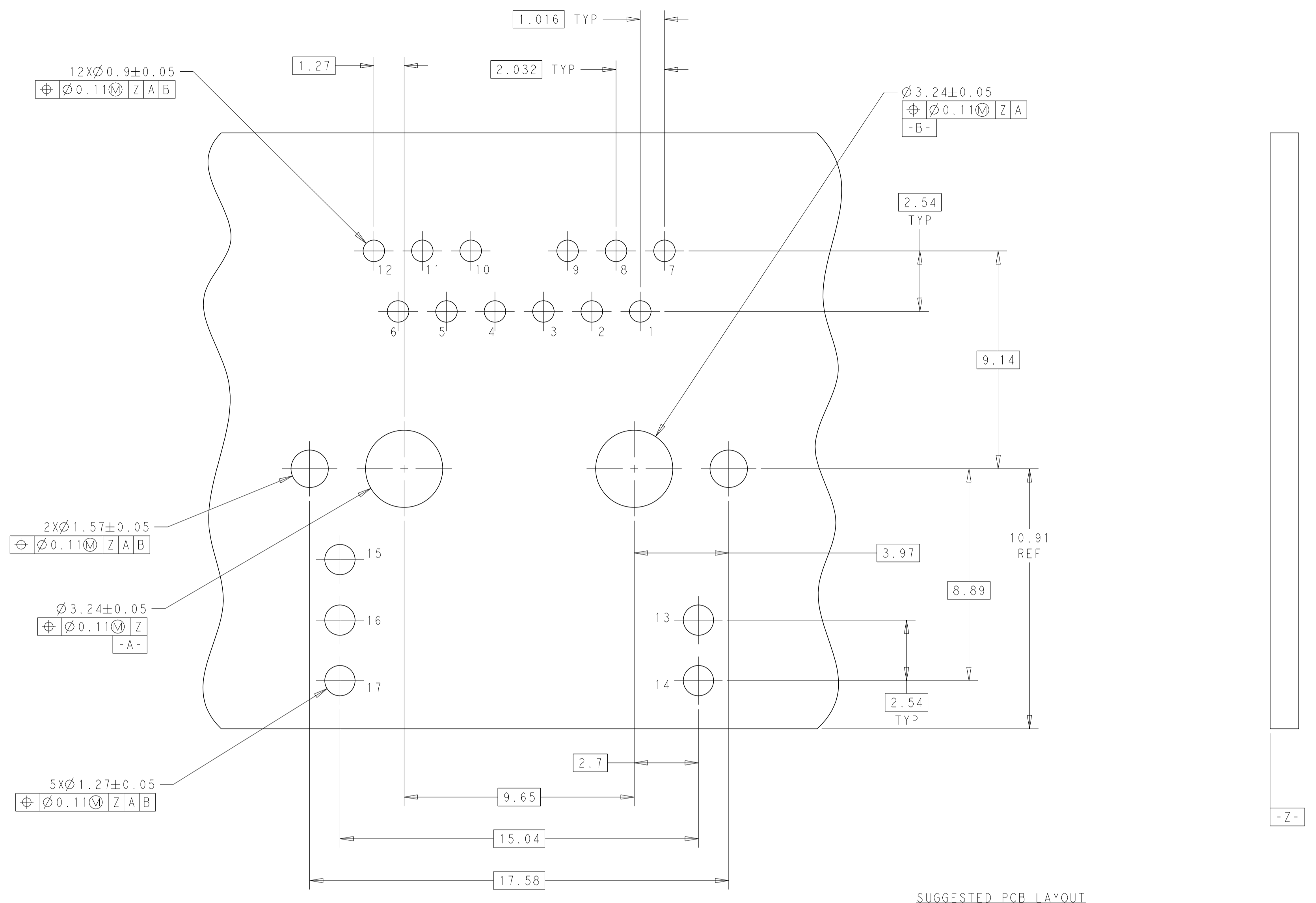
9. LOW HALOGEN SPEC(EXCEPT LIGHT PIPE):

- CHLORINE (CL) 900PPM MAX
- BROMINE (Br) 900PPM MAX
- TOTAL BROMINE AND CHLORINE (Br + CL) 1500PPM MAX
- LIGHT PIPE COMPLY WITH LOW HALOGEN SPECIFICATION "DIN VDE 0472"
- CHLORINE (CL) 1000PPM MAX
- BROMINE (Br) 1000PPM MAX
- TOTAL BROMINE AND CHLORINE (Br + CL) 2000PPM MAX

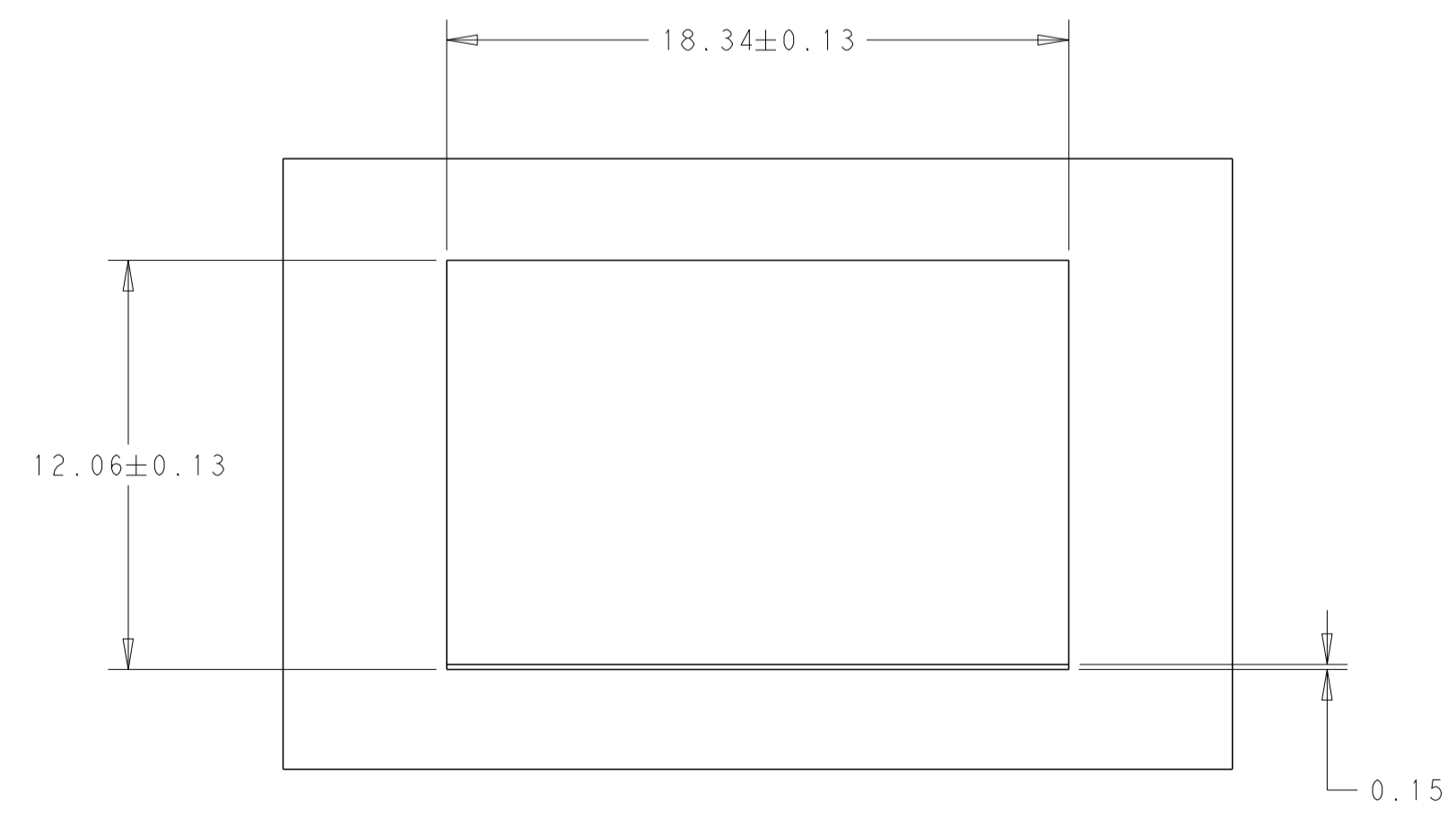
HALOGEN FREE

TAPE & REEL	WAVE	GREEN	YELLOW	GREEN	2250454-2
TRAY	WAVE	GREEN	YELLOW	GREEN	2250454-1
PACKAGE METHOD	SOLDERING PROCESS	16 → 17	16 → 15	14 → 13	PART NO.
		LED 1		LED 2	

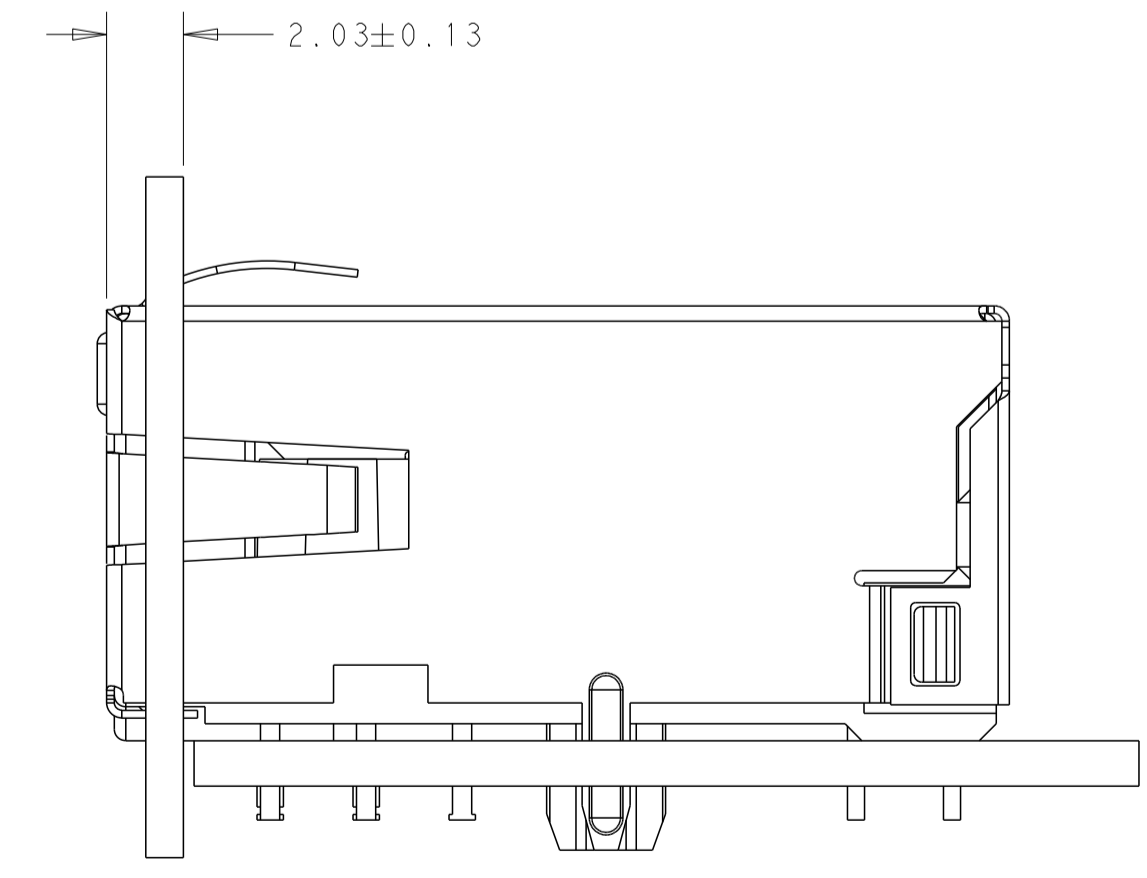
THIS DRAWING IS A CONTROLLED DOCUMENT. AND COMPLIANT TO ASME Y14.5M		OWN: TOWER YU/ 06SEP2016	trp CONNECTOR a bel group DONGGUAN CHINA
DIMENSIONS: mm		CHK: BILL LIU 06SEP2016	
TOLERANCES UNLESS OTHERWISE SPECIFIED:		APPV: TONY YUAN 06SEP2016	DESC: 1X1 GIGABIT 8G18 TAB DOWN LOW PROFILE W/ LED
0 PLC ±0.25 1 PLC ±0.25 2 PLC ±0.25 3 PLC ±0.25 4 PLC ± ANGLES ±		MODEL NAME: MAGJACK	SIZE: A1
PRODUCT SPEC: 108-104004		APPLICATION SPEC: -	CAGE CODE: C=2250454
		CUSTOMER DRAWING	SCALE: 4:1 SHEET 1 OF 3 REV 4



SUGGESTED PCB LAYOUT
(COMPONENT SIDE)



SUGGESTED PANEL CUTOUT




HALOGEN FREE

THIS DRAWING IS A CONTROLLED DOCUMENT. AND COMPLIANT TO ASME Y14.5M		DWN TOWER YU/ FRANK LIU 06SEP2016	 trp CONNECTOR a bel group DONGGUAN CHINA
DIMENSIONS: mm		CHK BILL LIU 06SEP2016	
		APVD TONY YUAN 06SEP2016	MODEL NAME MAGJACK
0 PLC ± 0.25 1 PLC ± 0.25 2 PLC ± 0.25 3 PLC ± 0.25 4 PLC \pm ANGLES \pm APPLICATION SPEC \pm		DESC 1X1 GIGABIT 8G18 TAB DOWN LOW PROFILE W/ LED	SIZE A1
PRODUCT SPEC 108-104004		RESTRICTED TO SINGLE NON-POE	DRAWING NO C=2250454
		CUSTOMER DRAWING	SCALE 4:1 SHEET 2 OF 3 REV 4

2250454_C						STOCK DISPOSITION			
REVISION HISTORY						A: CONTINUE AS IS		D: USE OLD FIRST	
						B: REWORK		E: PARTS TO CONFORM	
						C: SCRAP		F: OTHER	
DATE	REV	CHANGES	REASON	APPROVAL	INVENTORY (A,B,C,D,E,F)	WORK IN PROCESS (A,B,C,F)	SUPPLIER ORDERS (A,E,F)	OPEN CUST ORDERS (A,E,F)	
06SEP2016	1	INITIAL RELEASE	-	TY	-	-	-	-	
06SEP2016	2	SHEET 1, C8: CHANGE GREEN TO GREEN/YELLOW SHEET 1, C7: CHANGE YELLOW TO GREEN	CORRECT ERROR	TY	-	-	-	-	
29SEP2016	3	SHEET 1, A1, ADD DASH NUMBER 2250454-2	MARKET REQUEST	TY	-	-	-	-	
22NOV2016	4	CHANGE PARTS TO LOW HALOGEN ADD NOTE 9 FOR LOW HALOGEN SPECIFICATION	CUSTOMER REQUEST	TY	-	-	-	-	

HALOGEN FREE

THIS DRAWING IS A CONTROLLED DOCUMENT. AND COMPLIANT TO ASME Y14.5M		OWN TOWER YU/ FRANK LIU 06SEP2016	 trp CONNECTOR a bel group	DONGGUAN CHINA
DIMENSIONS: mm		CHK BILL LIU 06SEP2016		DESC MAGJACK SINGLE NON-POE
TOLERANCES UNLESS OTHERWISE SPECIFIED:		APP'D TONY YUAN 06SEP2016	MODEL NAME	SIZE
0 PLC ±0.25 1 PLC ±0.25 2 PLC ±0.25 3 PLC ± 4 PLC ±		PRODUCT SPEC 108-104004	APPLICATION SPEC	CAGE CODE DRAWING NO SCALE 4:1
ANGLES		CUSTOMER DRAWING		RESTRICTED TO
APPLICATION SPEC		SHEET 3 OF 3		REV 4