

Product Specification

RoHS Compliant Long-Wavelength GBIC Transceiver

FTL-1319-3D

PRODUCT FEATURES

- Up to 1.25Gb/s bi-directional data links
- 1310nm Fabry-Perot laser transmitter
- RoHS Compliant and Lead Free
- Optional Digital Diagnostics
- Extended operating temperature range (-10°C to +85°C)
- Compatible with 3.3 & 5V systems
- Hot-pluggable (complies with GBIC specification Rev. 5.5)
- Fully metallic enclosure for low EMI
- Low power dissipation



APPLICATIONS

- 1.0625 Gb/s Fibre Channel
- 1.25 Gigabit Ethernet

Finisar's FTL-1319-3D 1310nm GBIC transceivers comply with GBIC Specification Revision 5.5¹. They are compatible with Gigabit Ethernet as specified in IEEE 802.3², Fibre Channel FC-PH, PH2, PH3³ and FC-PI-2 Rev. 10.0⁴. They are RoHS compliant and lead-free per Directive 2002/95/EC⁵ and Finisar Appl. Note AN-2038.

PRODUCT SELECTION

Part Number	Digital Diagnostics
FTL-1319-3D	No
FTL-1319-3D-DD	Yes

I. Pin Descriptions

Pin Name	Pin #	Sequence
RX_LOS	1	2
GND	2	2
GND	3	2
MOD_DEF(0)	4	2
MOD_DEF(1)	5	2
MOD_DEF(2)	6	2
TX_DISABLE	7	2
GND	8	2
GND	9	2
TX_FAULT (not supported)	10	2
GND	11	1
-RX_DAT	12	1
+RX_DAT	13	1
GND	14	1
V _{CC}	15	2
V _{CC}	16	2
GND	17	1
+TX_DAT	18	1
-TX_DAT	19	1
GND	20	1

Table 1. GBIC to host connector pin assignment

“Sequence” indicates the order in which pins make contact when the device is hot plugged. See “Table 3: Signal Definitions” in the GBIC Specification Revision 5.5.¹

II. Electrical Power Interface

Finisar FTL-1319-3D GBICs have an extended power supply voltage range of 3.15 V to 5.5 V as described in Table 2. They are compatible with both 3.3V and 5 V systems.

Parameter	Symbol	Min	Typ	Max	Units	Notes/Conditions
Supply Current	I_s		200	300	mA	
Inrush Current	I_{surge}			+30	mA	Hot plug, above steady state current.
Absolute Supply Voltage	V_{max}	-0.3		6	V	Not to be applied continuously
Operating Supply Voltage	V_{cc}	3.15		5.5	V	Referenced to GND

Table 2. Electrical power interface

III. Low Speed Signals

RX_LOS and TX_DISABLE are TTL signals as described in Table 3. MOD_DEF(1) (SCL) and MOD_DEF(2) (SDA), are open drain CMOS signals (see section VIII, “Serial Communication Protocol”). Both MOD_DEF(1) and MOD_DEF(2) must be pulled up to host_Vcc. For more detailed information, see sections 5.3.1 – 5.3.8 in the GBIC Specification Rev. 5.5¹.

Parameter	Symbol	Min	Max	Units	Notes/Conditions
GBIC Output LOW	V_{OL}	0	0.5	V	4.7k to 10k pull-up to host_Vcc, measured at host side of connector
GBIC Output HIGH	V_{OH}	host_Vcc - 0.5	host_Vcc + 0.3	V	4.7k to 10k pull-up to host_Vcc, measured at host side of connector
GBIC Input LOW	V_{IL}	0	0.8	V	4.7k to 10k pull-up to Vcc, measured at GBIC side of connector
GBIC Input HIGH	V_{IH}	2	Vcc + 0.3	V	4.7k to 10k pull-up to Vcc, measured at GBIC side of connector

Table 3. Low speed signals – electronic characteristics

Parameter	Symbol	Min	Typ	Max	Units	Notes/Conditions
RX_LOS Assert Level	--	-31			dBm	
RX_LOS Deassert Level	--			-20	dBm	
RX_LOS Hysteresis	--	0.5			dB	
RX_LOS Assert Delay	t_loss_on			100	μsec	From detection of loss of signal to assertion of RX_LOS
RX_LOS Negate Delay	t_loss_off			100	μsec	From detection of presence of signal to negation of RX_LOS
TX_DISABLE Assert Time	t_off			10	μsec	Rising edge of TX_DISABLE to fall of output signal below 10% of nominal
TX_DISABLE Negate Time	t_on			1000	μsec	Falling edge of TX_DISABLE to rise of output signal above 90% of nominal
TX_DISABLE Reset Time	t_reset	10			μsec	TX_DISABLE HIGH before TX_DISABLE set LOW

Table 4. Low speed signal parameters

IV. High Speed Electrical Interface

All high-speed PECL signals are AC-coupled internally.

Parameter	Symbol	Min	Typ	Max	Units	Notes/Conditions
Data Input Voltage	V _{in}	650		2000	mV	PECL differential peak - peak
Data Output Voltage	V _{out}	370		2000	mV	PECL differential peak - peak
PECL rise/fall	t _r , t _f			260	psec	20%-80% differential
Bit Error Rate	BER			10 ⁻¹²		PRBS 2 ⁷ - 1 test data pattern
Tx Input Impedance	Z _{in}		75		Ohm	
Rx Output Impedance	Z _{out}		75		Ohm	

Table 5. High-speed electrical interface

V. Optical Parameters

Parameter	Symbol	Min	Typ	Max	Units	Notes/Conditions
TRANSMITTER CHARACTERISTICS						
Transmitter Center Wavelength	λ_c	1270	1310	1355	nm	
Transmitter Spectral Width	$\Delta\lambda_{RMS}$			4	nm	RMS. Also meets curves in FC-PI 10.0 Figures 18.
Transmitter Optical Output Power	P_{out}	-9	-6	-3	dBm	Average power coupled into single mode fiber
Transmitter Extinction Ratio	OMI	9			dB	
Transmitter Eye Opening	--	60			%	Conforms to IEEE 802.3 and Fibre Channel Eye Masks
Transmitter Rise/Fall Time	t_r/t_f			260	ps	20%-80% differential unfiltered
Total Transmitter Jitter				160	ps	Peak to peak, filtered
Relative Intensity Noise	RIN			-120	dB / Hz	
RECEIVER CHARACTERISTICS						
Optical Input Wavelength	λ_{in}	1270		1355	nm	
Receiver Reflectance	R_{RX}			-14	dB	
Optical Input Power (1.25GB/s)	P_{in}	-19		-3	dBm	BER < 10^{-12} w/ PRBS
Optical Input Power (1.0625Gb/s)	P_{in}	-20		-3	dBm	$2^7 - 1$ test pattern
Total Receiver Jitter				160	ps	Peak to peak, filtered in loopback

Note: Parameters are specified over temperature and voltage, at end of life unless otherwise noted.

Table 6. Optical parameters

VI. General Specifications

Parameter	Symbol	Min	Typ	Max	Units	Notes/Conditions
Data Rate	BR		1.25 1.0625		Gb/sec	Fibre Channel, IEEE 802.3 Compatible
Fiber Length	L			10,000	m	9 μ m Core Single Mode Fiber
Fiber Length	L			550	m	50 μ m 500MHz-km Fiber
Fiber Length	L			275	m	62.5 μ m 200MHz-km Fiber

Table 7. General specifications

VII. Environmental Specifications

Note that the GBIC Specification requires an ambient temperature range of 0 to 50°C. The FTL-1319-3D has an extended range from –10°C to +85°C case temperature as specified in Table 8.

Parameter	Symbol	Min	Typ	Max	Units	Notes/Conditions
Operating Temp	T _{op}	-10		85	°C	Case Temperature
Relative Humidity	RH	0		85	%	Non Condensing
Storage Temp	T _{sto}	-40		85	°C	
Eye Safety	--					CDRH and IEC-825 Class 1 Laser Product. See Note 1

Note 1: Complies with FDA performance standards for laser products except for deviations pursuant to Laser Notice No. 50, dated July 26, 2001.

Table 8. Environmental specifications

VIII. Serial Communication Protocol

All Finisar optical GBICs implement serial identification features described for ‘Module Definition “4”’ as outlined in Annex D of the GBIC Specification¹. These GBICs use an Atmel AT24C01A 128 byte E²PROM at address A0H. For details on interfacing with the E²PROM, see the Atmel data sheet titled “AT24C01A/02/04/08/16 2-Wire Serial CMOS E²PROM.”⁶

The FTL-1319-3D-DD also supports extended diagnostic features as described in Finisar Applications Note AN-2030, “Digital Diagnostic Monitoring Interface for Optical Transceivers”⁸, and additional information is available in SFF standard titled: “Digital Diagnostic Monitoring Interface for Optical Transceivers”⁷ (SFF-8472 rev9.3). A controller IC that monitors system parameters such as laser current, module temperature, transmitter power, and received power is accessible at address A2H.

I2C clock speed, digital diagnostic accuracy and digital diagnostic range can be found in the table below. Values in the table represent the worst-case values over temperature, voltage, and life.

Parameter	Symbol	Min	Typ	Max	Units	Notes/Conditions
I ² C Clock Speed		0		100,000	Hz	Bus can be driven blind
Accuracy						
Internal Transceiver Temperature	DD _{Temperature}	-3		+3	°C	Measured at controller IC
Internal Transceiver Supply Voltage	DD _{Voltage}	-3		+3	%	Measured at controller IC
Tx Bias Current	DD _{Bias}	-10		+10	%	
Tx Output Power	DD _{TxPower}	-3		+3	dB	100% tested in production tested at room temp to ±2 dB
Received Average Power	DD _{RxPower}	-3		+3	dB	100% tested in production tested at room temp to ±2 dB
Range						
Internal Transceiver Temperature	DD _{Temperature}	-40		100	°C	
Internal Transceiver Supply Voltage	DD _{Voltage}	3.0		6.0	V	
Tx Bias Current	DD _{Bias}	0		80	mA	
Tx Output Power	DD _{TxPower}	-13.5		1	dBm	
Received Average Power	DD _{RxPower}	-24		1	dBm	

Table 9. Digital Diagnostic Accuracy and Range Limits

IX. Mechanical Specifications

Finisar GBICs are compatible with the mechanical specifications outlined in the GBIC Specification Revision 5.5, Section 6¹.

Insertion, Extraction, and Retention Forces						
Parameter	Symbol	Min	Typ	Max	Units	Notes/Conditions
GBIC insertion	F _I	0		20	Newtons	~4.5 lbs
GBIC extraction	F _E	0		15	Newtons	~3.3 lbs
GBIC retention	F _R	130		N/A	Newtons	Straight out ~29.3 lbs

Table 10. Insertion, extraction, and retention forces

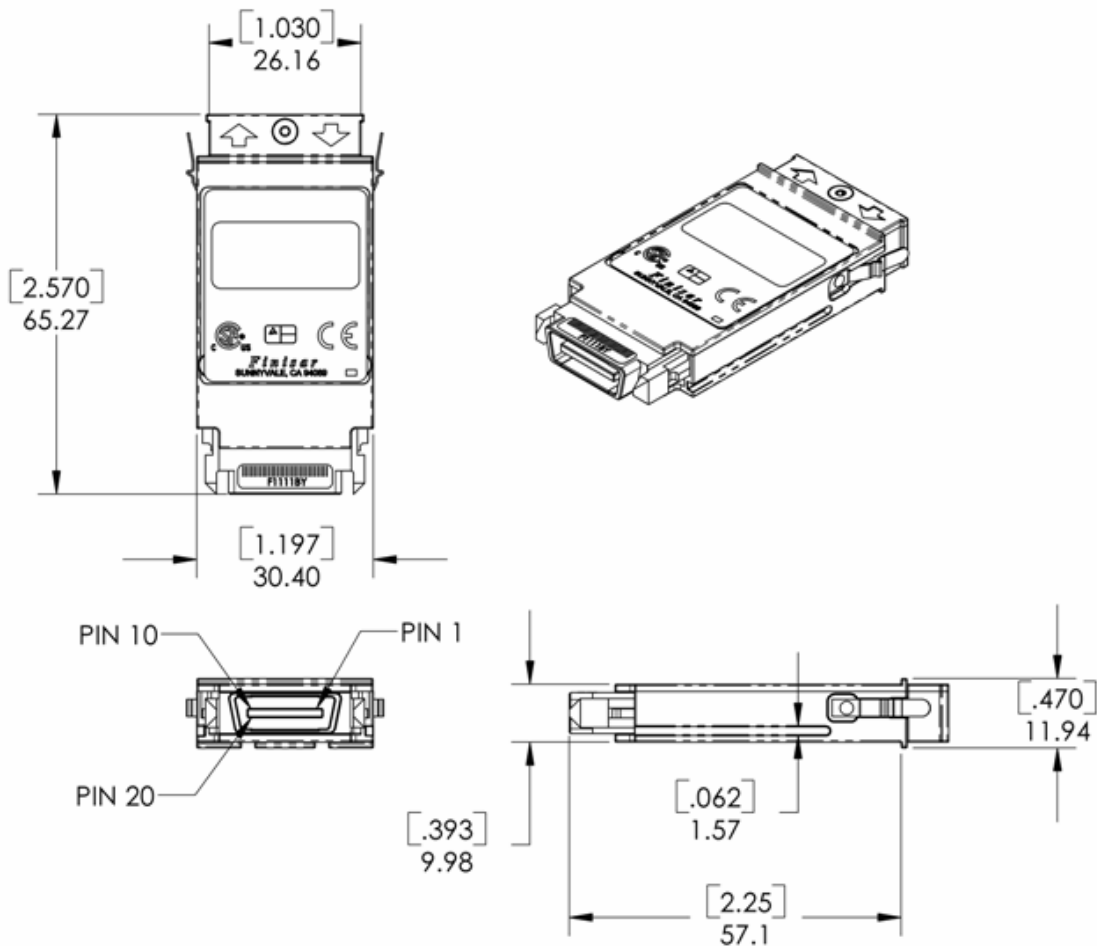


Figure 1. GBIC outline drawing

X. References

1. “Gigabit Interface Converter (GBIC) Revision 5.5”. Sun Microsystems Computer Company et. al., August 16, 1999. <http://playground.sun.com/pub/OEmod/>
2. IEEE Std 802.3. IEEE Standards Department, 2002.
3. “Fibre Channel Physical and Signaling Interface (FC-PH, FC-PH2, FC-PH3)”. American National Standard for Information Systems.
4. “Fibre Channel Draft Physical Interface Specification (FC-PI-2 Rev. 10.0). American National Standard for Information Systems.
5. Directive 2002/95/EC of the European Council Parliament and of the Council, “on the restriction of the use of certain hazardous substances in electrical and electronic equipment.” January 27, 2003.
6. “AT24C01A/02/04/08/16 2-Wire Serial CMOS E²PROM”. Atmel Corporation. www.Atmel.com

XI. For More Information

Finisar Corporation
1389 Moffett Park Drive
Sunnyvale, CA 94089-1134
Tel. 1-408-548-1000
Fax 1-408-541-6138
sales@finisar.com
www.finisar.com