

REVISIONS				
P	LTR	DESCRIPTION	DATE	DWN APVD
1		INITIAL	15APR2021	RM SZ

NOTES :

1.MATERIAL

HOUSING :HIGH TEMPERATURE THERMAL PLASTIC,BLACK,UL94-V0

CONTACT :COPPER ALLOY

SHELL :STAINLESS STEEL

MIDDLE PLATE:STAINLESS STEEL

2.PLATING

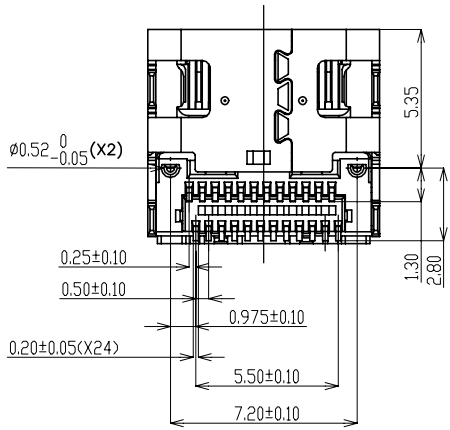
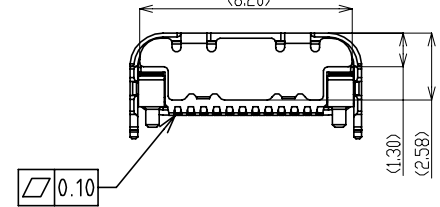
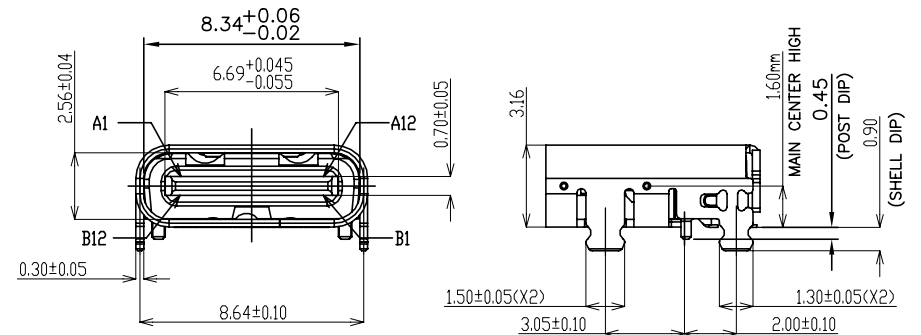
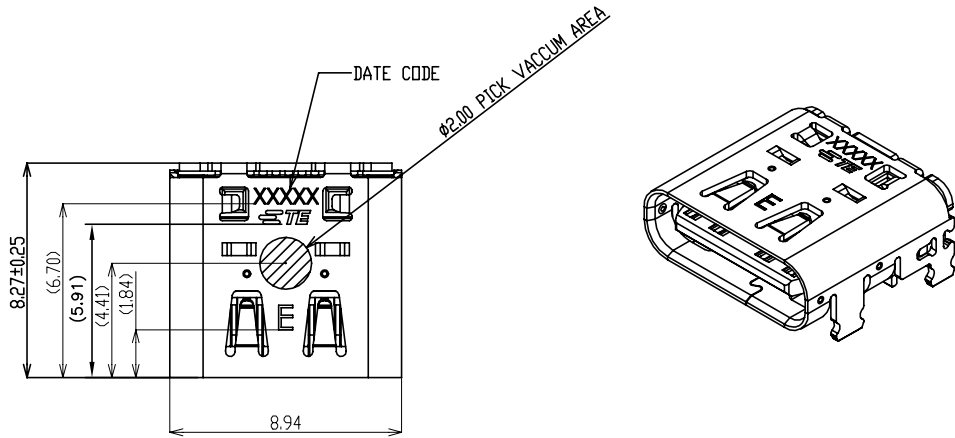
CONTACT:0.00076mm [30u"] MIN. GOLD PLATING ON CONTACT AREA.
0.00254mm [100u"] MIN. MATTE TIN PLATING ON SOLDER TAILS,
UNDERPLATED 0.00127mm [50u"] MIN. NICKEL OVERALL.

SHELL: 0.00127mm [50u"] MIN. SOLDERING NICKEL UNDERPLATED OVERALL.

MIDDLE PLATE: PLATING CLEANING.

3.COPLANARITY OF SMT PINS AND SOLDER TAILS:
0.10MAX BEFORE REFLOW,0.12MAX. AFTER REFLOW

4.DATE CODE: YYWW (YY: YEAR, WW: WEEK, D: DAY)
(8.20)



THIS PRINT IS
PRELIMINARY
UNQUALIFIED PRODUCT
DESIGN IS SUBJECT TO
CHANGE WITHOUT NOTICE

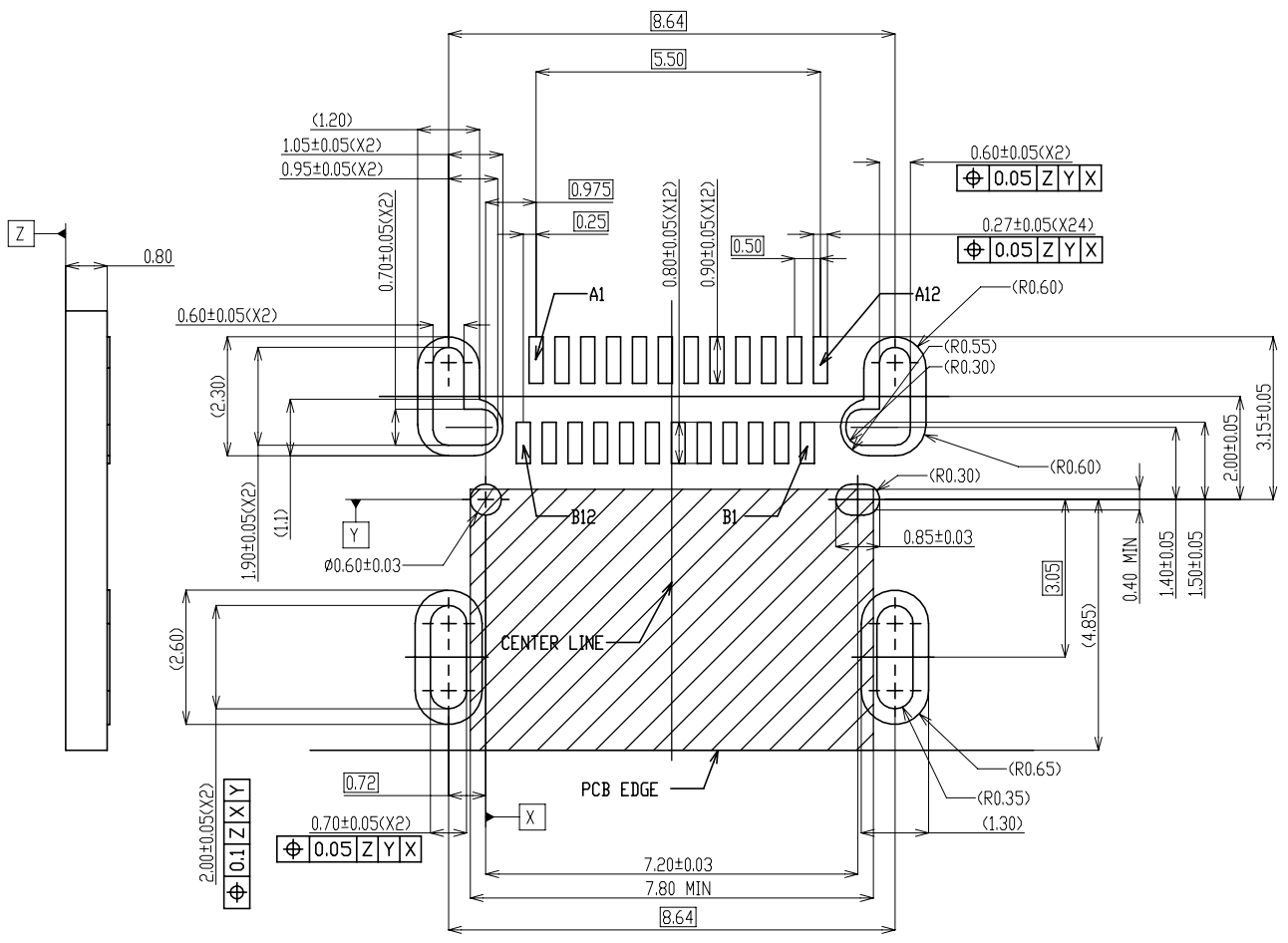
PIN NO.	A1	A2	A3	A4	A5	A6	A7	A8	A9	A10	A11	A12
SIGNAL NAME	GND	SSTXp1	SSTXn1	VBUS	CC1	Dp1	Dn1	SBU1	VBUS	SSRXn2	SSRXp2	GND
PIN NO.	B12	B11	B10	B9	B8	B7	B6	B5	B4	B3	B2	B1
SIGNAL NAME	GND	SSRXp1	SSRXn1	VBUS	SBU2	Dn2	Dp2	CC2	VBUS	SSTXn2	SSTXp2	GND

2385692-1
P/N


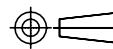
THIS DRAWING IS A CONTROLLED DOCUMENT.

DWN RICHARD MA 15APR2021	TE Connectivity USB 4.0 RECEPTACLE TOP MOUNT, 24 POS, CH=1.60						
CHK RICHARD MA 15APR2021							
APVD SUNY ZHAO 15APR2021							
PRODUCT SPEC 108-160251							
MATERIAL -	FINISH -	APPLICATION SPEC -	WEIGHT -	SIZE A3	CAGE CODE 00779	DRAWING NO C=2385692	RESTRICTED TO -
CUSTOMER DRAWING				SCALE 1:1	SHEET 1 of 3	REV 1	

P	LTR	DESCRIPTION	DATE	DWN	APVD
-	-	SEE SHEET 1	-	-	-



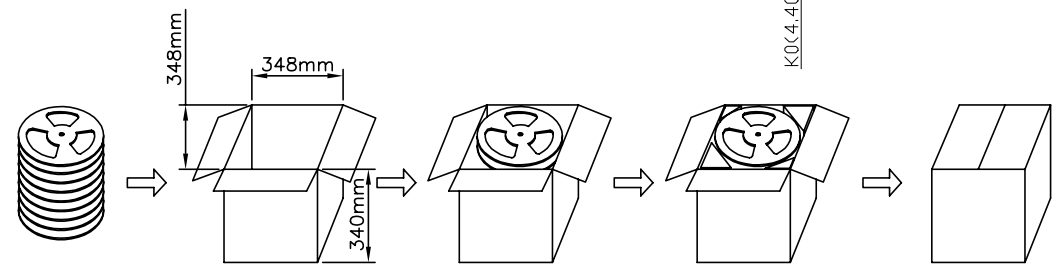
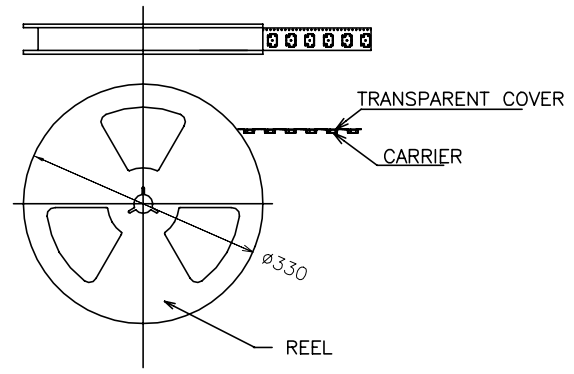
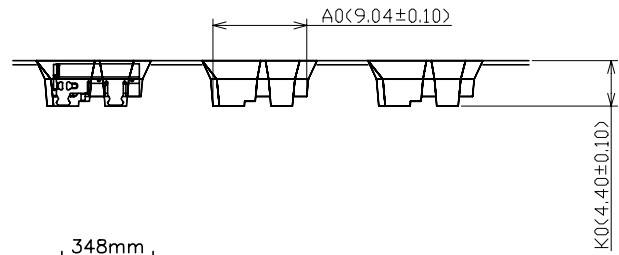
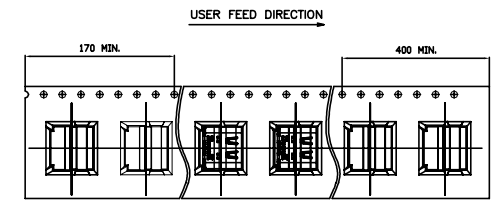
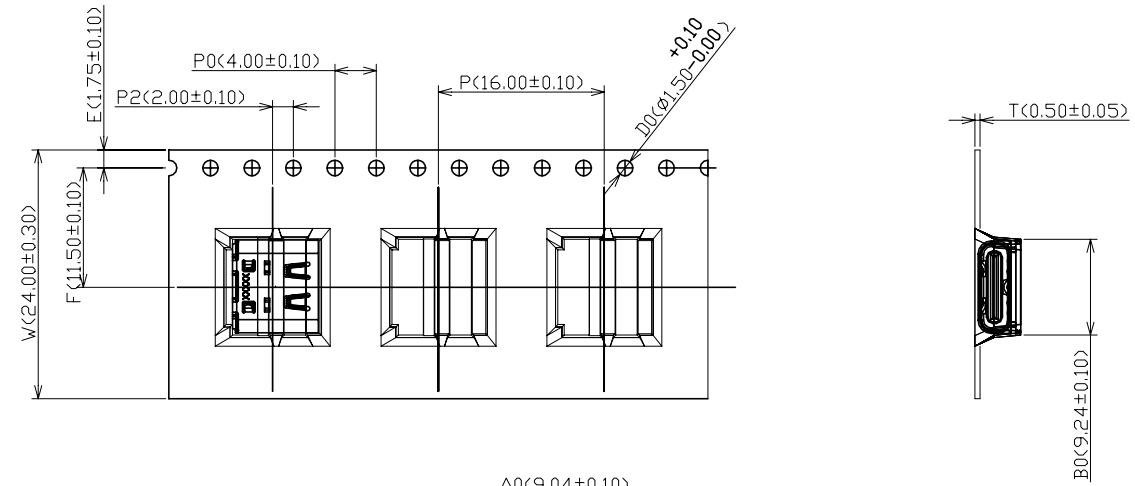
THIS PRINT IS
PRELIMINARY
 UNQUALIFIED PRODUCT
 DESIGN IS SUBJECT TO
 CHANGE WITHOUT NOTICE

THIS DRAWING IS A CONTROLLED DOCUMENT.		DWN RICHARD MA 15APR2021	 TE Connectivity		
		CHK RICHARD MA 15APR2021			
DIMENSIONS: mm		APVD SUNY ZHAO 15APR2021	NAME USB 4.0 RECEPTACLE TOP MOUNT, 24 POS, CH=1.60		
 TOLERANCES UNLESS OTHERWISE SPECIFIED: 0 PLC ± 0.38 1 PLC ± 0.25 2 PLC ± 0.13 3 PLC ± 0.05 4 PLC ± - ANGLES ± -		PRODUCT SPEC 108-160251			
MATERIAL -		FINISH -	APPLICATION SPEC -	SIZE A3	RESTRICTED TO -
		WEIGHT -	CAGE CODE 00779	DRAWING NO C=2385692	
CUSTOMER DRAWING			SCALE 1:1	SHEET 2 of 3	REV 1

P	LTR	DESCRIPTION	DATE	DWN	APVD
-	-	SEE SHEET 1	-	-	-

NOTES:

1. USED ON USB TYPE C CONNECTOR PRODUCTS.
2. PACKAGE:800PCS/REEL, 10REELS/BOX
3. MATERIAL:TRANSPARENT CONDUCTIVE POLYSTYRENE ALLOY
4. APPLICABLE DOCUMENTS:EIA-481-D
5. AFTER UNREELING DIRECTION MUST HAVE 11 PCS BLANK.(170mm Min)
6. BEFORE UNREELING DIRECTION MUST HAVE 25 PCS BLANK.(400mm Min)



PACKAGING PROCESS

THIS PRINT IS
PRELIMINARY
 UNQUALIFIED PRODUCT
 DESIGN IS SUBJECT TO
 CHANGE WITHOUT NOTICE

THIS DRAWING IS A CONTROLLED DOCUMENT.		DWN RICHARD MA 15APR2021	TE Connectivity	
		CHK RICHARD MA 15APR2021		
		APVD SUNY ZHAO 15APR2021	NAME	
DIMENSIONS: mm		PRODUCT SPEC	USB 4.0 RECEPTACLE	
TOLERANCES UNLESS OTHERWISE SPECIFIED:		APPLICATION SPEC	TOP MOUNT, 24 POS, CH=1.60	
0 PLC ± 0.38 1 PLC ± 0.25 2 PLC ± 0.13 3 PLC ± 0.05 4 PLC ANGLES ± - ± -		108-160251		
MATERIAL		FINISH	SIZE A3	RESTRICTED TO
			CAGE CODE 00779	
			DRAWING NO C=2385692	
			SCALE 1:1	
			SHEET 3 of 3	
			REV 1	