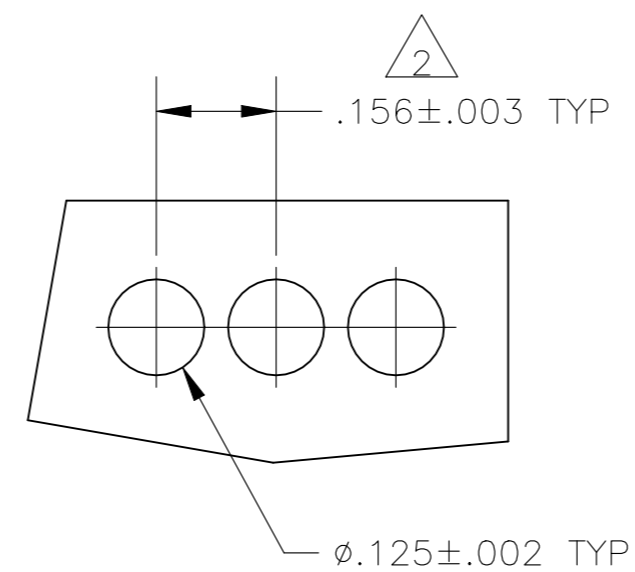
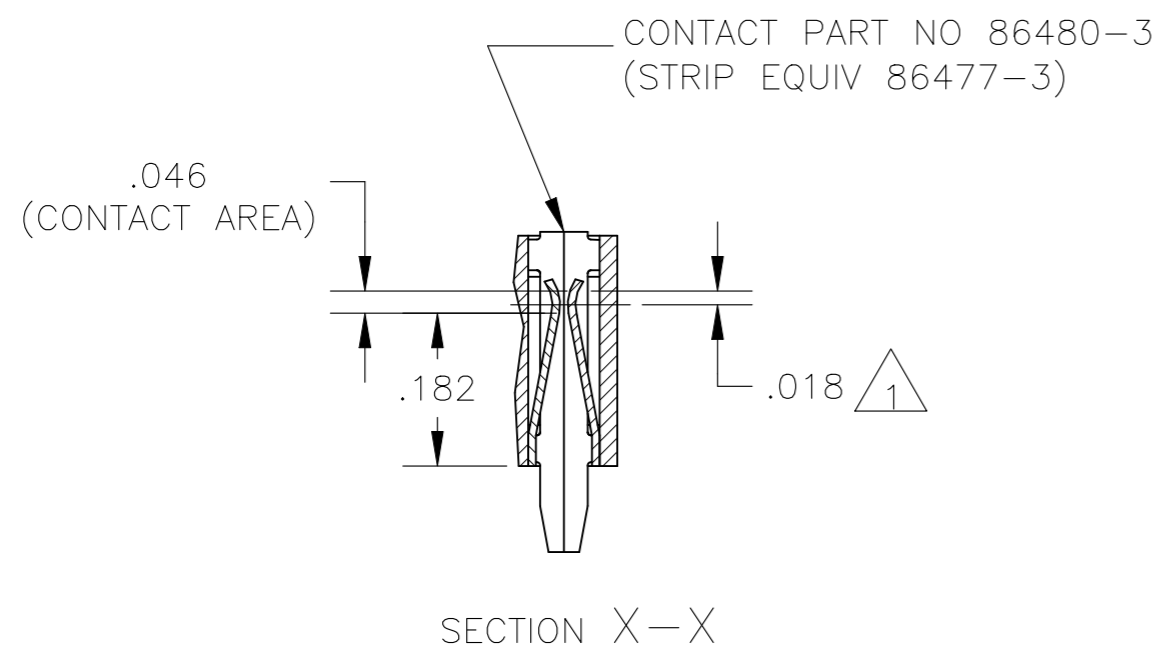
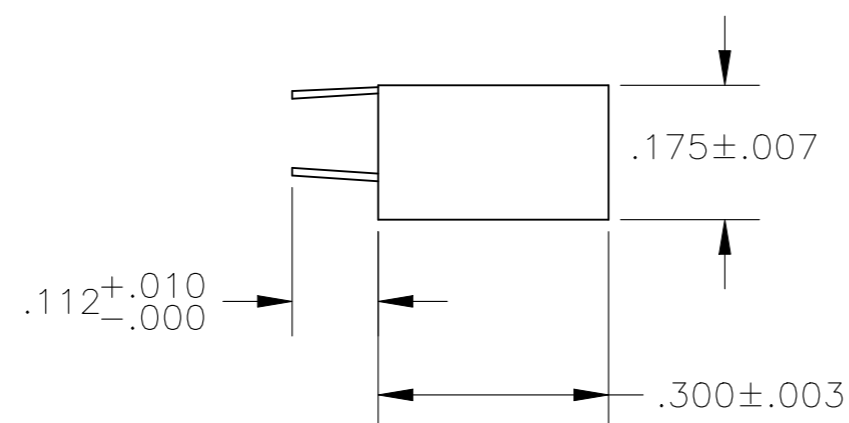
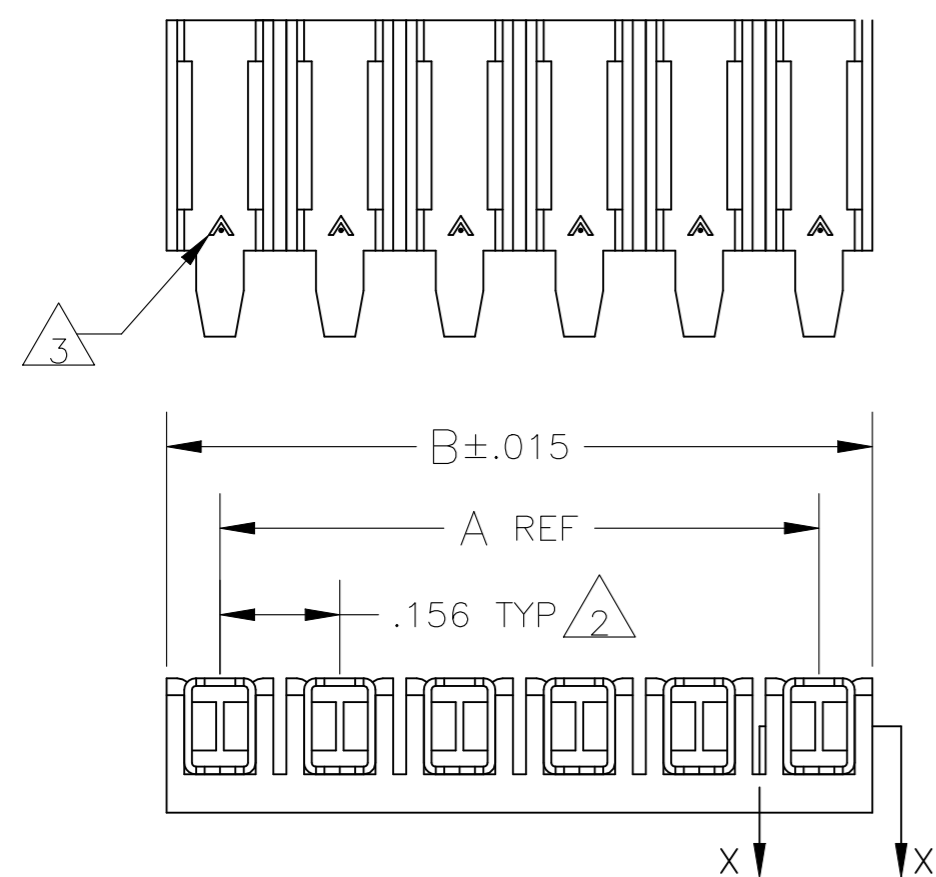


REVISIONS				
P	LTR	DESCRIPTION	DATE	DWN APVD
P		RESIN SUPPLIER CHANGE FOR THE HOUSING	02JUN2022	SCB PS



RECOMMENDED BOARD MOUNTING
(RECOMMENDED BOARD THICKNESS: .055-.070)

- 1 POINT OF MEASUREMENT FOR PLATING THICKNESS (INSIDE OF BEAMS).
- 2 TOLERANCE NON-CUMULATIVE.
- 3 THE MATING END OF THE CONTACT IS IDENTIFIED BY THE LETTER "A" STAMPED ON THE RECEPTACLE BOX.
- 4 OBSOLETE PARTS: OBSOLETE CIS STREAMLINING PER D.RENAUD/D.SINISI



OBSOLETE 4	3.120	2.964	20	2-87983-0
	2.964	2.808	19	1-87983-9
	2.808	2.652	18	1-87983-8
	2.652	2.496	17	1-87983-7
OBSOLETE 4	2.496	2.340	16	1-87983-6
	2.340	2.184	15	1-87983-5
	2.184	2.028	14	1-87983-4
	2.028	1.872	13	1-87983-3
	1.872	1.716	12	1-87983-2
	1.716	1.560	11	1-87983-1
OBSOLETE 4	1.560	1.404	10	1-87983-0
	1.404	1.248	9	87983-9
OBSOLETE 4	1.248	1.092	8	87983-8
OBSOLETE 4	1.092	.936	7	87983-7
OBSOLETE 4	.936	.780	6	87983-6
	.780	.624	5	87983-5
OBSOLETE 4	.624	.468	4	87983-4
	.468	.312	3	87983-3
OBSOLETE 4	.312	.156	2	87983-2
	B	A	NO OF POSN	ASSEMBLY PART NUMBER

THIS DRAWING IS A CONTROLLED DOCUMENT.		DWN L D RINGLEY 17MAR86	TE Connectivity	
DIMENSIONS: INCHES		CHK P C DEJONG 18MAR86		
TOLERANCES UNLESS OTHERWISE SPECIFIED:		APVD P C DEJONG 18MAR86	NAME	
0 PLC ± - 1 PLC ± - 2 PLC ± - 3 PLC ± .005 4 PLC ± - ANGLES ± -		PRODUCT SPEC 108-25,016	ASSY, MOD I, BOARD MOUNT RECP, .156CL, STD PRESSURE, TYPE A, FOR ROUND HOLE MOUNTING	
MATERIAL: HOUSING-FLAME RETARDANT THERMOPLASTIC, COLOR-BLACK		APPLICATION SPEC 114-25,004	SIZE A2	CAGE CODE 00779
CONTACTS: PHOS BRONZE		FINISH: .00079 MIN TIN	DRAWING NO C=87983	RESTRICTED TO -
CUSTOMER DRAWING			SCALE 4:1	SHEET 1 of 1
			REV P	