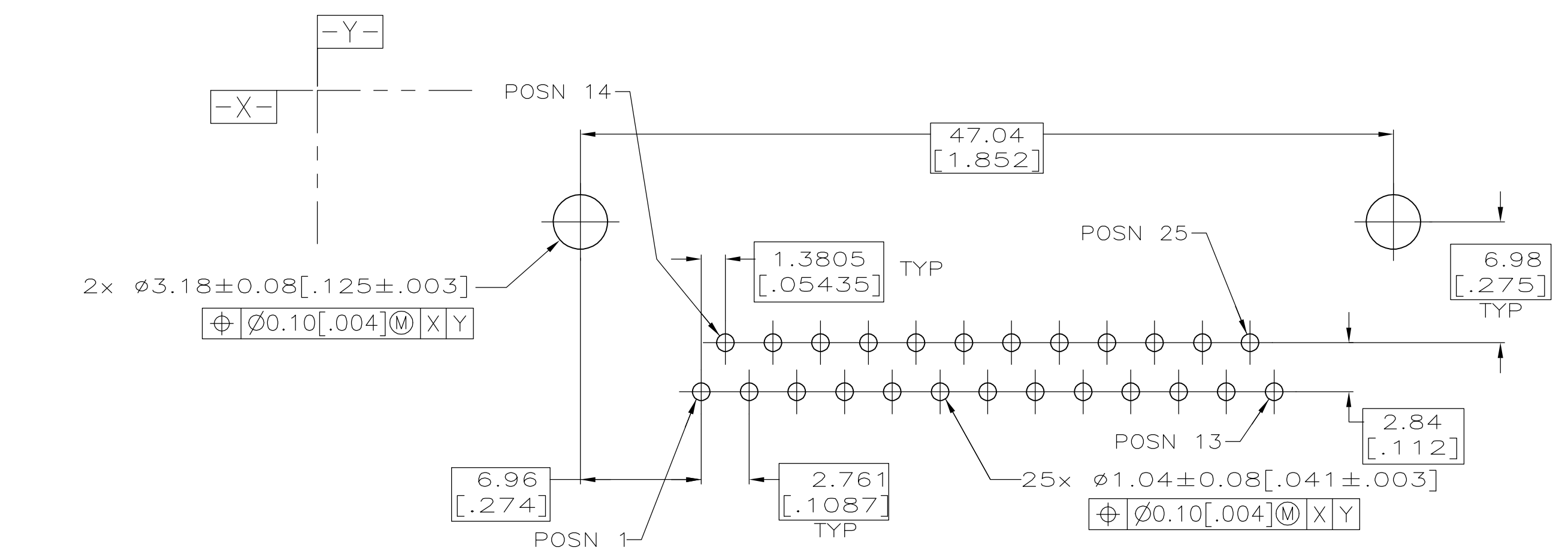
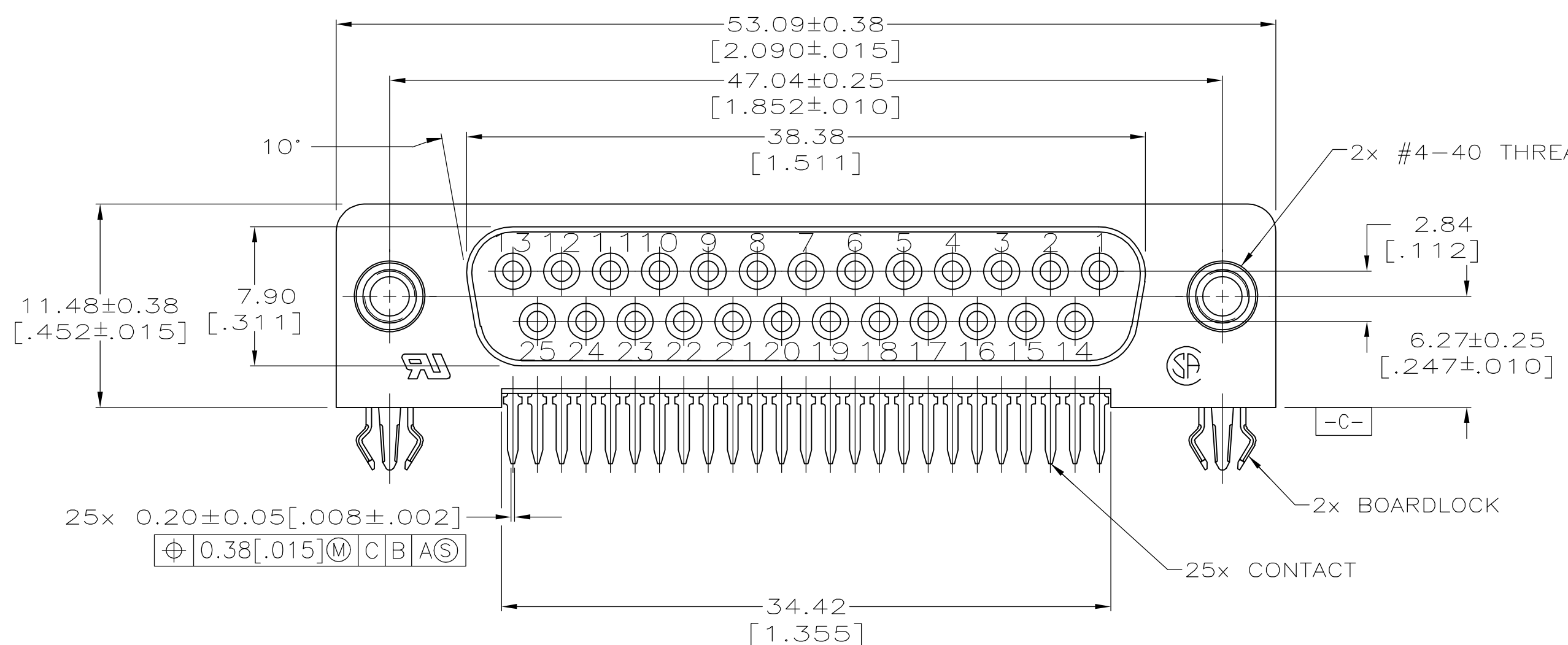
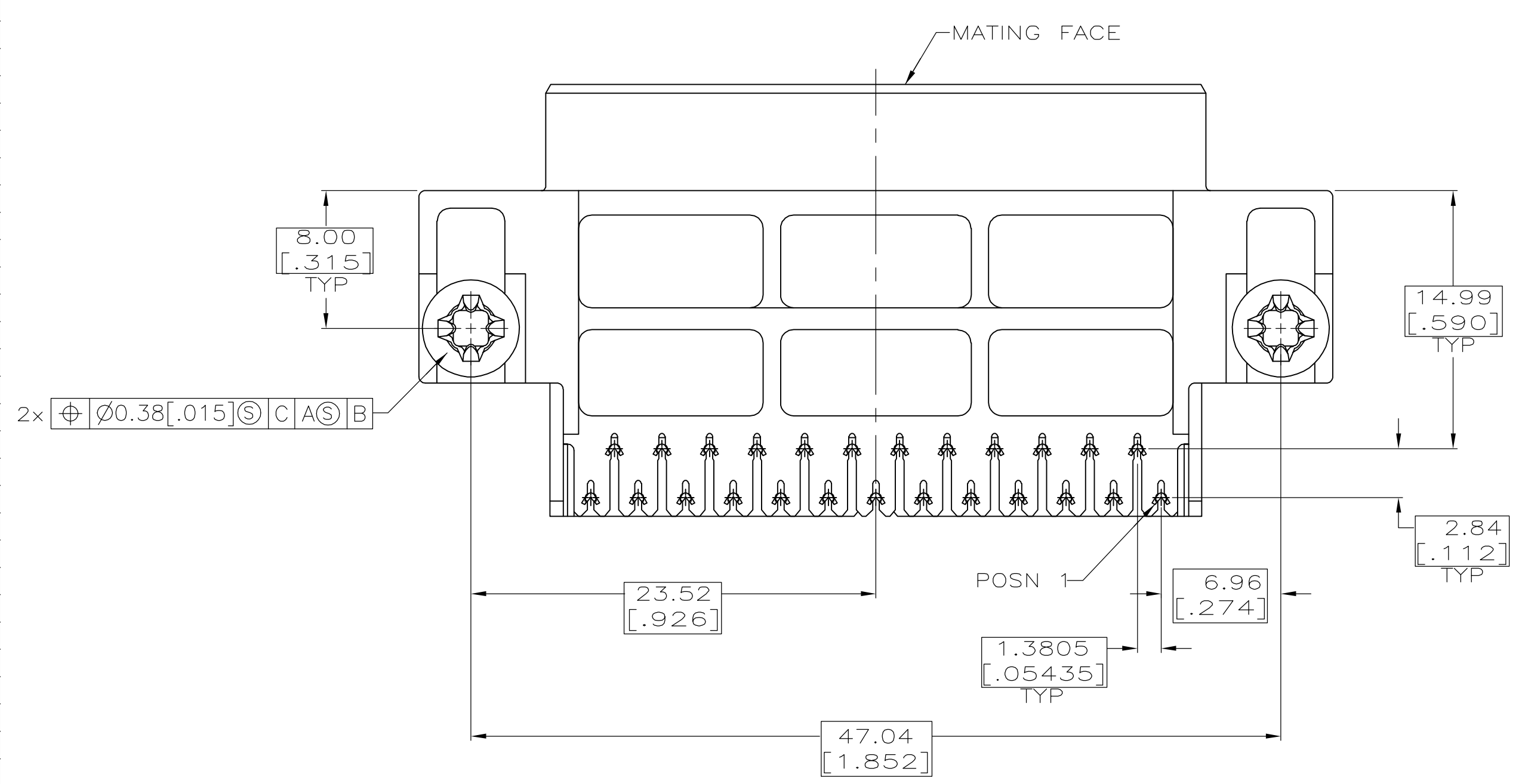
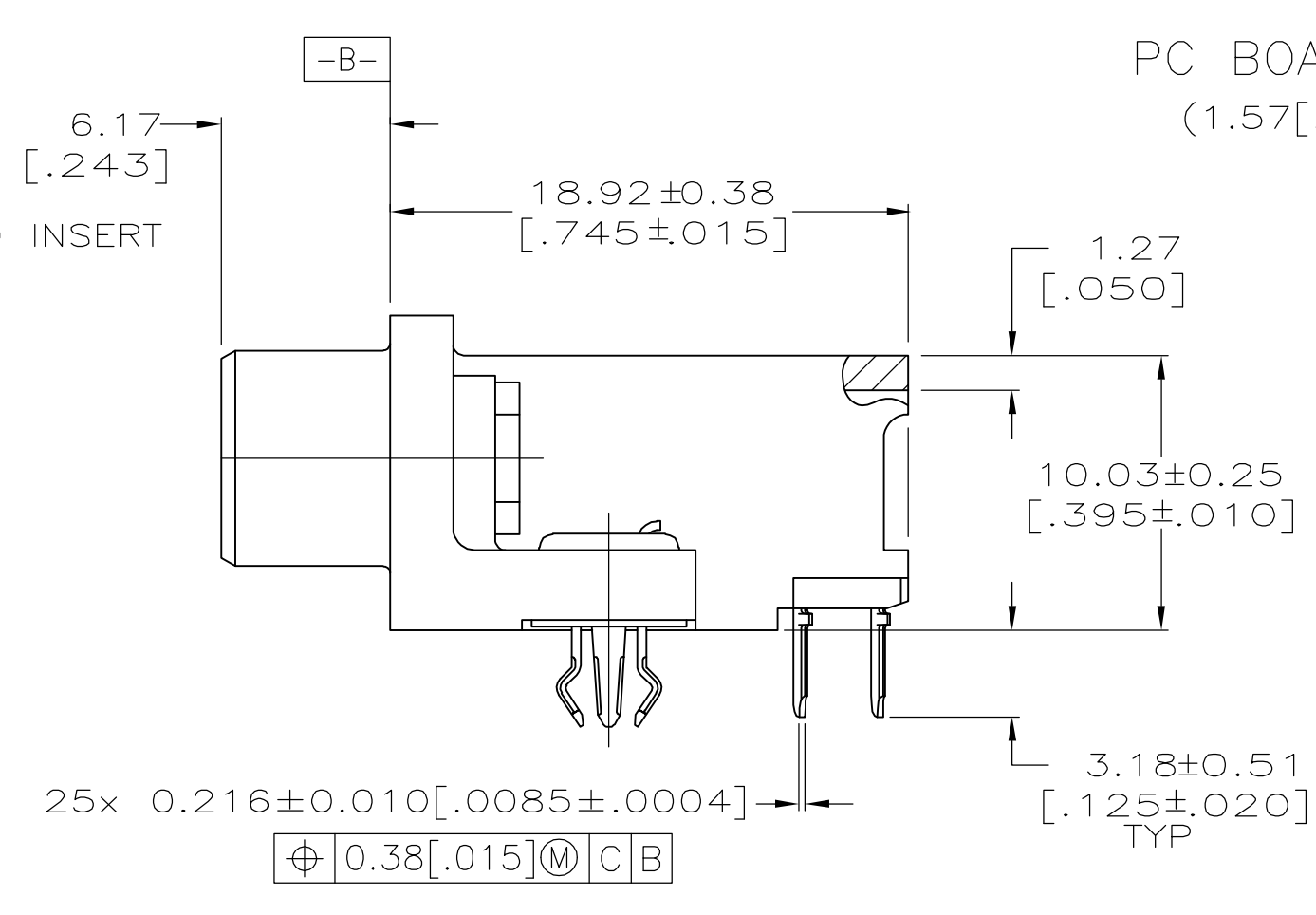


TYCO, PART NO & DATE CODE, MARKED IN AREA INDICATED



PC BOARD MOUNTING DIMENSIONS
 (1.57 [.062] PC BOARD THICKNESS)

- △ POSITION TOLERANCE APPLIES AT TIP ONLY.
- △ HOUSING: FLAME RETARDANT UL94V-0 RATED, NYLON OR POLYESTER, COLOR BLACK.
- CONTACTS: PHOSPHOR BRONZE
- EYELETS: BRASS
- INSERTS: ZINC
- BOARDLOCKS: COPPER ALLOY
- △ EYELETS: 2.54 μm [.000100] MIN TIN OVER COPPER FLASH.
- BOARDLOCKS: 3.81 μm [.00015] MIN TIN OVER 1.27 μm [.000050] MIN NICKEL.
- CONTACTS: 0.76 μm [.000030] MIN GOLD FOR A LENGTH OF 1.52 [.060] MIN FROM MATING END, 2.54 μm [.0001] MIN TIN FOR A LENGTH OF 3.68 [.145] MIN FROM OPPOSITE END, BOTH OVER 1.27 μm [.000050] MIN NICKEL.
- INSERTS: CLEAR CHROMATE COATING.



5748909-1
 PART NO

**COPYRIGHT 2005
 TYCO ELECTRONICS CORP
 ALL RIGHTS RESERVED**

THIS DRAWING IS A CONTROLLED DOCUMENT.		DWN G.PETERS 21SEP05	21SEP05		Tyco Electronics Corporation Harrisburg, PA 17105-3608	
DIMENSIONS: mm [INCHES]		CHK S.BOLASH 21SEP05	21SEP05		NAME	RECEPTACLE ASSEMBLY, SIZE 3, 25 POSN, ALL PLASTIC, RIGHT ANGLE .590 SERIES, AMPLIMITE
TOLERANCES UNLESS OTHERWISE SPECIFIED:		APVD M.WALMSLEY 21SEP05	21SEP05	PRODUCT SPEC	108-1226	
0 PLC ± -		APPLICATION SPEC		114-40027		
1 PLC ± 0.13 [005]		WEIGHT		-		
2 PLC ± -		SCALE		4:1		
3 PLC ± -		SHEET		1 OF 1		
4 PLC ± -		REV		0		
ANGLES ± z		CUSTOMER DRAWING				