

THIS DRAWING IS UNPUBLISHED.

RELEASED FOR PUBLICATION

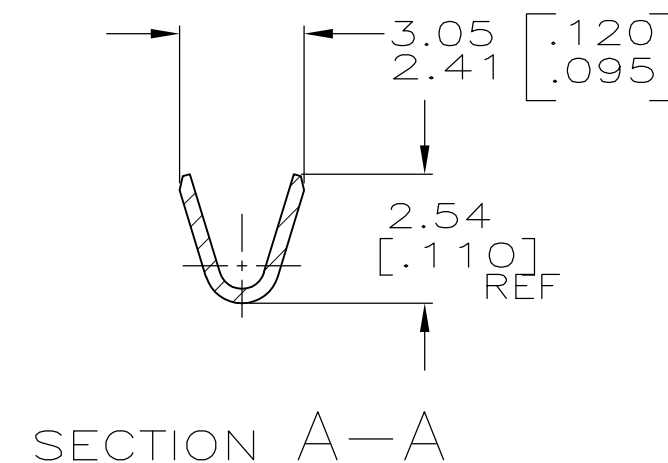
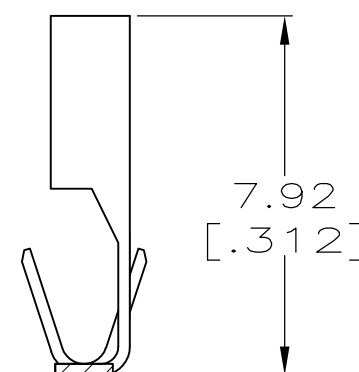
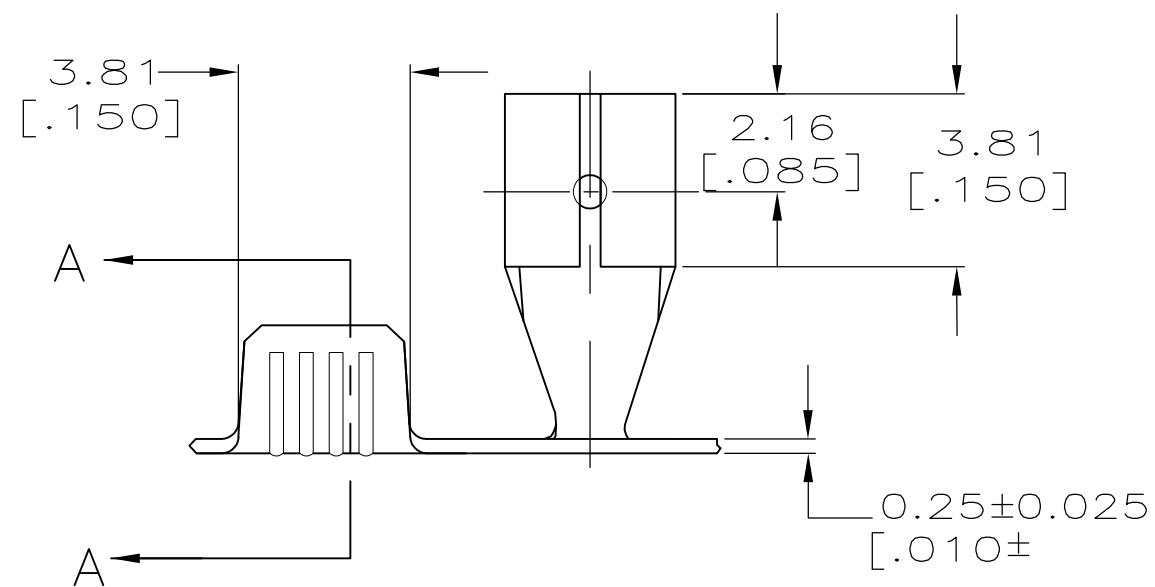
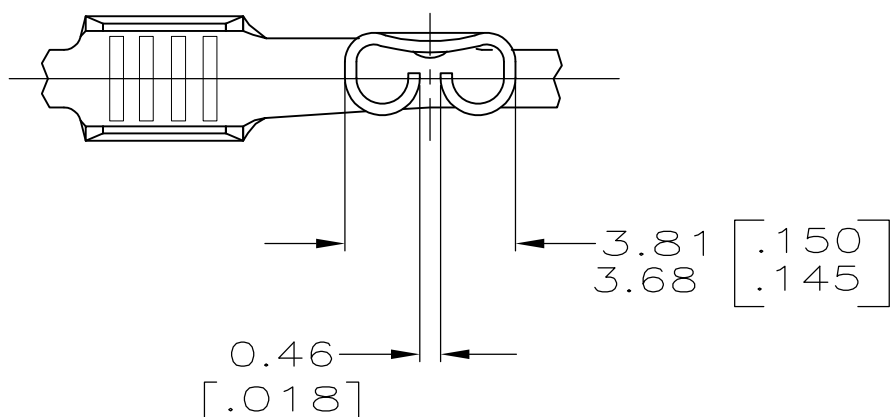
ALL RIGHTS RESERVED.

© COPYRIGHT - By -

REVISIONS

P	LTR	DESCRIPTION	DATE	DWN	APVD
	J1	REVISED PER ECO-16-013210	08SEP16	RS	DH

- 1 CONTINUOUS STRIP ON REELS.
- 2 REVERSE REELING OF -1.



STRIP LENGTH	TYPE	WIDTH	HEIGHT	WIRE
5.59 [.220]	F	1.78 [.070]	1.42 [.056]	16
			1.19 [.047]	18
			1.04 [.041]	20
			0.96 [.038]	22
±0.051 [.002]				
±0.38 [.015]				
WIRE BARREL CRIMP				

THIS DRAWING IS A CONTROLLED DOCUMENT.

DIMENSIONS: mm [INCHES]	TOLERANCES UNLESS OTHERWISE SPECIFIED:
	0 PLC ± -
	1 PLC ± -
	2 PLC ± 0.38 [.015]
	3 PLC ± -
	4 PLC ± -
MATERIAL BRASS	FINISH PRE-TIN

[#22-#16] AWG	0.51±0.025 [.020±.001]	2	61549-2
[#22-#16] AWG	0.51±0.025 [.020±.001]		61549-1
WIRE SIZE	MATING TAB THICKNESS		PART NO.
DWN JR RUTH 4/18/96	CHK MS FEHER 4/18/96	APVD P DESANTIS 4/18/96	NAME RECEPTACLE, FASTON, 2.79 [.110] SERIES
PRODUCT SPEC -	APPLICATION SPEC 114-2028	WEIGHT 0.000000	SIZE A3
CUSTOMER DRAWING		CAGE CODE 00779	DRAWING NO C-61549
SCALE 6:1		SHEET 1 OF 1	REV J1

