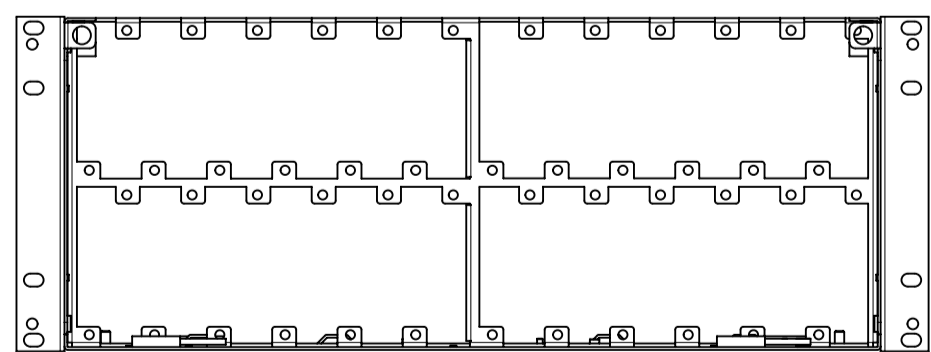
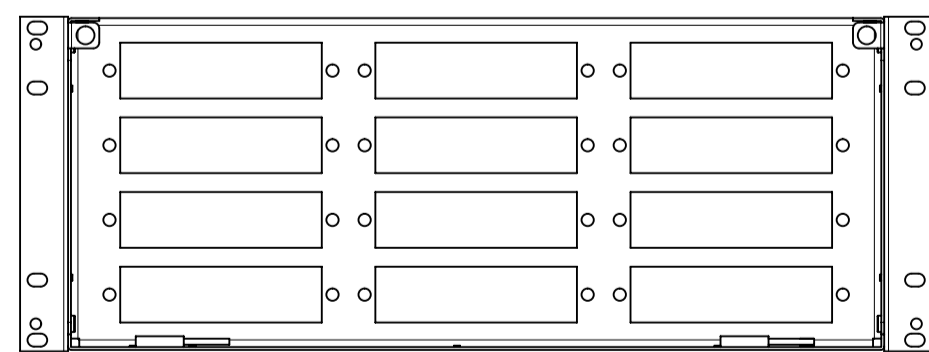


VIEWS WITHOUT THE FRONT DOOR, REAR DOOR AND TOP COVER:



SCALE 1:4
RFR-00204
(180660016)



SCALE 1:4
RFR-00204L
(180660135/180660028)

PART NUMBERS TABLE:

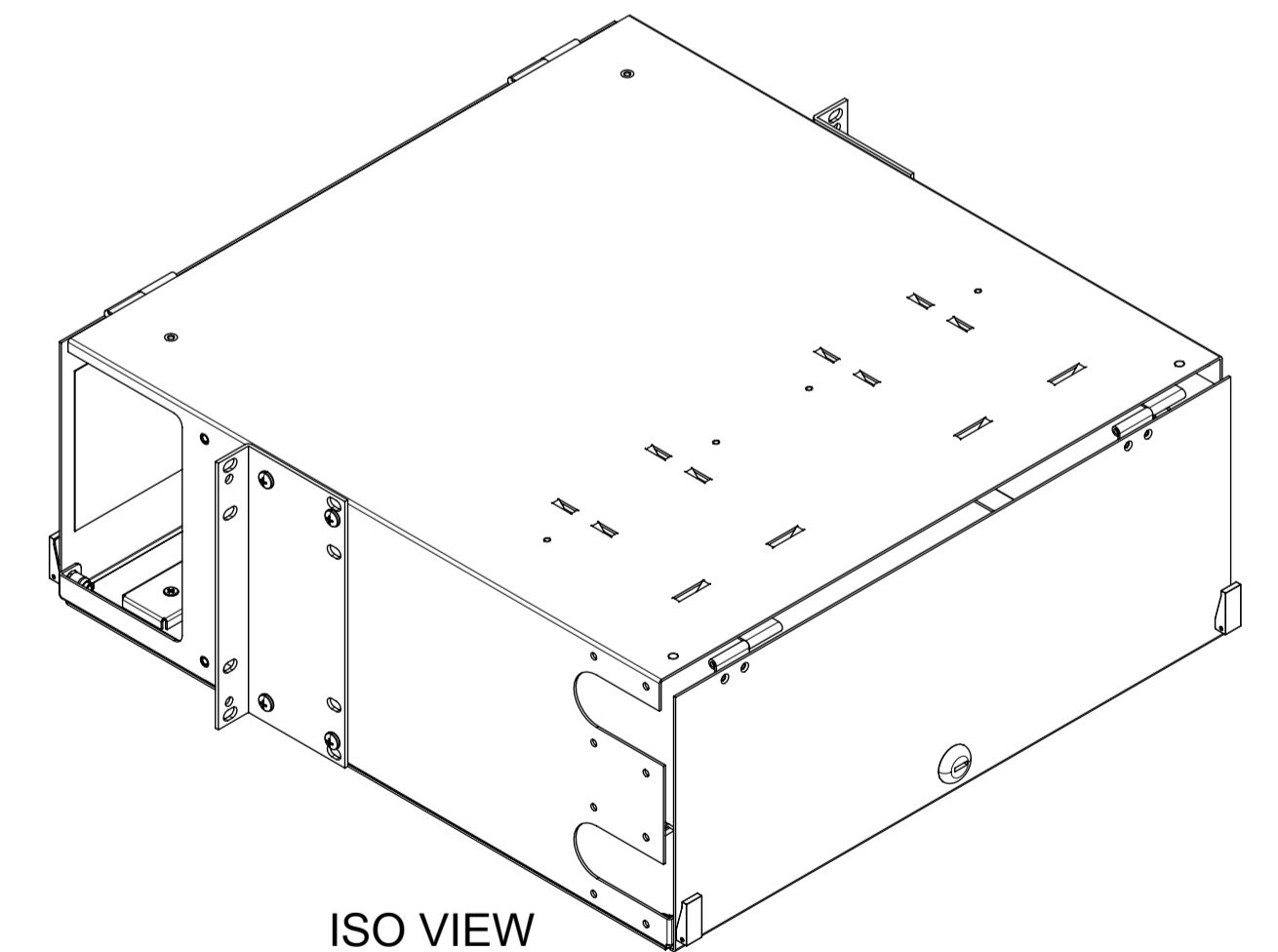
MPN NO.	SAP NO.	DESCRIPTION.	REMARKS
RFR-00204	180660016	4U FIBER ENCLOSURE	
RFR-00204L	180660135	4U ENCLOSURE FOR 12 FIBER CASSETTE	
	180660028	4U ENCLOSURE FOR 12 FIBER CASSETTE-USA	FOR USA MARKET ONLY

NOTES:

- MATERIAL:
 - TOP COVER : ALUMINIUM (AL)
 - BASE : COLD ROLLED STEEL (CRS)
 - PANEL DOOR : ALUMINIUM (AL)
 - MOUNTING BRACKET : COLD ROLLED STEEL (CRS)
 - 6 PAK PANEL : COLD ROLLED STEEL (CRS)
- FINISH: FLAT BLACK POWDER COAT.
- FIBER PORT ID LABEL INCLUDED.
- ACCESSORY KIT CONTAINING THE FOLLOWING IS PACKED IN ZIP LOCK BAG
 - EACH OF THE 2 CABLE MANAGEMENT HUB (186011457) IS SPLIT INTO 2 HALVES (4 PCS) BEFORE PLACING IT INTO ZIPLOCK BAG.

DESCRIPTION	QTY	REMARKS
M3X0.5 KEPS NUT	4	
M5X0.8 KEPS NUT	1	
SCR NTS M4X0.7X8MM PAN PHL STEEL	8	
CABLE MANAGEMENT HUB	2	
COPPER POST CONNECTOR	1	
CABLE TIE 200 X 2.5 NATURAL	6	
VELCRO STRAPS 3/4"X8"	8	
LABEL-FMS2 LASER WARNING	2	
METRIC KIT RACK/CABINET SCREW,CAGENUT AND WASHER, BLACK-SET OF 4	1	FOR 180660016 & 180660135 ONLY
METRIC KIT RACK/CABINET SCREW,CAGENUT AND WASHER, BLACK-SET OF 4	1	FOR 180660028 USA MARKET ONLY
6 FIBER BASED PORT ID LABEL FOR FRONT HINGE DOOR, 4U	1	
12 FIBER BASED PORT ID LABEL FOR FRONT HINGE DOOR, 4U	1	
STRAIN RELIEF BRACKET	4	
BAG PLASTIC 12" X 9" (PACK ALL LISTED THE ITEMS IN IT)	1	
BAG 40UMX100X150MM ZLOCK PS10015 (PACK ITEM A,B,C,E,F,G,H & I)	1	

- FIBER ENCLOSURE WITH ACCESSORY KIT IS PACKED WITHIN A BOX
- PRODUCT PACKAGING LABEL CONTAINS QR CODE FOR INSTALLATION INSTRUCTIONS AND WHERE QR CODE IS NOT AVAILABLE HARD COPY WILL BE SUPPLIED.



FUNCTIONAL SYMBOLS FA = 0 FC = 0 FP = 0	THIS DRAWING CONTAINS INFORMATION THAT IS PROPRIETARY TO MOLEX ELECTRONIC TECHNOLOGIES, LLC AND SHOULD NOT BE USED WITHOUT WRITTEN PERMISSION		CURRENT REV DESC:		
	DIMENSION UNITS	SCALE	EC NO: 722326 DRWN: PKH CHKD: RCG APPR: RCG		
GENERAL TOLERANCES (UNLESS SPECIFIED)		4 PLACES ±		2020/02/28	PRODUCT CUSTOMER DRAWING
ANGULAR TOL ± 0.5°		3 PLACES ±		2023/01/06	
2 PLACES ±		1 PLACE ± 2.0		2023/01/06	DOCUMENT NUMBER
0 PLACES ±		INITIAL REVISION:		2006/05/18	SD-18066-001
DRAFT WHERE APPLICABLE MUST REMAIN WITHIN DIMENSIONS		DRWN: GPRASAD		2006/05/18	DOC TYPE DOC PART REVISION
THIRD ANGLE PROJECTION		APPR: JKUMAR			PSD 001 B
DRAWING		SERIES		MATERIAL NUMBER	
A1-SIZE		18066		SEE TABLE	
CUSTOMER		GENERAL MARKET		SHEET NUMBER	
				1 OF 1	