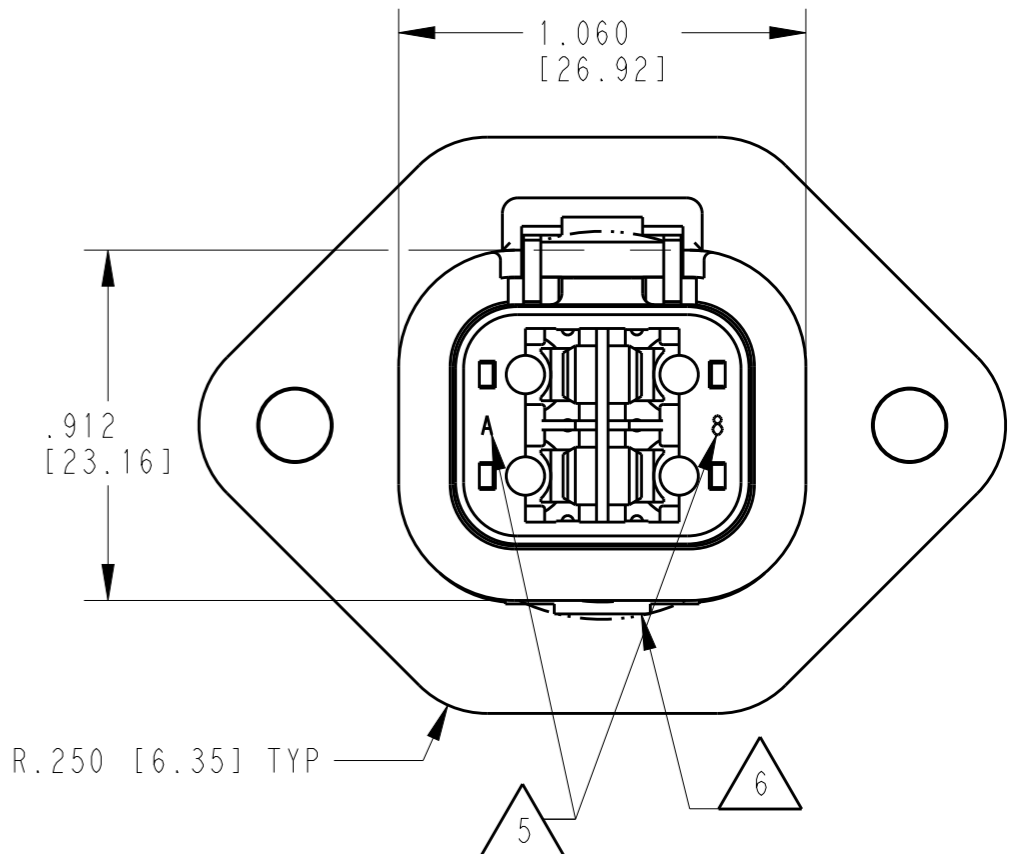
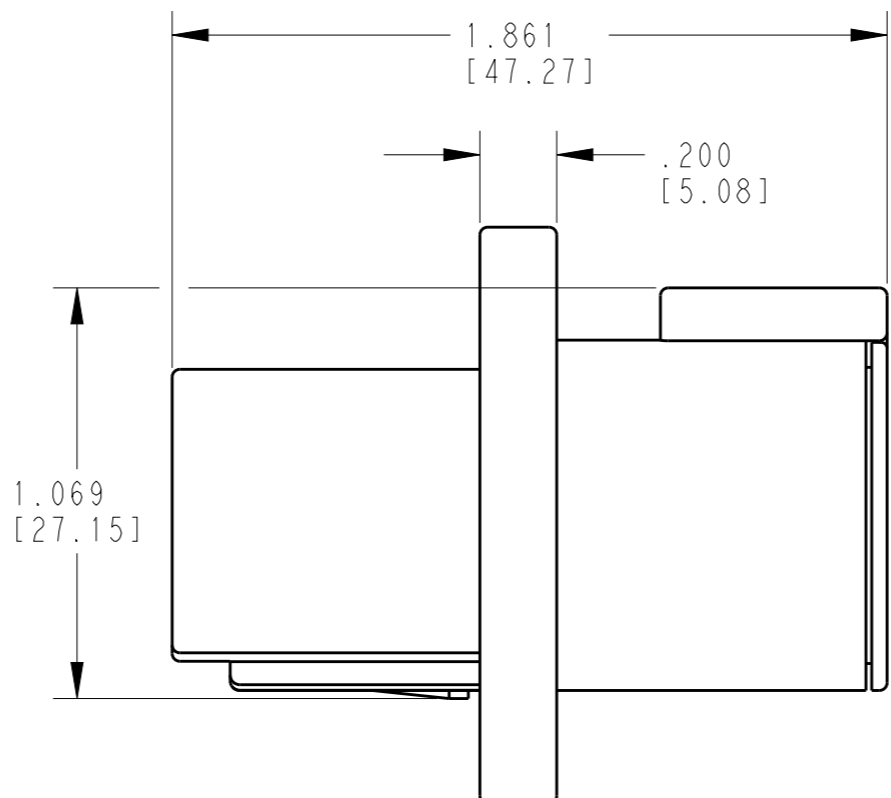
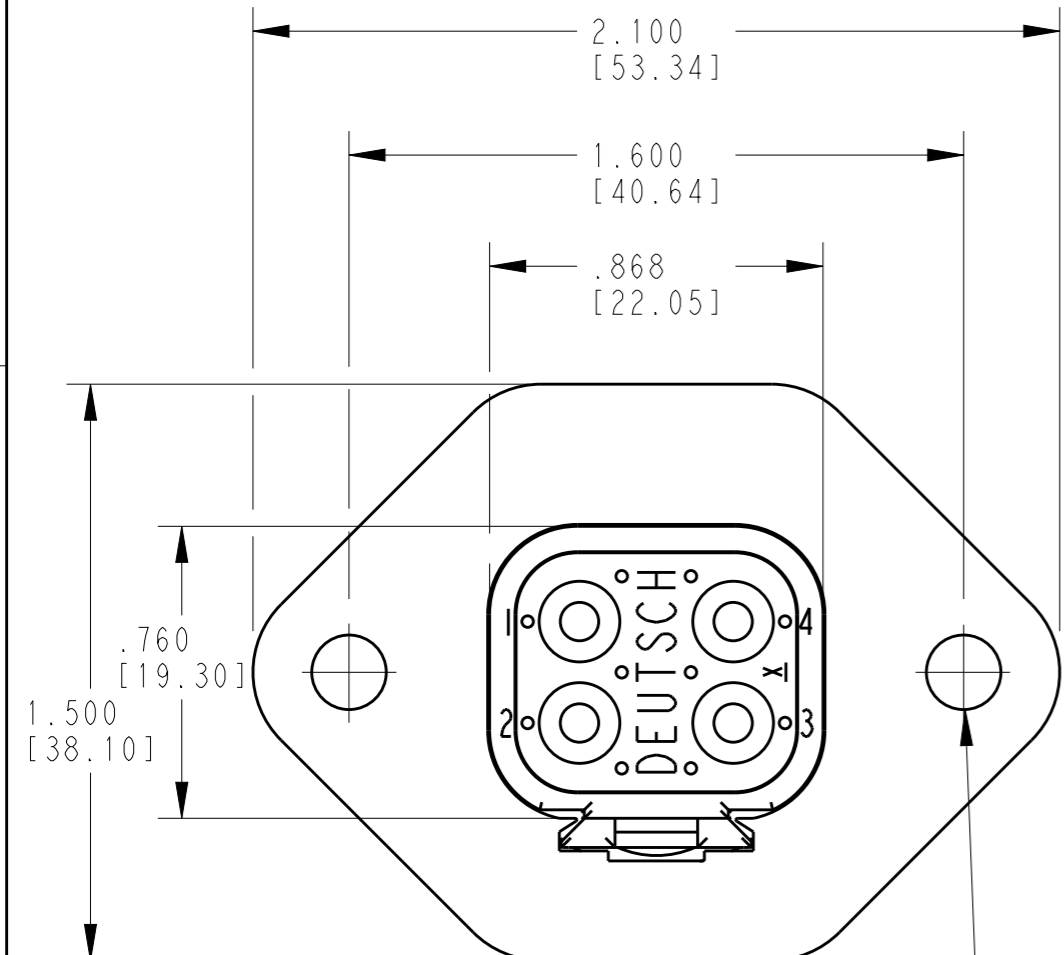
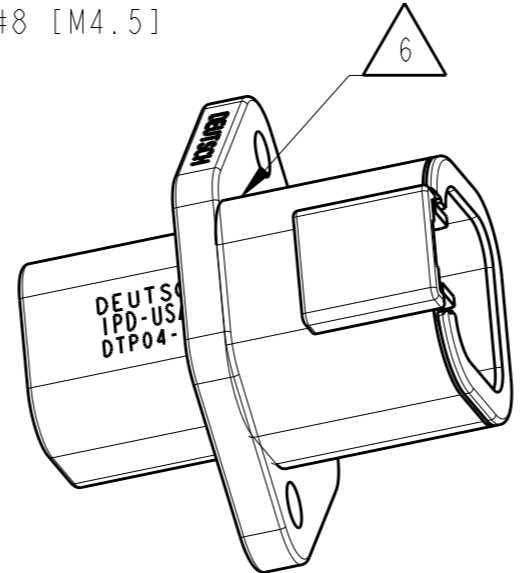


THIS DRAWING IS UNPUBLISHED  
RELEASED FOR PUBLICATION  
2015  
COPYRIGHT 2015 BY - TE CONNECTIVITY ALL RIGHTS RESERVED.

LOC	DIST	REVISIONS			
P	LTR	DESCRIPTION	DATE	DWN	APVD
	D	REVISED PER E.O. P20373	23DEC2009	-	RDR
	E	REVISED PER ECO-15-003592	10APR2015	VNB	DM
	E1	REVISED PER ECO-16-015651	31OCT2016	JA	DM
	E2	REVISED PER PCN-19-016424	22OCT2019	MK	DM



2X Ø.194 [4.93]  
CLEARANCE FOR #8 [M4.5]



- 7 OPTIONAL GASKET DTP4P-L012-GKT IS INTENDED FOR DUST AND NON PRESSURIZED FLUID SPLASH ONLY (SEE SHEET 2)
- 6 WELD SEAM IS NOT SEALED.
- 5 DATE CODE: MONTH IS REPRESENTED BY SEQUENTIAL ALPHA CHARACTERS. EX: A=JANUARY. YEAR IS REPRESENTED BY THE LAST DIGIT. EX: 8=2008
- 4 MATERIAL:  
RECEPTACLE: PA66 GF15 (GREY)  
SEAL RETAINER: PA66 GF15 (GREY)  
INTERFACE SEAL: SILICONE, PHENYL FLUID LUBED (GREEN)  
FLANGE: PA66 GF15 (GREY)

	TE INTERNAL PN		DEUTSCH PN	
		DTP04-4P-L012	DTP04-4P-L012	
CONTACT SIZE	MIN. INSUL. O.D.	MAX INSUL. O.D.	WIRE RANGE [mm <sup>2</sup> ] REF ONLY	
12	.134 [3.40]	.170 [4.32]	10-14 AWG [5.0-2.0]	

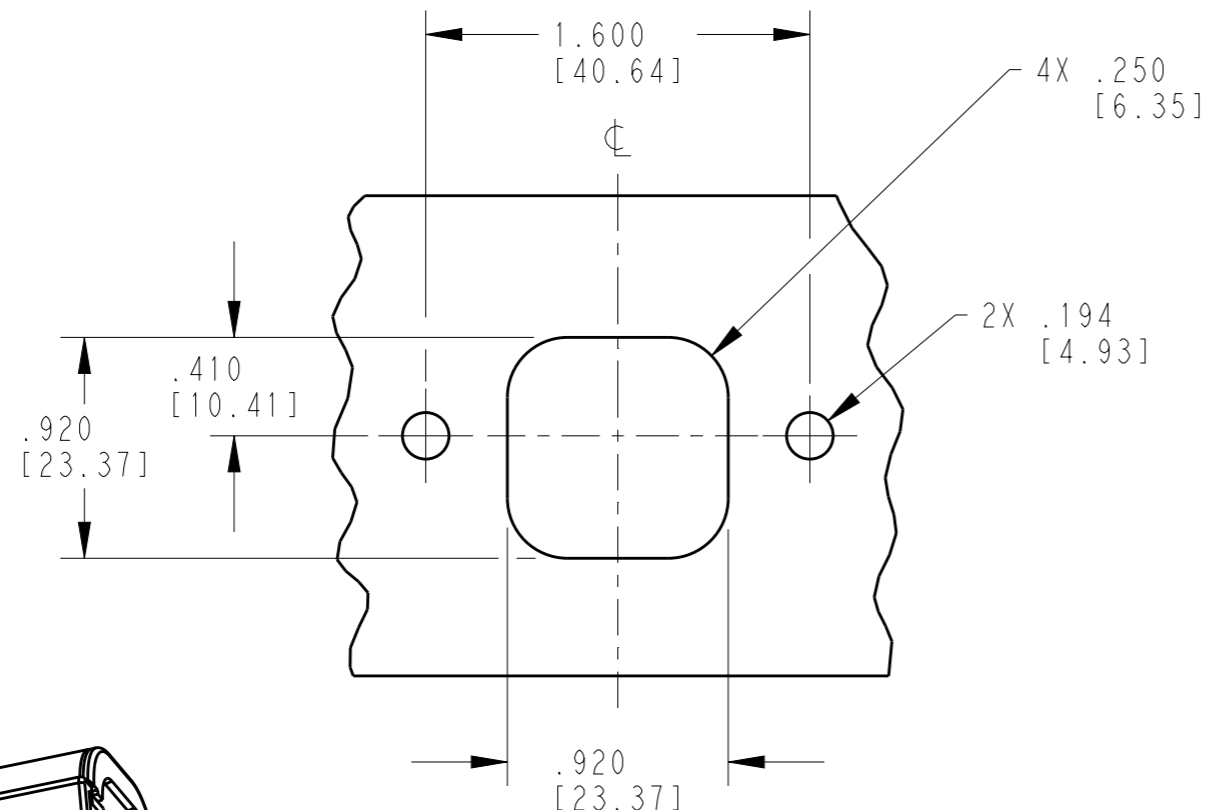
- 3. THIS RECEPTACLE MATES WITH DTP06-4S-XXXX PLUG. (XXXX = ALL MODIFICATIONS)
- 2. SECONDARY WEDGE LOCK SOLD SEPARATELY: WP-4P-XXXX (XXXX = ALL MODIFICATIONS)
- 1 DIMENSION TOLERANCE: ±.025 [.64], EXCEPT FOR PANEL CUTOUT: ±.010 [.25]. SEE SHEET 2.

NOTES:

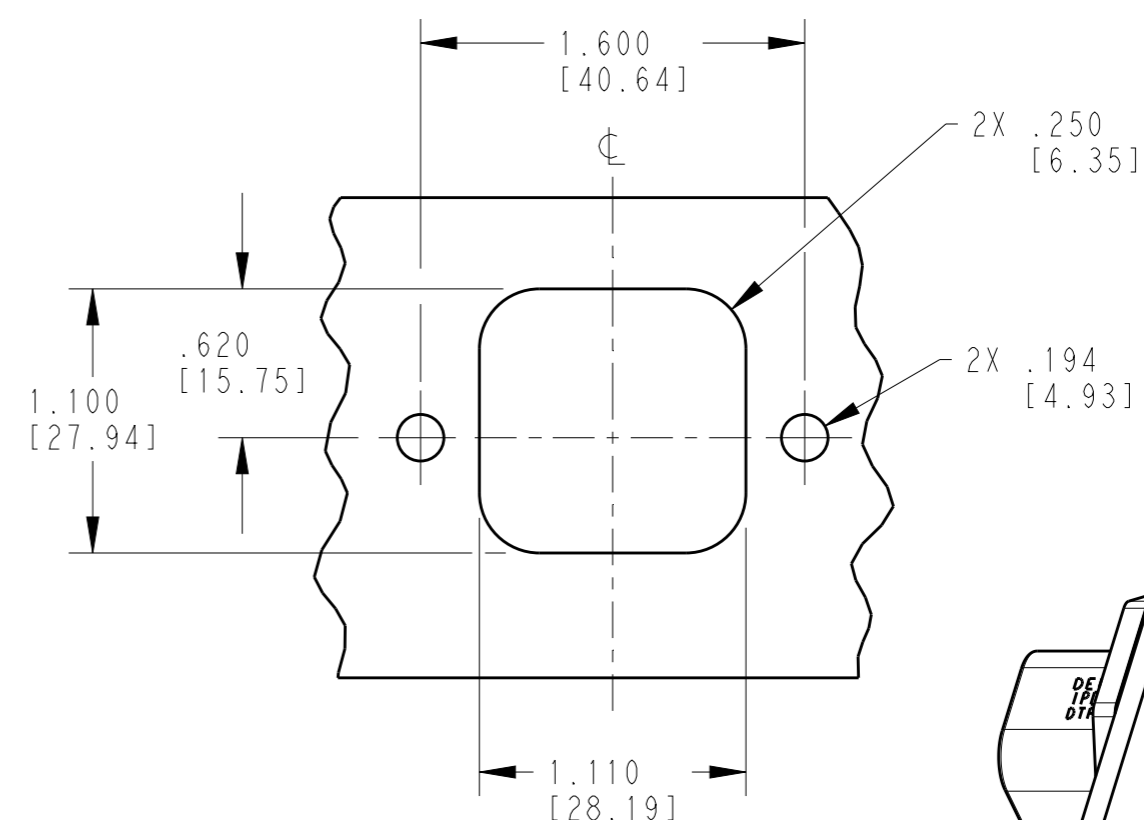
THIS DRAWING IS A CONTROLLED DOCUMENT.		DWN S. PALLUTH 24OCT2000	<b>TE</b> TE Connectivity	
DIMENSIONS: INCHES [mm]		CHK B. BAYFORD 23DEC2009		
TOLERANCES UNLESS OTHERWISE SPECIFIED:		APVD R. REED 18DEC2009	NAME RECEPTACLE 4 CONTACTS, SIZE 12 DTP SERIES	
0 PLC ± 1		PRODUCT SPEC 108-151012	RESTRICTED TO	
1 PLC ± 2		APPLICATION SPEC 0425-015-0000	SIZE A3	CAGE CODE 4AFU8
2 PLC ± 3		WEIGHT 21.2g	DRAWING NO C-DTP04-4P-L012	
3 PLC ± 4		CUSTOMER DRAWING	SCALE 2:1 SHEET 1 OF 2 REV E2	
4 PLC ± ANGLES ±				
FINISH				

THIS DRAWING IS UNPUBLISHED  
 RELEASED FOR PUBLICATION 2015  
 © COPYRIGHT 2015 BY - TE CONNECTIVITY ALL RIGHTS RESERVED.

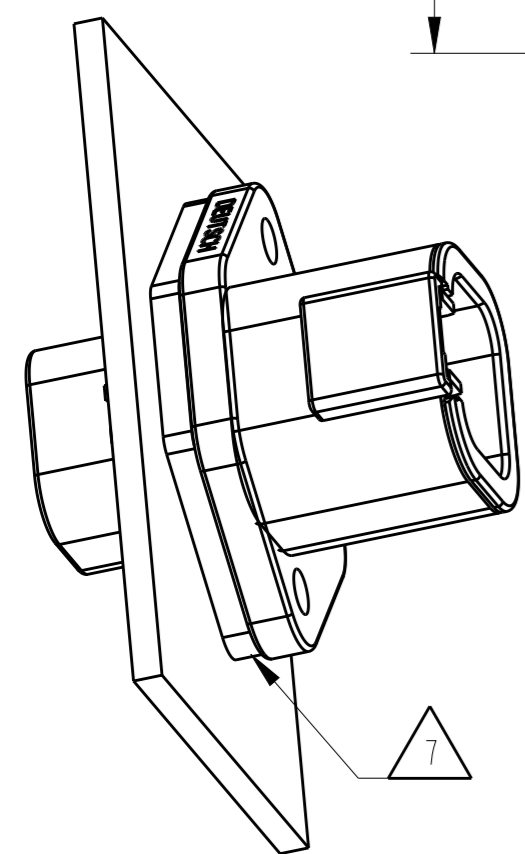
LOC	DIST	REVISIONS			
P	LTR	DESCRIPTION	DATE	DWN	APVD
		SEE SHEET 1	-	-	-



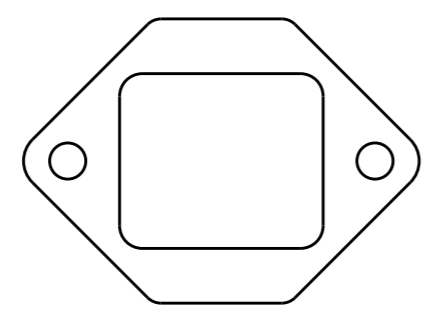
**RECOMMENDED CUTOUT  
FRONT MOUNT**



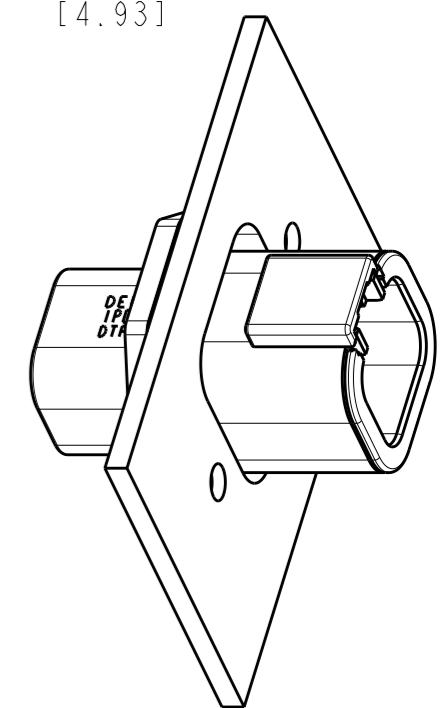
**RECOMMENDED CUTOUT  
REAR MOUNT**





**FRONT MOUNT  
REFERENCE VIEW**



OPTIONAL GASKET DTP4P-L012-GKT



**REAR MOUNT  
REFERENCE VIEW**

THIS DRAWING IS A CONTROLLED DOCUMENT.		DWN S. PALLUTH 24OCT2000	 TE Connectivity		
DIMENSIONS: INCHES [mm]		CHK B. BAYFORD 23DEC2009			
TOLERANCES UNLESS OTHERWISE SPECIFIED:		APVD R. REED 18DEC2009	NAME RECEPTACLE 4 CONTACTS, SIZE 12 DTP SERIES		
0 PLC ± 1 PLC ± 2 PLC ± 3 PLC ± 4 PLC ± ANGLES ±		PRODUCT SPEC 108-151012	RESTRICTED TO		
MATERIAL		APPLICATION SPEC 0425-015-0000	SIZE A3	CAGE CODE 4AFU8	DRAWING NO DTP04-4P-L012
FINISH		WEIGHT 21.2g	SCALE 2:1		SHEET 2 OF 2
		CUSTOMER DRAWING		REV E2	