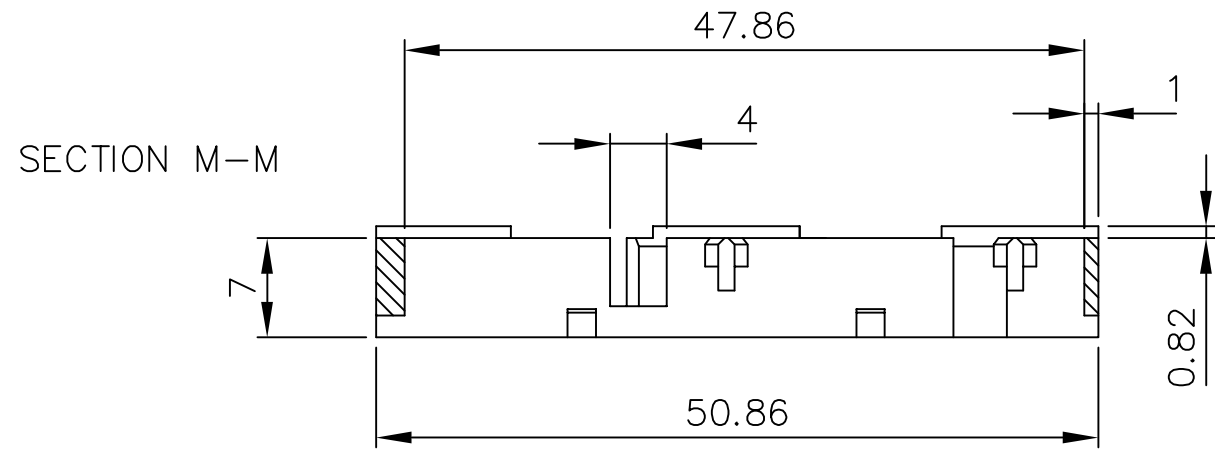
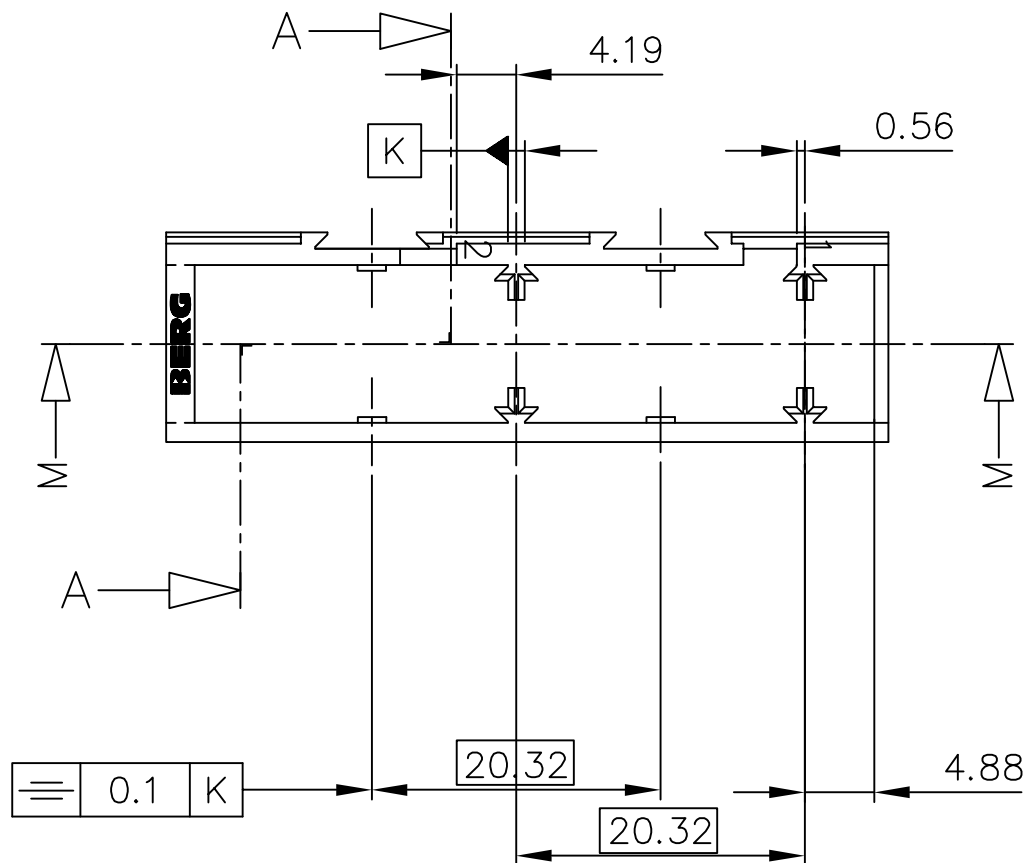
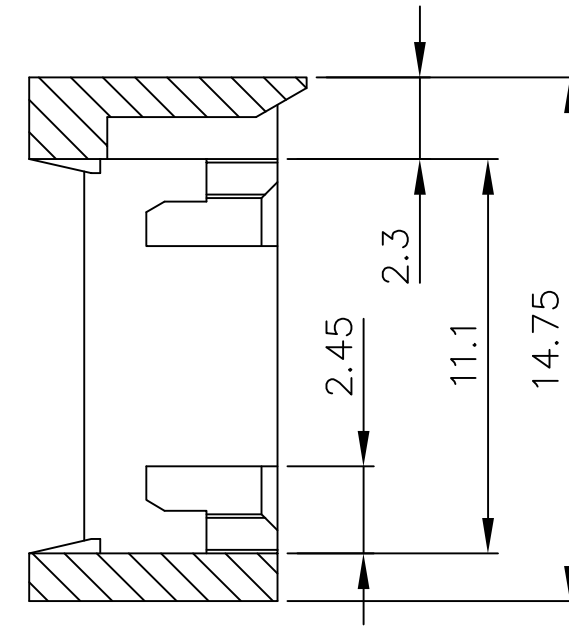


PRODUCT NUMBER	MATERIAL	COLOUR	FLAME RETARDANT
85261-001	PPO	BLACK	UL-94-V1



SECTION A-A
Scale 5:1



NOTES:-

1. THIS PRODUCT MEETS EUROPEAN UNION DIRECTIVES AND OTHER COUNTRY REGULATIONS AS DESCRIBED IN GS-22-008.
2. LEADFREE OR RoHS DIRECTIVE LABELLING TO BE PROVIDED AS PER GS-14-920.
3. " LF " SUFFIX TO PRODUCT NUMBER FOR RoHS COMPATIBLE/ LEADFREE VERSION.
4. PARTS WITH AND WITHOUT "LF " SUFFIX ARE FORM-FIT AND FUNCTIONALLY IDENTICAL. " LF " SUFFIX PROVIDED FOR PART NUMBER STANDARDISATION OF PART THAT MEETS RoHS REQUIREMENTS.

mat'l. code		SEE NOTE		surface	tolerance	projection	product family	
ltr		ecn no	dr	date	ISO 1302	ISO 406	ISO 101	Backpanel
A	H40357	RBE	1994-05-27		tolerances unless otherwise specified	mm	title	
B	F00406	LLA	2000-05-22		angles	linear	LOCKING FRAME	
C	05-0123	MINI	2005-07-27			scale -	MOD. 3x16	
D	05-0248	MINI	2005-11-22	dr	D.LEGRAND	2000-10-10	dwg no	
E	06-0083	MINI	2006-06-01	engr	J.F.NOTTEAU	2000-10-10	sheet 1 of 1	
				chr	RAKHEE GEORGE	2006-06-01	85261	
				app	RAKHEE GEORGE	2006-06-01	A2	
sheet	revision	E					type	
index	sheet	1					CUSTOMER Drawing	