

NOTES:

1. MATERIALS:
HOUSING: LIQUID CRYSTAL POLYMER (LCP), UL94V-0, BLACK
TERMINALS: COPPER ALLOY
2. FINISH:
CONTACT AREA: 30μ INCH MINIMUM GOLD OVER NICKEL
COMPLIANT AREA: TIN (LEAD-FREE) OVER NICKEL
3. PRODUCT SPECIFICATION: PS-172374-999
4. PACKAGING SPECIFICATION: PK-172700-9001
5. MATES WITH STANDARD BP 76155.
6. APPLICATION SPECIFICATION: AS-76060-9997
7. COSMETIC SPECIFICATION" PS-45499-002.
8. ROUTING GUIDE AS-172374-0001
9. MARKINGS: LOCATED APPROXIMATELY AS SHOWN
PART NUMBER & DATE CODE
10. ALIGNMENT RIBS USED FOR GUIDANCE INTO THE MATING HEADER
AND THE LOCATIONS WILL CHANGE WITH NUMBER OF COLUMNS.
11. WHEN USING MOLEX SUPPLIED #2-32 SCREW 73726-0000 (9.50MM±0.38
THREADABLE SCREW LENGTH), THE MAXIMUM BOARD THICKNESS IS 4.4MM.

PRE-RELEASE
REFERENCE
USE ONLY

10 COLUMN CONNECTOR SHOWN
FOR REFERENCE ONLY

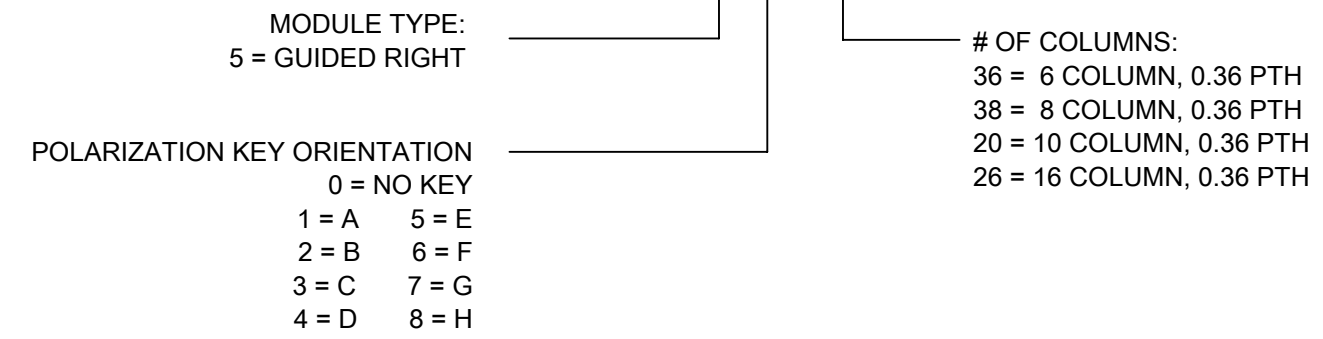
THIS DRAWING CONTAINS INFORMATION THAT IS PROPRIETARY TO MOLEX ELECTRONIC TECHNOLOGIES, LLC AND SHOULD NOT BE USED WITHOUT WRITTEN PERMISSION									
DIMENSION UNITS	SCALE	CURRENT REV DESC: ADDED XRAY SERIES MARKING IN SHEET 1 @ D8			molex				
mm	NTS								
GENERAL TOLERANCES (UNLESS SPECIFIED)		EC NO: 667795			IMPACT ZX2 4 PAIR STANDARD DAUGHTERCARD GUIDE RIGHT ASSEMBLY SALES DRAWING				
ANGULAR TOL ± 0.5°		DRWN: YOGEEB 2021/05/26							
4 PLACES ±		CHK'D:			PRODUCT CUSTOMER DRAWING				
3 PLACES ±		APPR:							
2 PLACES ± 0.13		INITIAL REVISION:			DOCUMENT NUMBER: SD-172699-0003 DOC TYPE: PSD DOC PART: 000 REVISION: B1				
1 PLACE ± 0.25		DRWN: JLONG 2015/06/24							
0 PLACES ±		APPR: TELO 2017/01/24			MATERIAL NUMBER: SEE TABLE CUSTOMER: GENERAL MARKET SHEET NUMBER: 1 OF 4				
DRAFT WHERE APPLICABLE MUST REMAIN WITHIN DIMENSIONS		THIRD ANGLE PROJECTION	DRAWING: B-SIZE	SERIES: 172699					

DOCUMENT STATUS	RV	RELEASE DATE
-----------------	----	--------------

PART NUMBER	# OF COLUMNS	# OF DIFF PAIRS	DIM A MAX	DIM B	PTH ϕ
172699-5036	6	24	19.00	9.50	0.36±0.05
172699-5038	8	32	22.80	13.30	0.36±0.05
172699-5020	10	40	26.60	17.10	0.36±0.05
172699-5026	16	64	38.00	28.50	0.36±0.05

PART NUMBER LOGIC

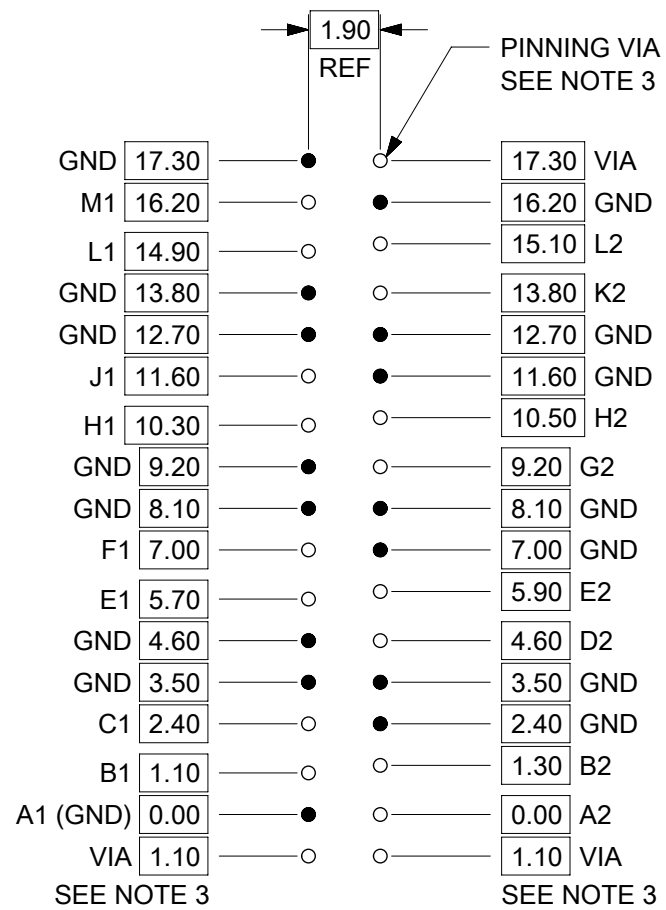
172699- * * * *



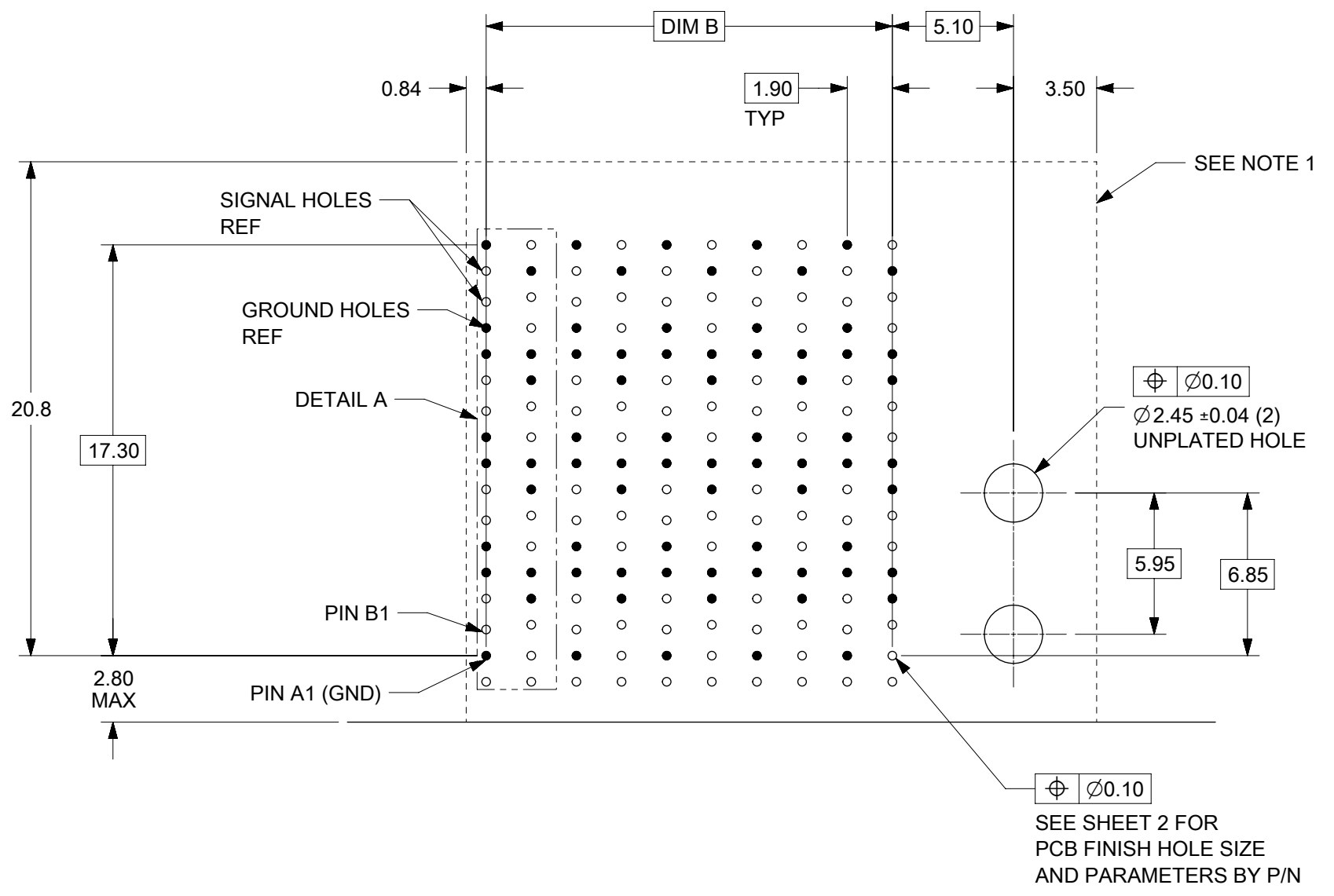
NOTE:
1. KEYING FEATURES WILL CHANGE WITH COLUMN SIZES.

THIS DRAWING CONTAINS INFORMATION THAT IS PROPRIETARY TO MOLEX ELECTRONIC TECHNOLOGIES, LLC AND SHOULD NOT BE USED WITHOUT WRITTEN PERMISSION										
DIMENSION UNITS mm	SCALE NTS	CURRENT REV DESC: ADDED XRAY SERIES MARKING IN SHEET 1 @ D8								
GENERAL TOLERANCES (UNLESS SPECIFIED)		EC NO: 667795								IMPACT ZX2 4 PAIR STANDARD DAUGHTERCARD GUIDE RIGHT ASSEMBLY SALES DRAWING
ANGULAR TOL ± 0.5°	4 PLACES ±	DRWN: YOGEEB 2021/05/26			PRODUCT CUSTOMER DRAWING					
3 PLACES ±	2 PLACES ± 0.13	CHK'D:			DOCUMENT NUMBER					
1 PLACE ± 0.25	0 PLACES ±	APPR:			SD-172699-0003			DOC TYPE	DOC PART	REVISION
INITIAL REVISION:		DRWN: JLONG 2015/06/24			PSD			000	B1	
DRAFT WHERE APPLICABLE MUST REMAIN WITHIN DIMENSIONS		THIRD ANGLE PROJECTION	DRAWING	SERIES	MATERIAL NUMBER	CUSTOMER	SHEET NUMBER			
			B-SIZE	172699	SEE TABLE	GENERAL MARKET	2 OF 4			

DOCUMENT STATUS	RV	RELEASE DATE	
-----------------	----	--------------	--



DETAIL A
SCALE 5:1



SEE SHEET 2 FOR
PCB FINISH HOLE SIZE
AND PARAMETERS BY P/N

DAUGHTERCARD HOLE PATTERN (CONNECTOR SIDE)

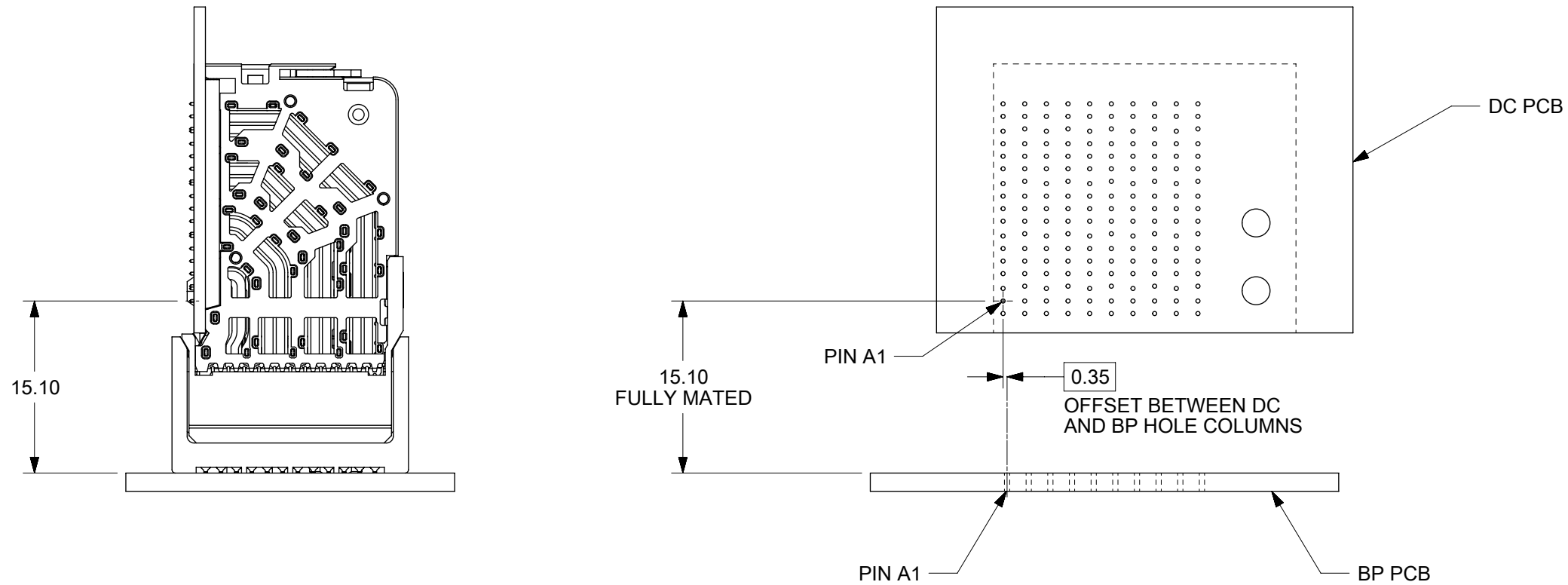
PRE-RELEASE
REFERENCE
USE ONLY

- NOTES:**
1. THESE DIMENSIONS REPRESENT THE AREA NEEDED TO ACCOMMODATE CONNECTOR INSERTION AND REPAIR ON THE PCB. THIS IS REFERRED TO AS THE "CONNECTOR KEEP OUT ZONE" AND DOES NOT REPRESENT THE ACTUAL PERIMETER OF THE CONNECTOR.
 2. MINIMUM PCB THICKNESS: 1.0 MM
 3. PINNING VIAS ONLY - NOT FOR CONNECTOR TAILS.

THIS DRAWING CONTAINS INFORMATION THAT IS PROPRIETARY TO MOLEX ELECTRONIC TECHNOLOGIES, LLC AND SHOULD NOT BE USED WITHOUT WRITTEN PERMISSION									
DIMENSION UNITS	SCALE	CURRENT REV DESC: ADDED XRAY SERIES MARKING IN SHEET 1 @ D8			molex				
mm	NTS				IMPACT ZX2 4 PAIR STANDARD DAUGHTERCARD GUIDE RIGHT ASSEMBLY SALES DRAWING				
GENERAL TOLERANCES (UNLESS SPECIFIED)		EC NO: 667795			PRODUCT CUSTOMER DRAWING				
ANGULAR TOL	± 0.5°	DRWN: YOGEEB 2021/05/26			DOCUMENT NUMBER				
4 PLACES	±	CHK'D:			SD-172699-0003				
3 PLACES	±	APPR:			DOC TYPE		DOC PART	REVISION	
2 PLACES	± 0.13	INITIAL REVISION:			PSD		000	B1	
1 PLACE	± 0.25	DRWN: JLONG 2015/06/24							
0 PLACES	±	APPR: TELO 2017/01/24							
DRAFT WHERE APPLICABLE MUST REMAIN WITHIN DIMENSIONS		THIRD ANGLE PROJECTION	DRAWING	SERIES	MATERIAL NUMBER	CUSTOMER		SHEET NUMBER	
			B-SIZE	172699	SEE TABLE	GENERAL MARKET		3 OF 4	

DOCUMENT STATUS	RV	RELEASE DATE	
-----------------	----	--------------	--

IMPACT ZX2 4 PAIR BOARD RELATIONSHIP (DATAPLANE BP 76155 SHOWN)



PRE-RELEASE
REFERENCE
USE ONLY

NOTES:
1. SEE DESIGN GUIDE FOR ADDITIONAL MATING COMBINATIONS.

THIS DRAWING CONTAINS INFORMATION THAT IS PROPRIETARY TO MOLEX ELECTRONIC TECHNOLOGIES, LLC AND SHOULD NOT BE USED WITHOUT WRITTEN PERMISSION											
DIMENSION UNITS	SCALE	CURRENT REV DESC: ADDED XRAY SERIES MARKING IN SHEET 1 @ D8					molex				
mm	NTS	EC NO: 667795 DRWN: YOGEEB CHK'D: APPR:					IMPACT ZX2 4 PAIR STANDARD DAUGHTERCARD GUIDE RIGHT ASSEMBLY SALES DRAWING				
GENERAL TOLERANCES (UNLESS SPECIFIED)		2021/05/26					PRODUCT CUSTOMER DRAWING				
ANGULAR TOL ± 0.5°		INITIAL REVISION:					DOCUMENT NUMBER	DOC TYPE	DOC PART	REVISION	
4 PLACES ±		DRWN: JLONG APPR: TELO					SD-172699-0003	PSD	000	B1	
3 PLACES ±		2015/06/24 2017/01/24					MATERIAL NUMBER		CUSTOMER		SHEET NUMBER
2 PLACES ± 0.13		DRAFT WHERE APPLICABLE MUST REMAIN WITHIN DIMENSIONS		THIRD ANGLE PROJECTION		SEE TABLE	GENERAL MARKET		4 OF 4		
1 PLACE ± 0.25		DRAWING		SERIES		B-SIZE		172699			
0 PLACES ±		B-SIZE		172699		SEE TABLE		GENERAL MARKET		4 OF 4	

DOCUMENT STATUS	RV	RELEASE DATE	
-----------------	----	--------------	--