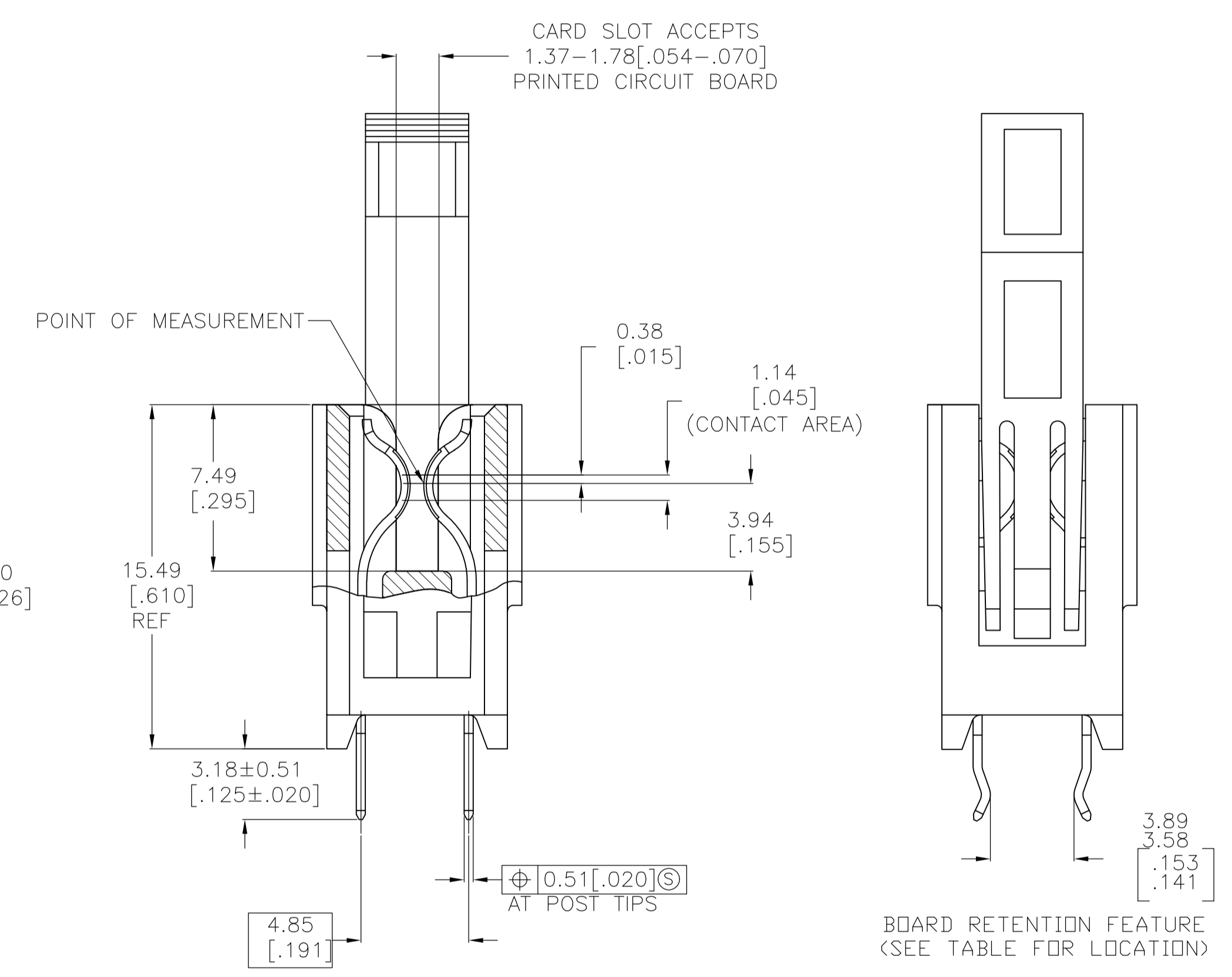
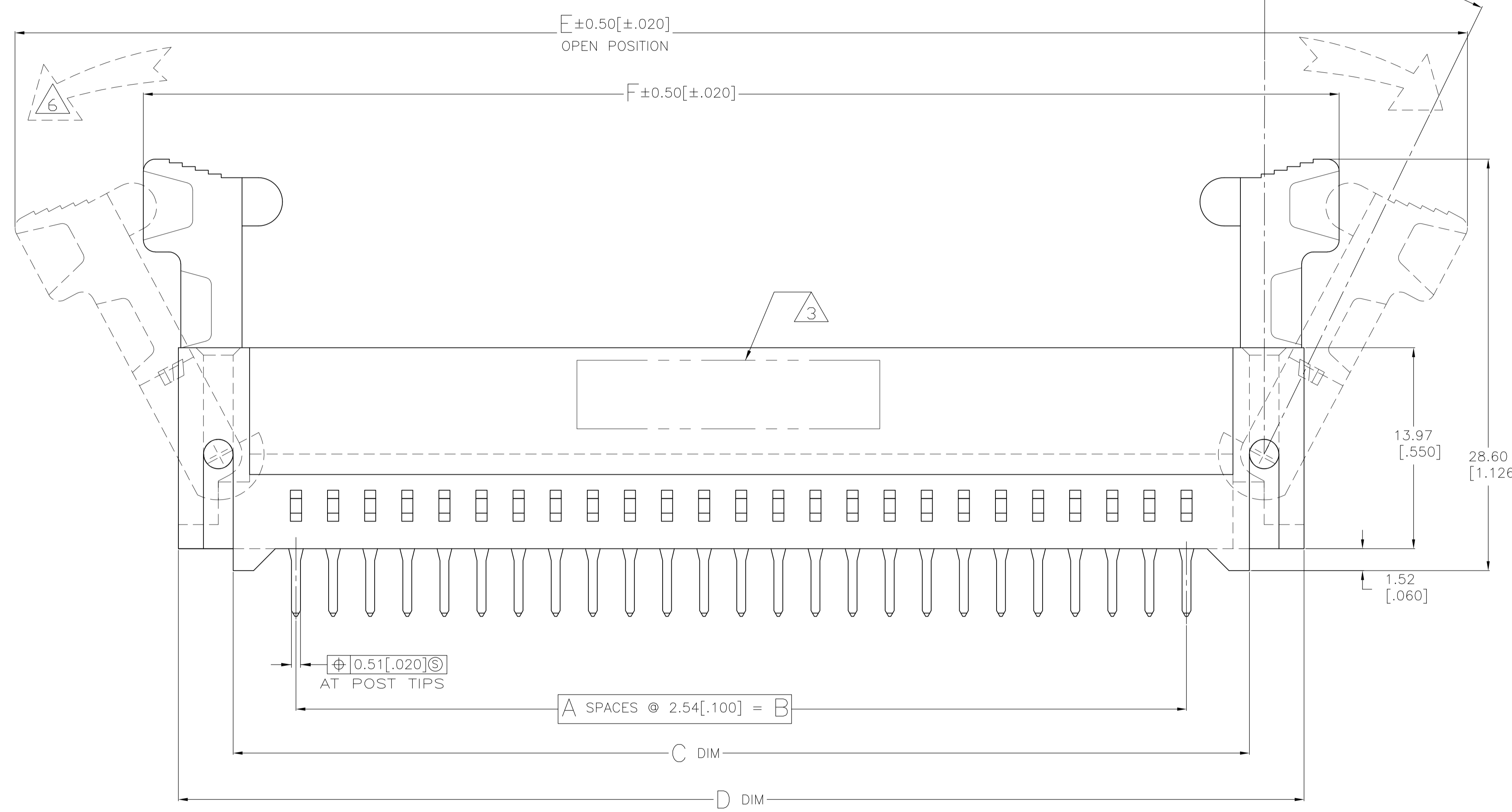


- MATERIAL:
HOUSING: GLASS FILLED POLYESTER, COLOR: BLACK.
CONTACT: PHOSPHOR BRONZE
LATCH: GLASS FILLED POLYESTER, COLOR: BLACK
- FINISH:
0.00076[.000030] MIN GOLD PLATE IN CONTACT AREA,
0.00254[.000100] MIN MATTE TIN ON SOLDER POSTS, ALL
OVER 0.00127[.000050] MIN NICKEL
- AMP LOGO, TE PART NUMBER, DATE CODE AND CSA LOGO INK
STAMPED WHITE (HOT STAMPED OR LAZER PRINTED) IN THE APPROXIMATE
AREA SHOWN, EITHER SIDE PERMISSABLE, WHEN HOUSING SIZE PERMITS
- DATUMS AND BASIC DIMENSIONS ESTABLISHED BY CUSTOMER
- CONNECTORS SHOWN ARE USED IN APPLICATIONS WITH VRM MODULES WEIGHING
3 OUNCES OR LESS. ALTERNATE CONNECTOR AND LATCH METHOD IS AVAILABLE FOR
VRM MODULES WEIGHING UP TO 6 OUNCES.
- CAUTION: LATCHES ARE INTENDED FOR RETENTION OF PC BOARD TO CONNECTOR,
DO NOT ATTEMPT TO FULLY EJECT PC BOARD FROM CONNECTOR WHILE DISENGAGING
LATCHES. DAMAGE TO LATCHES AND OR CONNECTOR MAY OCCUR



| | |
|---------------------|-------------|
| OBsolete | 5145432-7 |
| OBsolete | 5145432-6 |
| OBsolete | 5145432-4 |
| OBsolete | 5145432-3 |
| | PART NUMBER |

| | | | | | | | | | | | | | | | | |
|----------------------------------|-------------------------------------------|--------------------------|------------------|------------------|----|----|----|------------------|------------------|-------------------|------------------|------------------|------------------|----|-----------------------|----------------|
| 2, 3, 23, 24, 27, 28, 48, 49 | 21 & 22 | 44 | 11.25 [.443] | 54.43 [2.143] | 50 | 26 | 25 | 52.07 [2.050] | 79.60 [3.130] | 97.10 [3.820] | 74.78 [2.944] | 67.28 [2.649] | 60.96 [2.400] | 24 | 25 | 5145432-8 |
| 2, 3, 29, 30, 33, 34, 60, 61 | 7 & 8 | 6 | 62.05 [2.443] | 18.87 [.743] | 62 | 32 | 31 | 16.51 [.650] | 94.80 [3.730] | 112.40 [4.420] | 90.02 [3.544] | 82.52 [3.249] | 76.20 [3.000] | 30 | 31 | 5145432-5 |
| 2, 3, 23, 24, 27, 28, 48, 49 | 17 & 18 | 44 | 21.41 [.843] | 44.27 [1.743] | 50 | 26 | 25 | 41.91 [1.650] | 79.60 [3.130] | 97.10 [3.820] | 74.78 [2.944] | 67.28 [2.649] | 60.96 [2.400] | 24 | 25 | 5145432-2 |
| RETENTION FEATURE LOCATION | MOLDED-IN KEYING FEATURE BETWEEN | OMITTED PIN & HOLE | P | N | K | J | H | G | F | E | D | C | B | A | NO OF DUAL POSN | PART NUMBER |

THIS DRAWING IS A CONTROLLED DOCUMENT.

| | | | | | | | | | | | | | | | | | |
|----------------------------|-------------------------------------------|-----------------------------------|----------------------------|------------------|-------------|-------------------|------------|--------------|------------|------------|------------|---------------|------------|------------|------------|------------|------------|
| DIMENSIONS: mm [INCHES] | TOLERANCES UNLESS OTHERWISE SPECIFIED: | DWN AWF/L.A.MAYER 01APR2008 | AWF/L.A.MAYER 01APR2008 | 01APR2008 | 01APR2008 | 01APR2008 | 01APR2008 | 01APR2008 | 01APR2008 | 01APR2008 | 01APR2008 | 01APR2008 | 01APR2008 | 01APR2008 | 01APR2008 | 01APR2008 | 01APR2008 |
| 0 PLC ± - | 1 PLC ± - | 2 PLC ± - | 3 PLC ± 0.13[.005] | 4 PLC ± - | ANGLES ± 2° | FINISH SEE NOTE 2 | SEE NOTE 1 | SEE NOTE 2 | SEE NOTE 1 | SEE NOTE 2 | SEE NOTE 1 | SEE NOTE 2 | SEE NOTE 1 | SEE NOTE 2 | SEE NOTE 1 | SEE NOTE 2 | SEE NOTE 1 |
| MATERIAL SEE NOTE 1 | | FINISH SEE NOTE 2 | | CUSTOMER DRAWING | | SCALE 5:1 | | SHEET 1 OF 2 | | REV C | | RESTRICTED TO | | DRAWING NO | | DRAWING NO | |
| MATERIAL SEE NOTE 1 | | FINISH SEE NOTE 2 | | CUSTOMER DRAWING | | SCALE 5:1 | | SHEET 1 OF 2 | | REV C | | RESTRICTED TO | | DRAWING NO | | DRAWING NO | |

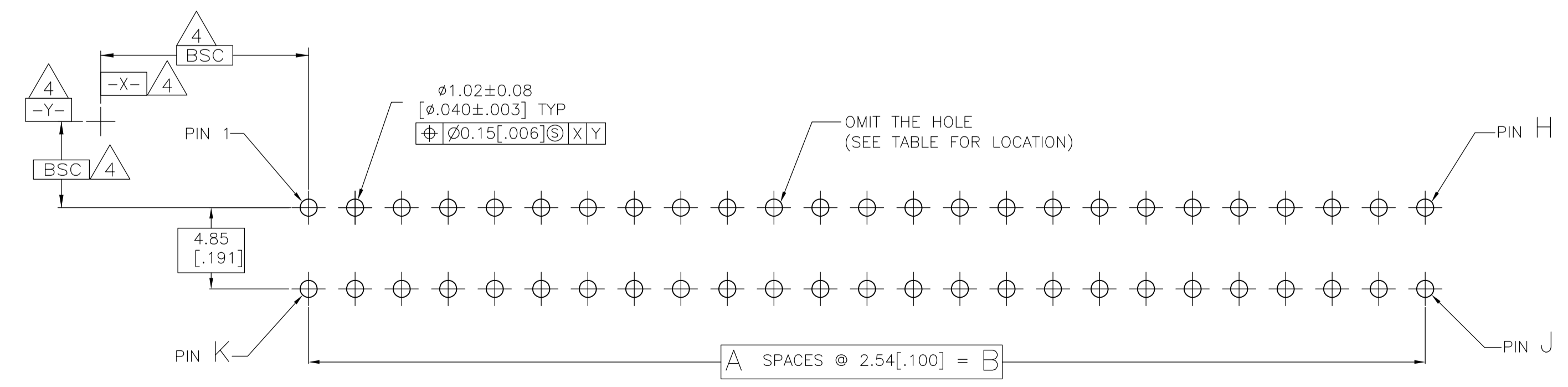
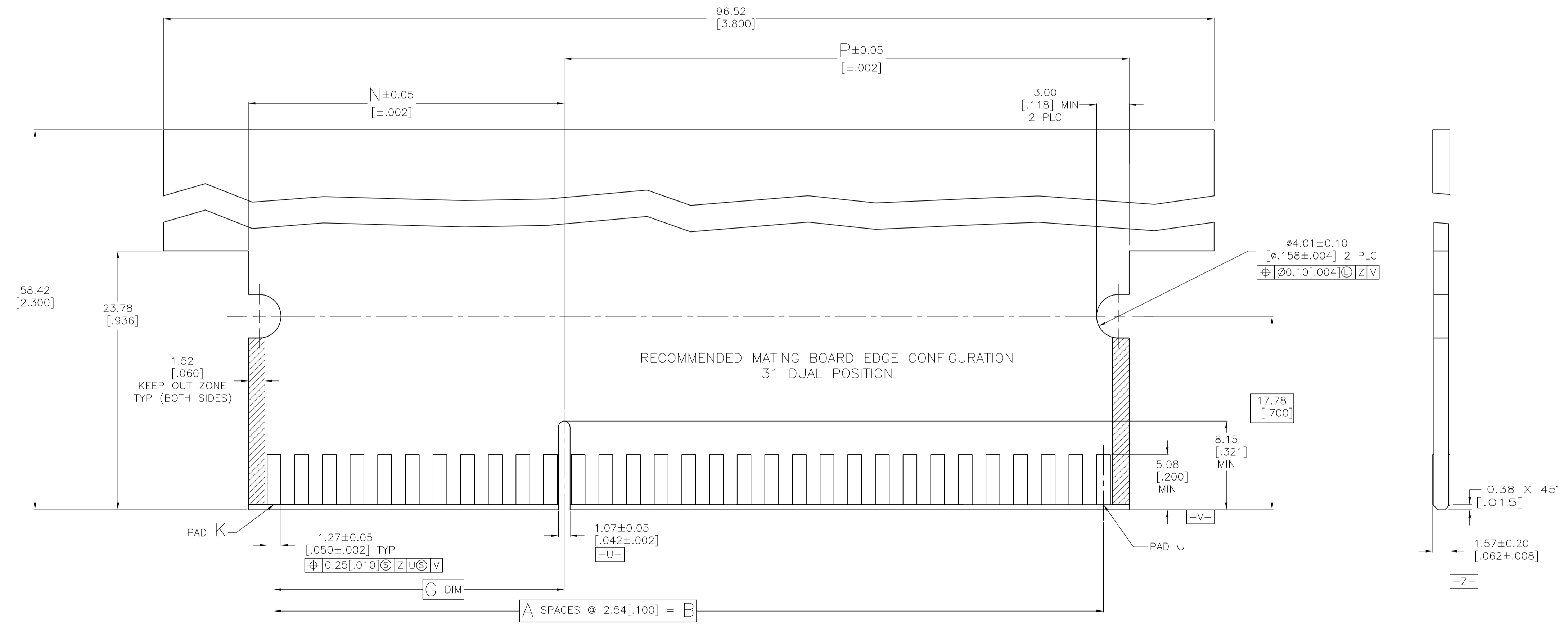
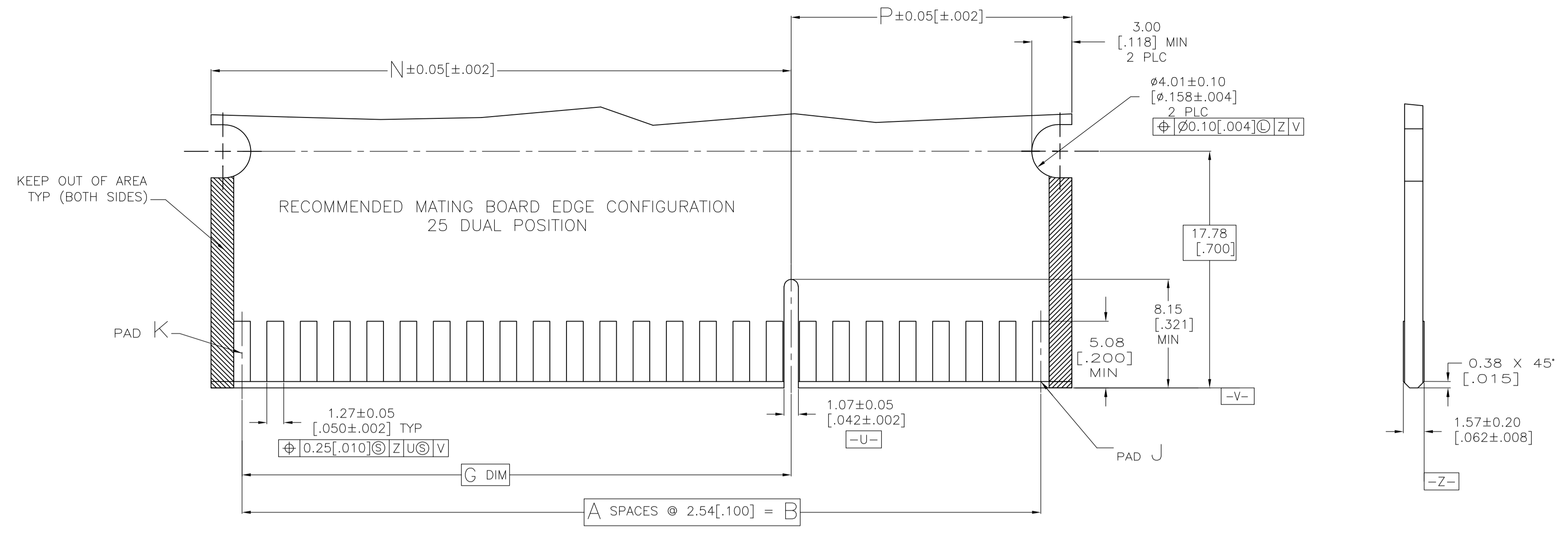
AWF/L.A.MAYER
A.W.FRANTUM
S.FLICKINGER

CONNECTOR ASSEMBLY,
STANDARD EDGE II, DUAL POSITION,
2.54[.100] CENTERLINE

108-9039

114-13018

00779 5145432



RECOMMENDED PC BOARD HOLE LAYOUT

| | | | | | | | |
|----------------------------------------|--|------------------|---------------|-----------|------------------|-----------------------------------------------------------|----------------------------------------------------------------------------------|
| THIS DRAWING IS A CONTROLLED DOCUMENT. | | DIN | AWF/L.A.MAYER | 01APR2008 | Tyco Electronics | Tyco Electronics Corporation Harrisburg, PA 17105-3608 | |
| DIMENSIONS: mm [INCHES] | | CHK | A.W.FRANTUM | 01APR2008 | | NAME | CONNECTOR ASSEMBLY, STANDARD EDGE II, DUAL POSITION, 2.54[.100] CENTERLINE |
| TOLERANCES UNLESS OTHERWISE SPECIFIED: | | APVD | S.FLICKINGER | 01APR2008 | PRODUCT SPEC | 108-9039 | RESTRICTED TO |
| 0 PLC ± - | | APPLICATION SPEC | 114-13018 | | SIZE | CAGE CODE | DRAWING NO |
| 1 PLC ± - | | FINISH | SEE NOTE 2 | WEIGHT | A1 | 00779 | 5145432 |
| 2 PLC ± - | | CUSTOMER DRAWING | | SCALE | 4:1 | SHEET | 2 OF 2 |
| 3 PLC ± 0.13[.005] | | | | REV | C | | |
| 4 PLC ± ± 2° | | | | | | | |