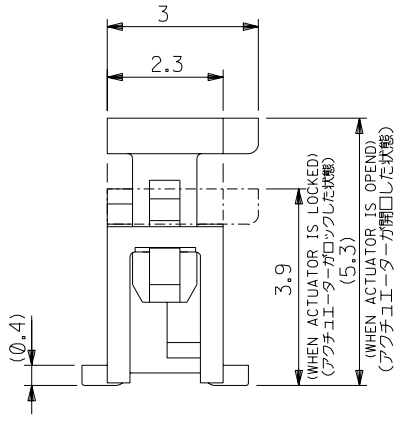
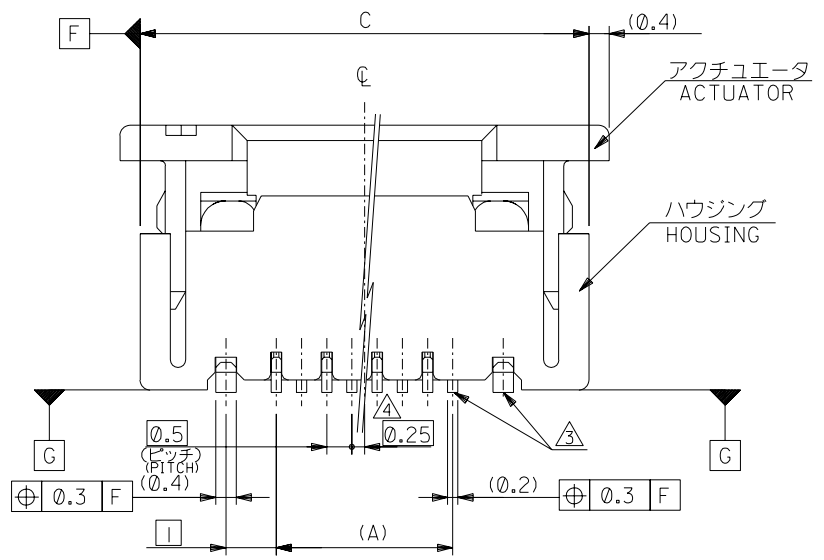
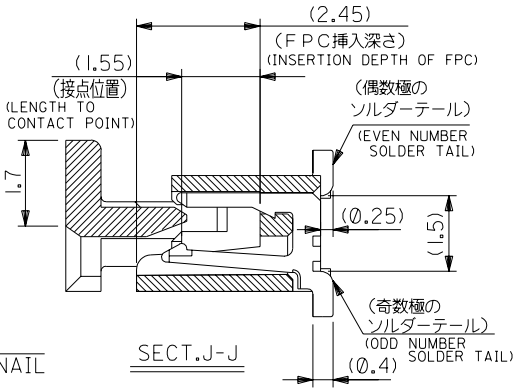
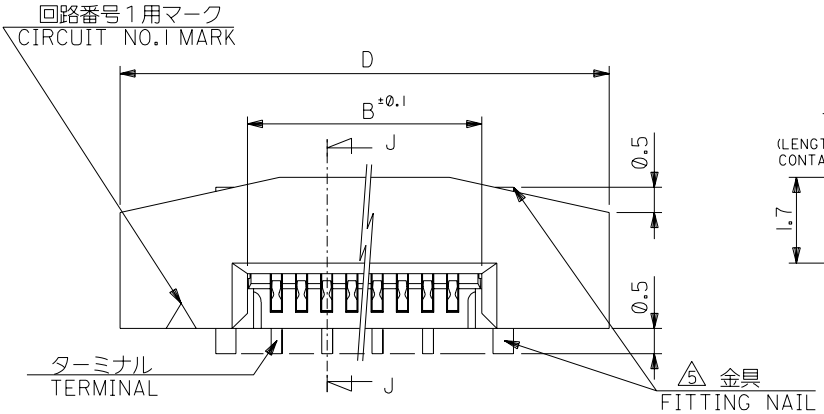


DO NOT SCALE DRAWING

DWG. NO. SD-52559-044



**注記 NOTES**

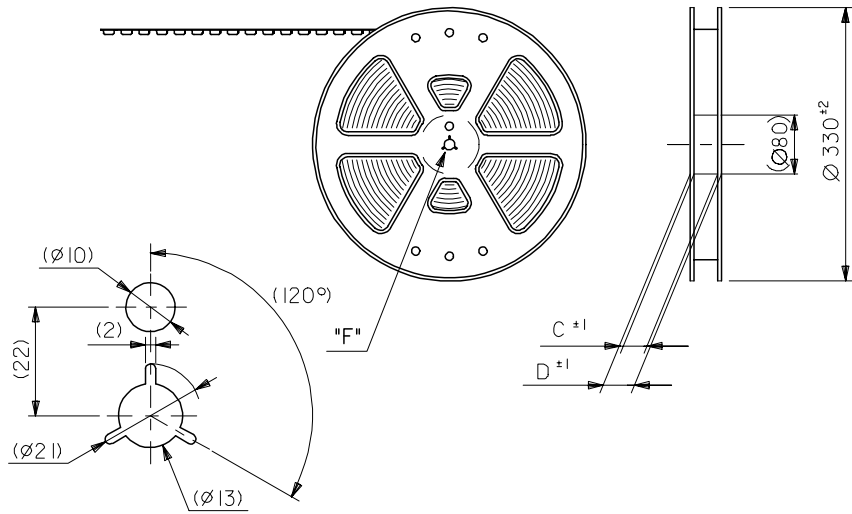
- 使用材料: MATERIAL  
 ハウジング HOUSING :46NYLON UL94V-0  
 アクチュエータ ACTUATOR :PPS UL94V-0  
 ターミナル TERMINAL :リン青銅、銅下地半田メッキ (t=0.2)  
 PHOS-BRO.TIN-LEAD(9:1) 3~5 MICRON METER OVER COPPER 1~2.5 MICRON METER PLATED  
 金具 FITTING NAIL :リン青銅、銅下地半田メッキ (t=0.4)  
 PHOS-BRO.TIN-LEAD(9:1) 3~5 MICRON METER OVER COPPER 1~2.5 MICRON METER PLATED
- エンボステープ梱包時は、アクチュエータがロックした状態とする。  
 IN THE PACKAGE,ACTUATOR OF PART NO.52559-017 SHOULD BE LOCKED.  
 △ソルダータール半田付け面のズレ量、及び金具半田付け面のズレ量は、基準面 G に対し上方向 0.05 MAX.、下方向 0.15 MAX.とする。  
 MISALIGNMENT OF SOLDER TAILS AND FITTING NAILS FROM G  
 UPPER DIRECTION:0.05 MAX.、LOWER DIRECTION:0.15 MAX.
- △偶数種に適用。  
 APPLY FOR EVEN CIRCUIT.
- △パターンはくり止め用金具。  
 FITTING NAIL FOR PREVENTION OF PEELING OF P.C.B. PATTERN.
- △R0.3は、FPCの導体部にかからないこと。  
 R0.3 MUST NOT BE OVERLAPPED TO PATTERN OF FPC.

16 NO. DRAWN: CH'K: APPR: 16 NO. DRAWN: CH'K: APPR: 16 NO. DRAWN: CH'K: APPR: 16 NO. DRAWN: CH'K: APPR:		REDRAWN 16 NO. J2003-2624 DRAWN: K. TOJO CH'K: H. Saito APPR: H. Saito		MATERIAL 材料 注記参照 SEE NOTES		GENERAL TOLERANCES: (UNLESS SPECIFIED) 一般公差 10 UNDER 未満 ±0.2 10 OVER 30 UNDER 未満 ±0.25 30 OVER 以上 ±0.3		SCALE 1:1 DESIGN UNITS ①mm ②INCH DRAWN BY & DATE K. TOJO '03/04/17 CHECKED BY & DATE H. Saito '03/04/17 APPROVED BY & DATE H. Saito '03/04/17		DIMENSIONS: ①mm ②INCH ③mm ONLY SHT 1 OF 2 REV B	
WIRE RANGE 適用層被範囲 INS. RANGE 被覆外径		DESCRIPTION 0.5 (ピッチ) (0.4) (0.25) (0.2)		TITLE: 0.5 FPC Conn. Assy ZIF.		MOLEX MOLEX INCORPORATED		CAD FILENAME SD-52559-044.S01 MATERIAL NO. 52559-017 DRAWING NO. SD-52559-044		SHEET NO. 1 OF 2 SIZE B	

SD-52559-044.S01



引き出し方向  
PULL OUT  
DIRECTION



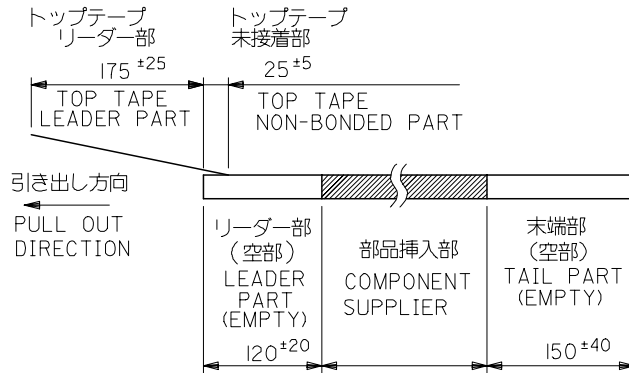
DETAIL "F"

5. 材料      キャリアテープ: ポリプロピレン (PP)  
                  トップテープ: PET, PE, PEF  
                  リール: ポリスチレン (PS) <リサイクル材を含む>

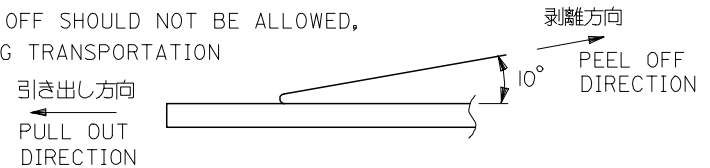
MATERIAL CARRIER TAPE: POLYPROPYLENE  
 TOP TAPE: PET, PE, PEF  
 REEL: POLYSTYRENE (PS)  
 <RECYCLE MATERIAL CONTAINED>

注記 NOTES

- 製品番号 52559-\*\*\*17 の梱包状態はアクチュエータがロックした状態とする。  
 詳細寸法については図面 SD-52559-\*\*\*17 を参照下さい。  
 IN THE PACKAGE, ACTUATOR OF PART NO. 52559-\*\*\*17 SHOULD BE LOCKED  
 RE DETAILED DIMENSIONS, SEE SD-52559-\*\*\*17
- 梱包数量: 1000個/リール  
 NUMBER OF CONNECTORS: 1000PCS/REEL
- リードテープ長さ LEAD TAPE LENGTH



- トップテープの剥離強度: (剥離方向は下図参照)  
 0.1N~0.7N (10.2gf~71.4gf) 尚、本規格値は、出荷時に適用。  
 (但し、輸送時に剥離が発生しない事。)  
 PEELING OFF FORCE OF TOP TAPE  
 0.1N~0.7N (10.2gf~71.4gf) (PEELING DIRECTION AS SHOWN IN FOLLOWING FIG.)  
 THIS REQUIREMENT SHOULD BE APPLIED AT SHIPMENT  
 PEEL OFF SHOULD NOT BE ALLOWED,  
 DURING TRANSPORTATION



REVISED EC NO: J2006-3700 DRAWN: NABEI 2006/06/16 CHKD: KTOYODA 2006/06/19 APPR: NUKITA 2006/06/22	GENERAL TOLERANCES (UNLESS SPECIFIED)		DIMENSION STYLE MM ONLY	SCALE ---	52559-***90	MODEL NO.
	10 UNDER	± ---	DRAWN BY S. KAJINUMA	DATE '91/11/13	DESIGN UNIT'S METRIC	THIRD ANGLE PROJECTION
	10 OVER 30 UNDER	± ---	CHECKED BY S. KUNISHI	DATE '00/12/20	0.5 FPC CONN ASSY ZIF SMT ST EMBSTP PKG	
	30 OVER	± ---	APPROVED BY M. FUKUSHIMA	DATE '00/12/20	MOLEX INCORPORATED	
G	ANGULAR	± --- °	MATERIAL NO.	DOCUMENT NO.	SHEET NO.	
	DRAFT WHERE APPLICABLE MUST REMAIN WITHIN DIMENSIONS		SIZE A3	SEE CHART	SD-52559-051	1 OF 4
THIS DRAWING CONTAINS INFORMATION THAT IS PROPRIETARY TO MOLEX INCORPORATED AND SHOULD NOT BE USED WITHOUT WRITTEN PERMISSION						

10 9 8 7 6 5 4 3 2 1

F

E

D

C

B

A

F

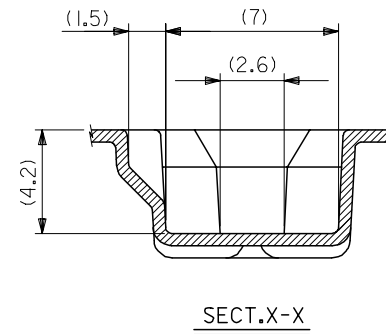
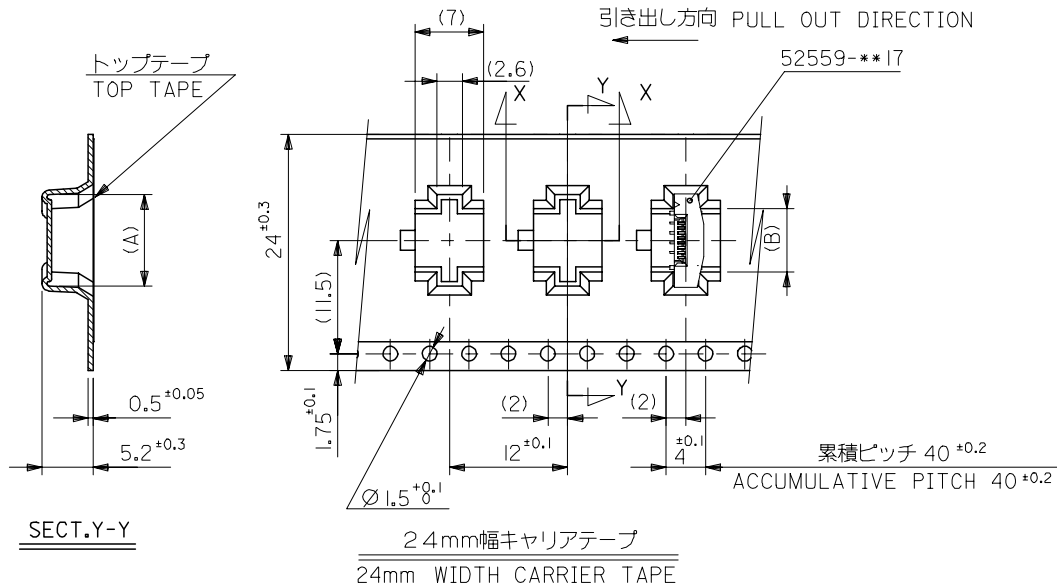
E

D

C

B

A



24	29.4	25.4	13.4	16.3	52559-2290	22		
			12.4	15.3	52559-2090	20		
			11.9	14.8	52559-1990	19		
			11.4	14.3	52559-1890	18		
			10.4	13.3	52559-1690	16		
			9.9	12.8	52559-1590	15		
			9.4	12.3	52559-1490	14		
			8.9	11.8	52559-1390	13		
			8.4	11.3	52559-1290	12		
			7.9	10.8	52559-1190	11		
6.4	9.3	52559-0890	8					
5.4	8.3	52559-0690	6					
キャリアテープ幅 CARRIER TAPE WIDTH			D	C	(B)	(A)	MATERIAL NO.	極数 CIRCUIT

REVISED EC NO: J2006-3700 DRWN: NABEI 2006/06/16 CHKD: KTOYODA 2006/06/19 APPR: NUKITA 2006/06/22	GENERAL TOLERANCES (UNLESS SPECIFIED)		DIMENSION STYLE MM ONLY		SCALE ---	DESIGN UNITS METRIC	THIRD ANGLE PROJECTION	
	10 UNDER	± ---	DRAWN BY S. KAJINUMA		DATE '91/11/13	TITLE 0.5 FPC CONN ASSY ZIF SMT ST EMBSTP PKG		
	10 OVER 30 UNDER	± ---	CHECKED BY S. KUNISHI		DATE '00/12/20	MATERIAL NO.		
	30 OVER	± ---	APPROVED BY M. FUKUSHIMA		DATE '00/12/20	DOCUMENT NO. SD-52559-051		
	ANGULAR	± --- °	MATERIAL NO.		DOCUMENT NO. SD-52559-051		SHEET NO. 2 OF 4	
DRAFT WHERE APPLICABLE MUST REMAIN WITHIN DIMENSIONS		SIZE A3		THIS DRAWING CONTAINS INFORMATION THAT IS PROPRIETARY TO MOLEX INCORPORATED AND SHOULD NOT BE USED WITHOUT WRITTEN PERMISSION				

9

8

7

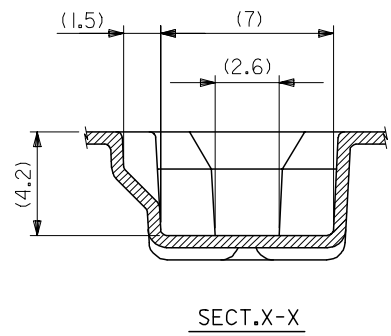
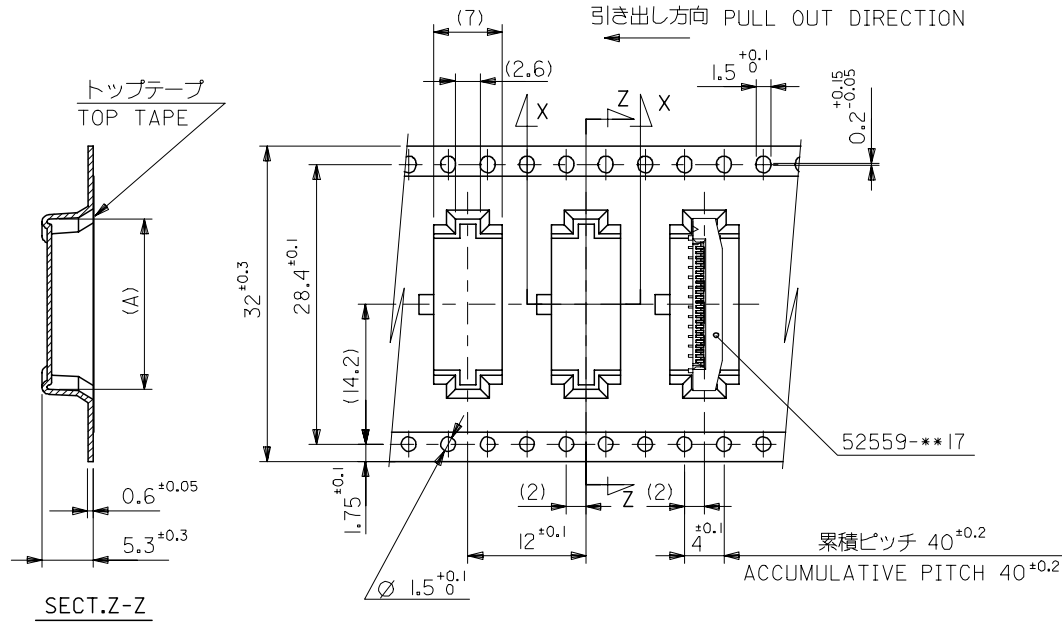
6

5

4

3

2



32mm幅キャリアテープ  
32mm WIDTH CARRIER TAPE

32	37.4	33.4	18.9	21.8	52559-3390	33
			18.4	21.3	52559-3290	32
			17.4	20.3	52559-3090	30
			16.4	19.3	52559-2890	28
			15.4	18.3	52559-2690	26
			14.9	17.8	52559-2590	25
			14.4	17.3	52559-2490	24

キャリアテープ幅 CARRIER TAPE WIDTH D C (B) (A) MATERIAL NO. 極数 CIRCUIT

REVISED EC NO: J2006-3700 DRWN: NABEI 2006/06/16 CHKD: KTOYODA 2006/06/19 APPR: NUKITA 2006/06/22 G REV	GENERAL TOLERANCES (UNLESS SPECIFIED)		DIMENSION STYLE MM ONLY		SCALE ---	DESIGN UNITS METRIC	THIRD ANGLE PROJECTION
	10 UNDER	± ---	DRAWN BY DATE S. KAJINUMA '91/11/13		TITLE 0.5 FPC CONN ASSY ZIF SMT ST EMBSTP PKG		
	10 OVER 30 UNDER	± ---	CHECKED BY DATE S. KUNISHI '00/12/20		MOLEX INCORPORATED		
	30 OVER	± ---	APPROVED BY DATE M. FUKUSHIMA '00/12/20		DOCUMENT NO. SD-52559-051		
	ANGULAR	± --- °	MATERIAL NO. SEE CHART		SHEET NO. 3 OF 4		
DRAFT WHERE APPLICABLE MUST REMAIN WITHIN DIMENSIONS		THIS DRAWING CONTAINS INFORMATION THAT IS PROPRIETARY TO MOLEX INCORPORATED AND SHOULD NOT BE USED WITHOUT WRITTEN PERMISSION					

10 9 8 7 6 5 4 3 2 1

F

F

E

E

D

D

C

C

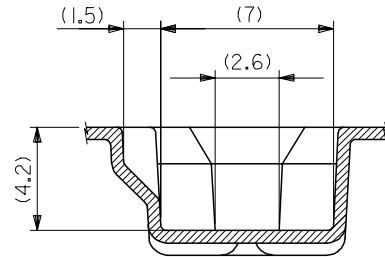
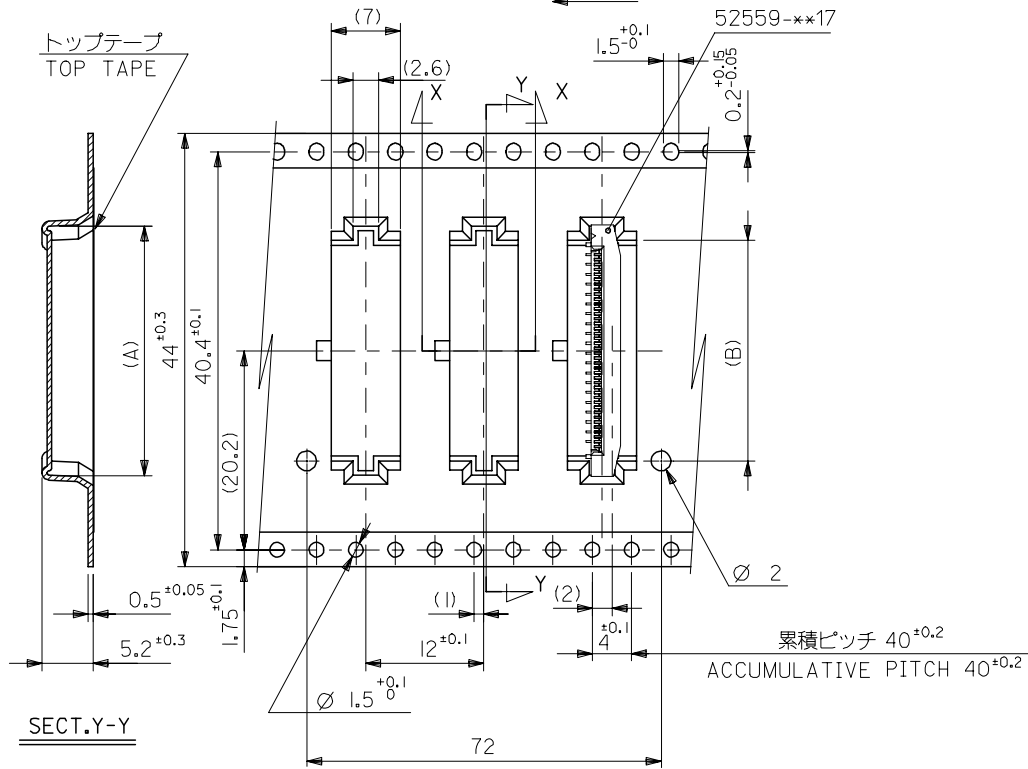
B

B

A

A

引き出し方向 PULL OUT DIRECTION



SECT.X-X

44mm幅キャリアテープ  
44mm WIDTH CARRIER TAPE

44	49.4	45.4	22.4	25.3	52559-4090	40
			20.4	23.3	52559-3690	36
キャリアテープ幅 CARRIER TAPE WIDTH			D	C	(B)	(A)
					MATERIAL NO.	CIRCUIT NO.

REVISED EC NO: J2006-3700 DRWN: NABE 2006/06/16 CHKD: TOYODA 2006/06/19 APPR: NUKITA 2006/06/22 G REV	GENERAL TOLERANCES (UNLESS SPECIFIED)		DIMENSION STYLE MM ONLY		SCALE ---	DESIGN UNITS METRIC	THIRD ANGLE PROJECTION
	10 UNDER	± ---	DRAWN BY S. KAJINUMA		DATE '91/11/13	TITLE 0.5 FPC CONN ASSY ZIF SMT ST EMBSTP PKG	
	10 OVER 30 UNDER	± ---	CHECKED BY S. KUNISHI		DATE '00/12/20	APPROVED BY M. FUKUSHIMA	
	30 OVER	± ---	APPROVED BY M. FUKUSHIMA		DATE '00/12/20	MOLEX INCORPORATED	
	ANGULAR	± --- °	MATERIAL NO. SEE CHART		DOCUMENT NO. SD-52559-051	SHEET NO. 4 OF 4	
DRAFT WHERE APPLICABLE MUST REMAIN WITHIN DIMENSIONS			THIS DRAWING CONTAINS INFORMATION THAT IS PROPRIETARY TO MOLEX INCORPORATED AND SHOULD NOT BE USED WITHOUT WRITTEN PERMISSION				

9

8

7

6

5

4

3

2