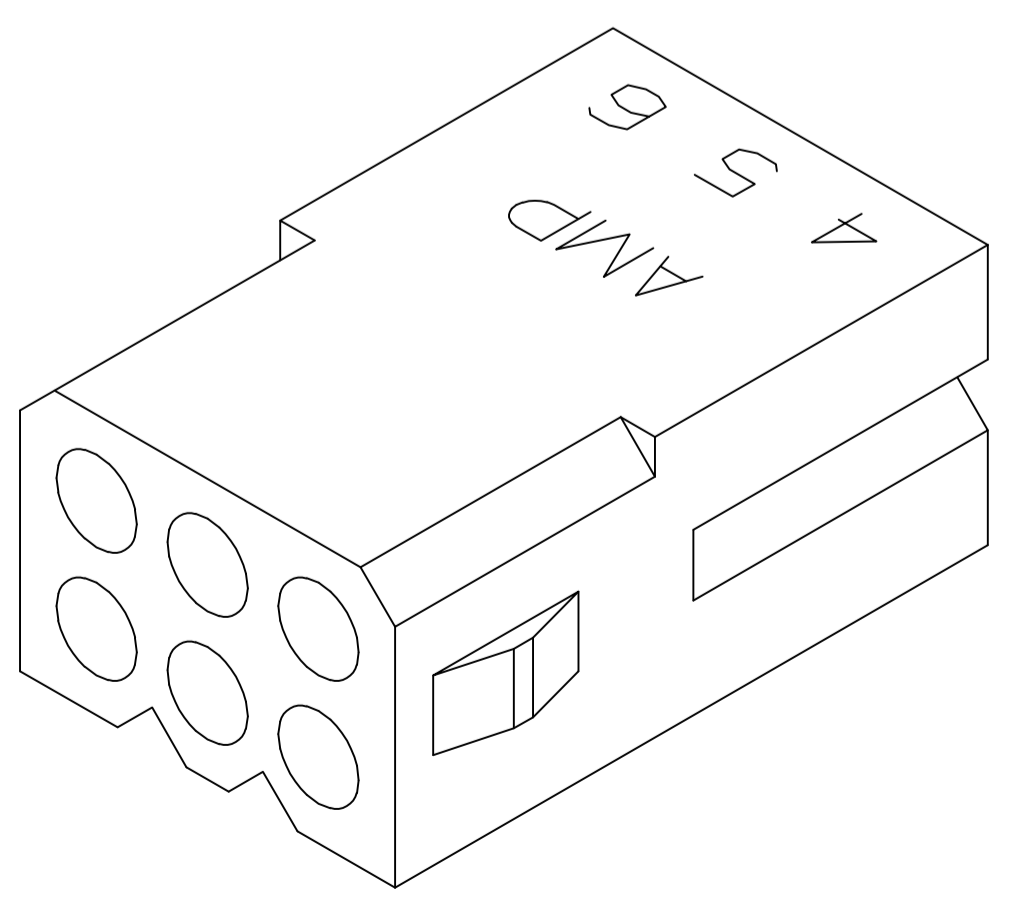
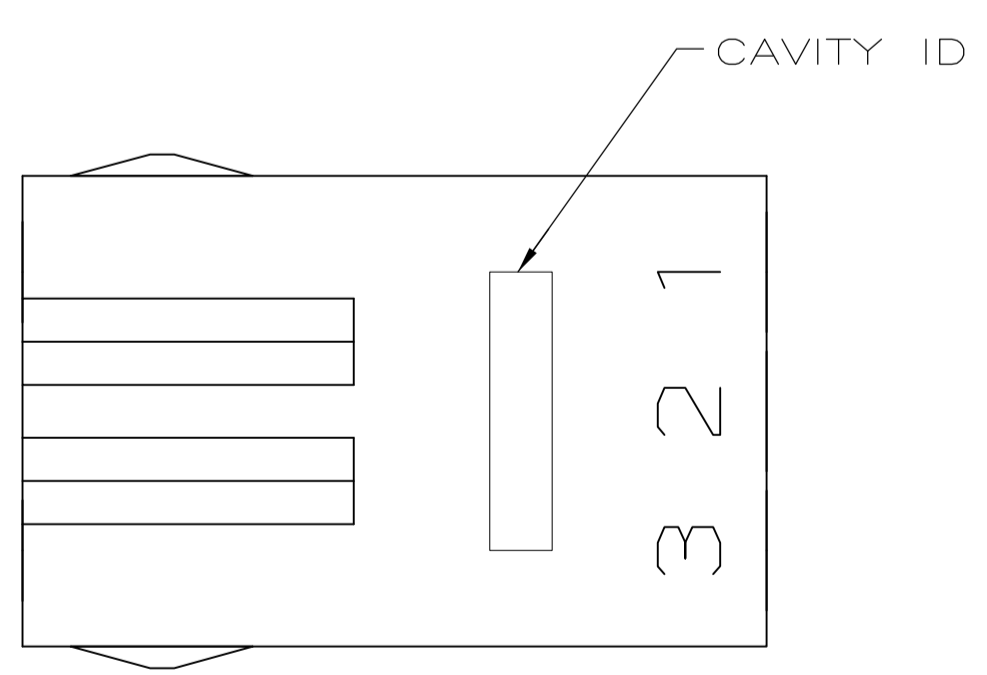
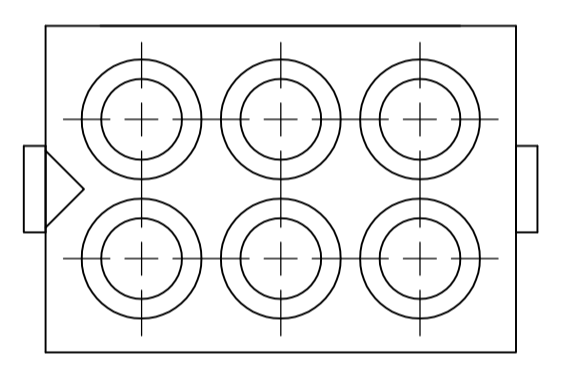
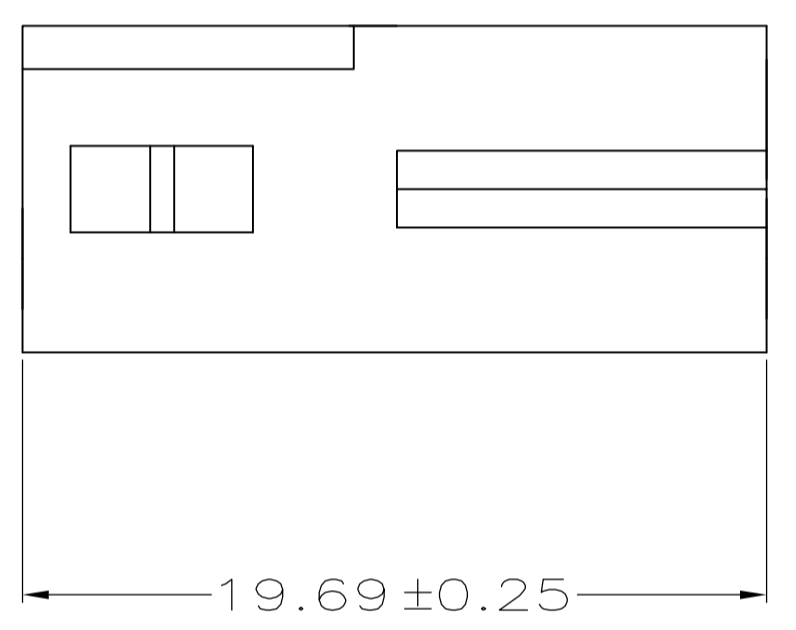
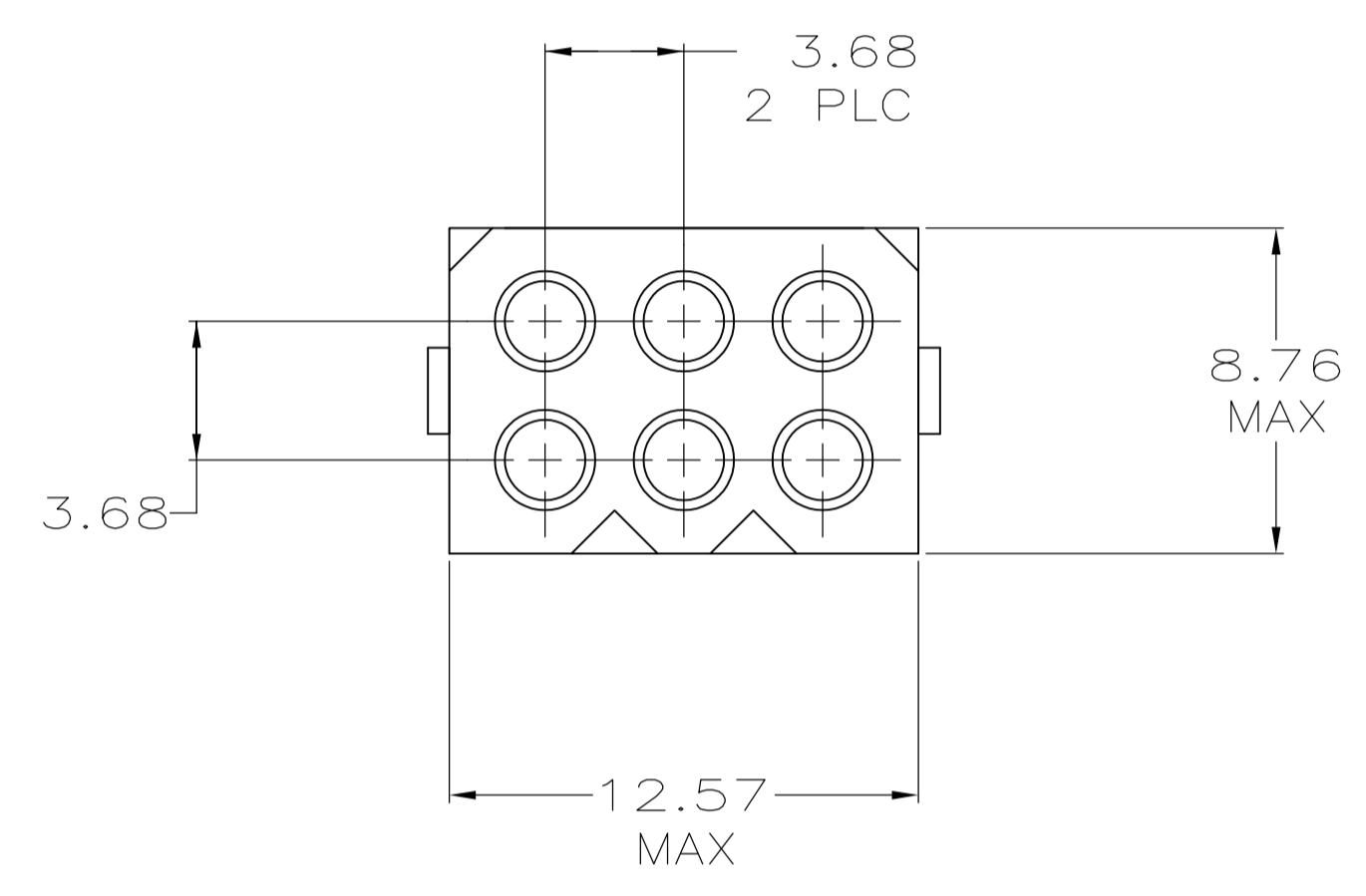
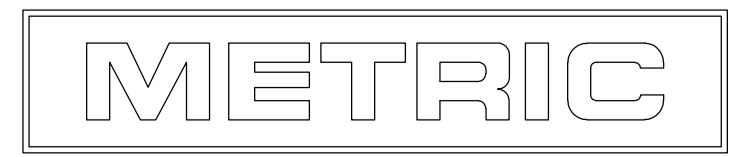


⚠ PRELIMINARY - NOT FOR PRODUCTION.



3-DIMENSIONAL MODEL
NTS

| | |
|------------------|------|
| 19.69 | .775 |
| 12.57 | .495 |
| 8.76 | .345 |
| 3.68 | .145 |
| 1.58 | .062 |
| 0.25 | .010 |
| 0.13 | .005 |
| MM | IN |
| CONVERSION TABLE | |



| | | | | |
|--|--|---|----------|---|
| THIS DRAWING IS A CONTROLLED DOCUMENT. | | DIN | 10-02-96 | Tyco Electronics Corporation Harrisburg, PA 17105-3608 |
| | | K. WHITAKER | 10-02-96 | |
| | | CHK | 10-02-96 | Tyco Electronics |
| | | R. SWING | 10-09-96 | |
| DIMENSIONS: mm | | APVD | C. CASH | NAME |
| TOLERANCES UNLESS OTHERWISE SPECIFIED: | | RECEPTACLE, 6 CIRCUIT, .062 PIN AND SOCKET | | |
| 0. PLC ± - | | APPLICATION SPEC | | |
| 1. PLC ± - | | WEIGHT | | |
| 2. PLC ± 0.13 | | SIZE | | |
| 3. PLC ± - | | CAGE CODE | | |
| 4. PLC ± - | | DRAWING NO | | |
| ANGLES ± - | | RESTRICTED TO | | |
| FINISH - | | A1 00779 C=770356 | | |
| MATERIAL SEE TABLE | | CUSTOMER DRAWING | | |
| | | SCALE 5:1 SHEET 1 OF 1 REV C1 | | |