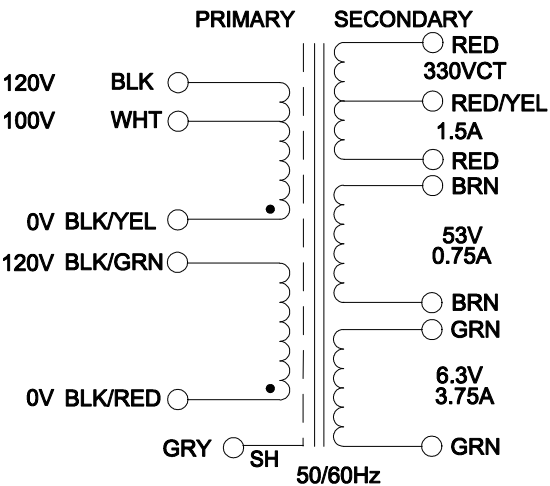


DIMENSIONS:

A	3.750" ±0.063
B	5.625" ±0.125
C	4.750" ±0.063
D	3.000" ±0.063
E	4.188" ±0.063
G	0.203" x 0.375" ±0.015



ELECTRICAL DATA:

TESTS	CONDITIONS	ACCEPTANCE CRITERIA	
I _{ex}	@ 120V, 60Hz, BLK/RED - BLK/GRN	306mA	Max.
Sec. N.L.V	@ 120V, 60Hz, BLK/RED - BLK/GRN		
	BLK/YEL - WHT =	100.4V	±2%
	BLK/YEL - BLK =	120.0V	±2%
	RED - RED =	348.7V	±2%
	RED - RED/YEL = RED/YEL - RED =	174.3V	±2%
	BRN - BRN =	55.85V	±2%
	GRN - GRN =	6.792V	±2%
DCR	@ 20°C, BLK/RED - BLK/GRN =	1.240 Ω	±20%
	@ 20°C, BLK/YEL - WHT =	1.100 Ω	±20%
	@ 20°C, BLK/YEL - BLK =	1.340 Ω	±20%
	@ 20°C, RED - RED =	4.720 Ω	±20%
	@ 20°C, BRN - BRN =	1.680 Ω	±20%
	@ 20°C, GRN - GRN =	0.100 Ω	±20%
HIPOT	PRIMARY - SECONDARY	2000V, 60Hz, 1 SEC	

NOTE: ALL LEADS 9" OUT MIN., STRIPPED .5"

REV.#	REVISION	DATE
0	RELEASED.	07/26/11

HAMMOND MANUFACTURING™ ELECTRONIC DIVISION
 52 RANKIN PLACE, WATERLOO, ONTARIO, N2J 3Z5
 PH # (519) 886-6181 FAX # (519) 886-9540

DWG. BY: C. ILIE	CHK'D BY:	TITLE: 290SX	DWG. NO.
DATE: 07/26/11	APP'D. BY:	TRANSFORMER	290SX
DIMENSIONS: IN(X) MM()			