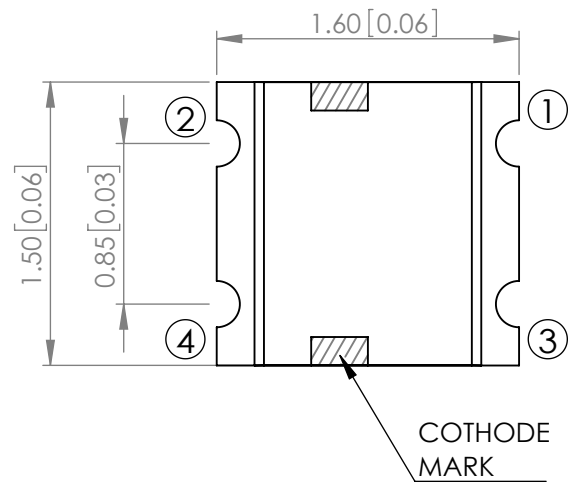
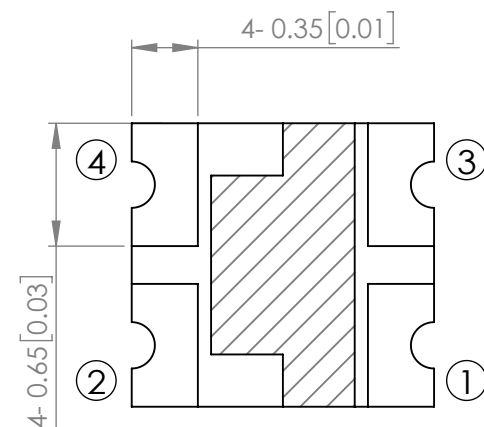
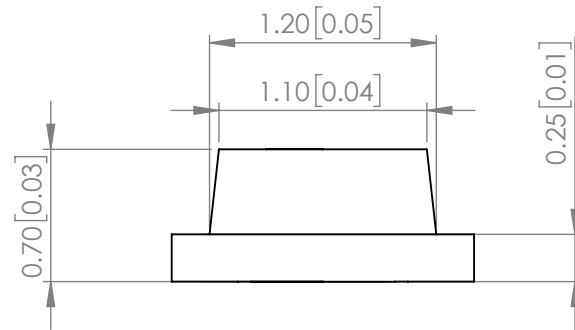
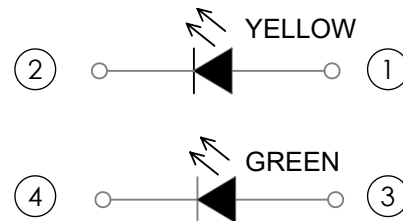


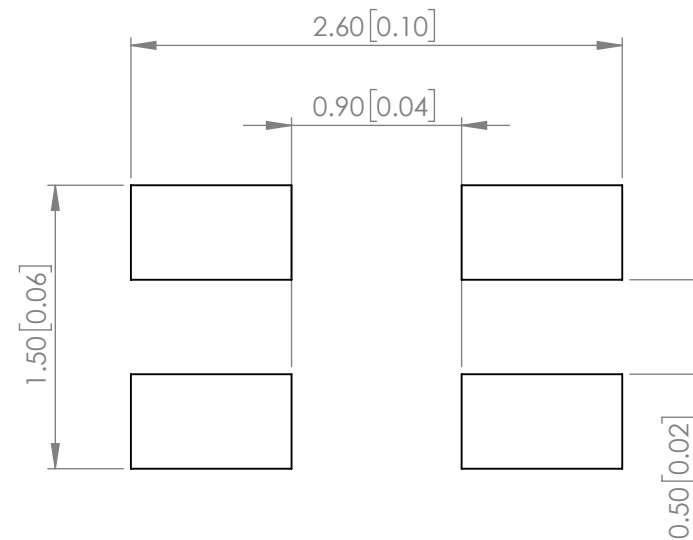
<b>PART NUMBER</b>	SML-LX0606YGC-TR	<b>REV</b>	F
<b>REV</b>	<b>E.C.N. NUMBER AND REVISION COMMENTS</b>	<b>DATE</b>	
A	E.C.N #10967.	03.14.03	
B	E.C.N #11148.	05.29.07	
C	E.C.N #11508.	03.05.09	
D	E.C.N #11598.	11.16.09	
E	E.C.N #11964	07.02.16	
F	ECN-Lumex201800191	12.14.18	



**POLARITY**



**RECOMMENDED SOLDER PAD LAYOUT**



**ELECTRO-OPTICAL CHARACTERISTIC TA=25°C**

PARAMETER	MIN	TYP	MAX	UNITS	TEST COND
PEAK WAVELENGTH	Y	-	590	-	nm If=20mA
	G	-	565	-	
FORWARD VOLTAGE	Y	-	2.1	2.5	Vf If=20mA
	G	-	2.2	2.5	
REVERSE CURRENT	Y	-	-	10	uA Vr=5V
	G	-	-	10	
LUMINOUS INTENSITY	Y	-	8	-	mcd If=20mA
	G	-	12	-	
VIEWING ANGLE	-	150	-	2x theta 1/2	-
EMITTED COLOR	YELLOW / GREEN				
EPOXY LENS FINISH	WATER CLEAR				

**ABSOLUTE MAXIMUM RATINGS TA=25°C**

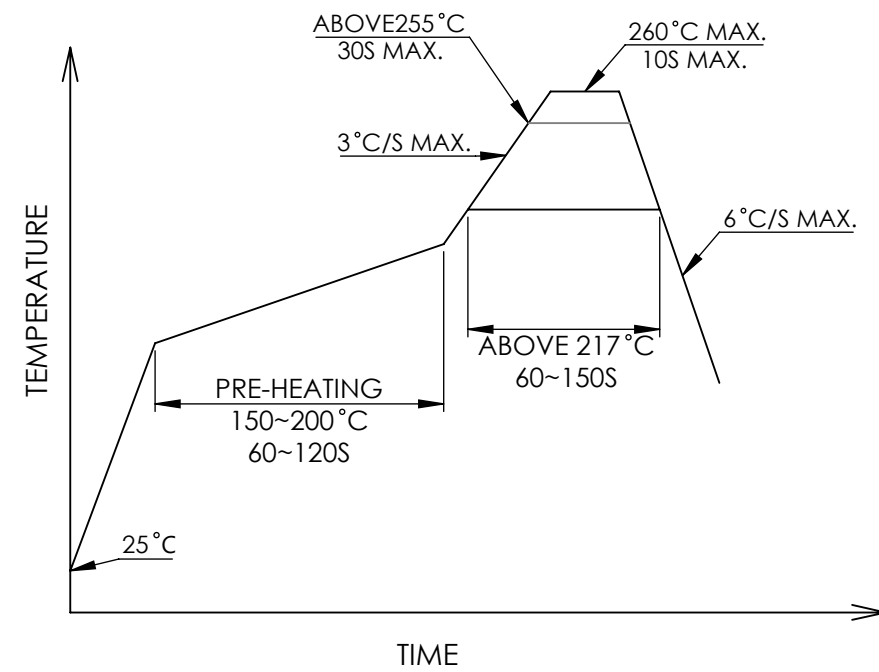
PARAMETER	MAX	UNITS
PEAK FORWARD CURRENT(Y/G)*	140/140	mA
FORWARD CURRENT(Y/G)	30/25	mA
REVERSE VOLTAGE(Y/G)	5/5	V
POWER DISSIPATION(Y/G)	75/62.5	mW
STORAGE TEMPERATURE	-40 TO +85	°C
OPERATING TEMPERATURE	-40 TO +85	°C

\*t<10us

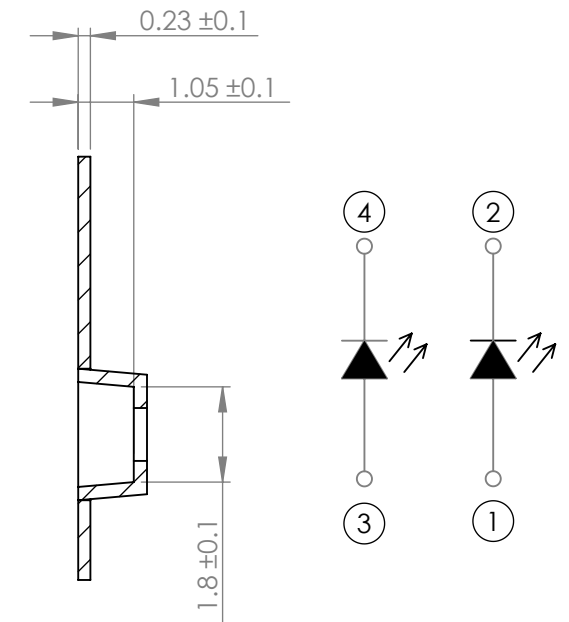
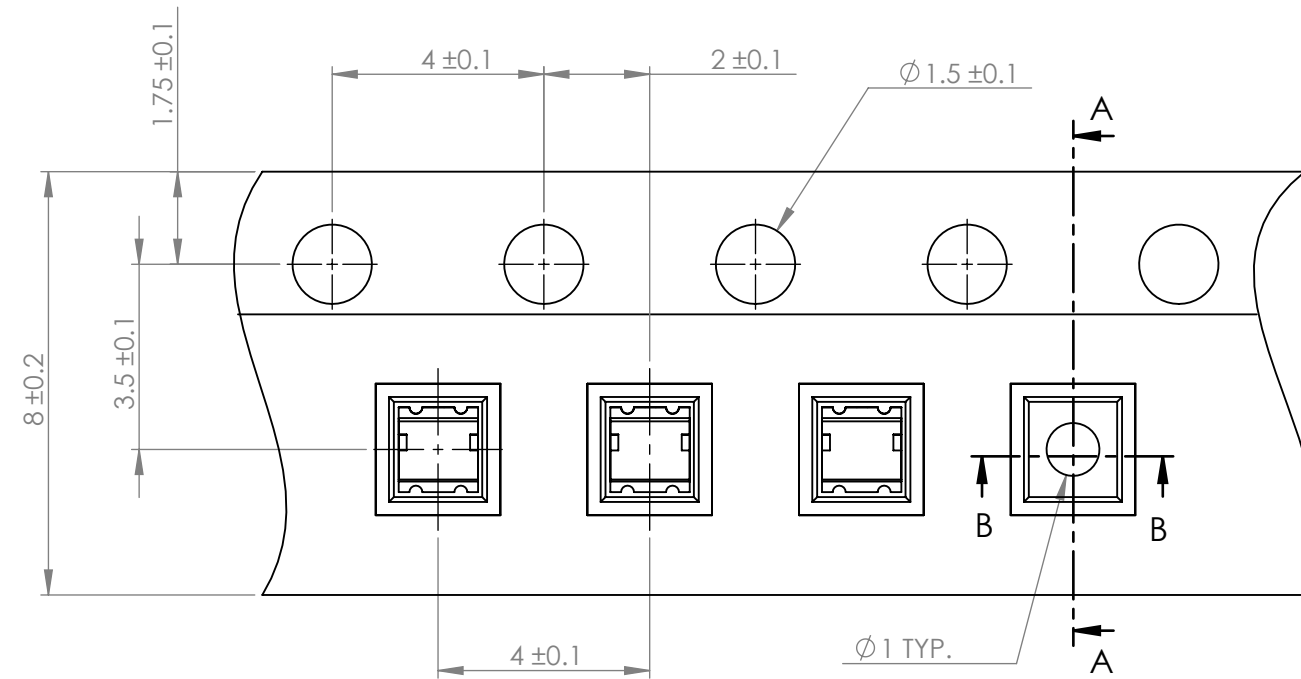
MOISTURE SENSITIVE DEVICE  
PER JEDEC LEVEL 3 STANDARDS

\*UNLESS OTHERWISE SPECIFIED TOLERANCES PER DECIMAL PRECISION ARE: X=±1 (±0.039), X.X=±0.5 (±0.020), X.XX=±0.25 (±0.010), X.XXX=±0.127 (±0.005). LEAD SIZE=±0.05 (±0.002), LEAD LENGTH=±0.75 (±0.030). MIN= <sup>+DECIMAL PRECISION</sup>/<sub>-0.00</sub> MAX= <sup>+0.00</sup>/<sub>-DECIMAL PRECISION</sub>

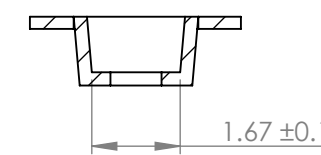
**PROFILE**



**CARRIER TAPE DIMENSION**



SECTION A-A



SECTION B-B

**NOTE:**  
1. 2000PCS/REEL

\*UNLESS OTHERWISE SPECIFIED TOLERANCES PER DECIMAL PRECISION ARE: X=±1 (±0.039), X.X=±0.5 (±0.020), X.XX=±0.25 (±0.010), X.XXX=±0.127 (±0.005). LEAD SIZE=±0.05 (±0.002), LEAD LENGTH=±0.75 (±0.030). MIN= <sup>+DECIMAL PRECISION</sup>/<sub>-0.00</sub> MAX= <sup>+0.00</sup>/<sub>-DECIMAL PRECISION</sub>

**LUMEX**  
Creating LED and LCD Solutions Together™

425 N. GARY AVE.  
CAROL STREAM, IL 60188  
PHONE : 800-278-5666  
FAX : 630-315-2150  
WEB : WWW.LUMEX.COM

1.6(L) x 1.5(W) x 0.7(H)mm ULTRA THIN SURFACE MOUNT LED, 590nm GaAsP/GaP YELLOW/ 565nm GaP GREEN LED, WATER CLEAR LENS, TAPE AND REEL.

**\*\*THE SPECIFICATIONS MAY CHANGE AT ANY TIME WITHOUT NOTICE.\*\***

CONFIDENTIAL INFORMATION  
THE INFORMATION CONTAINED IN THIS DOCUMENT IS THE PROPERTY OF LUMEX INC. EXCEPT AS SPECIFICALLY AUTHORIZED IN WRITING BY LUMEX INC., THE HOLDER OF THIS DOCUMENT SHALL KEEP ALL INFORMATION CONTAINED HEREIN CONFIDENTIAL AND SHALL PROTECT SAME IN WHOLE OR IN PART FROM DISCLOSURE AND DISSEMINATION TO ALL THIRD PARTIES.

DATE : 2018.12.14	DRAWN BY : C.S.
PAGE : 2 OF 2	CHKD BY : E.C.
SCALE : NTF	APRVD BY : G.Y.
UNIT : mm [INCH]	(Pb)