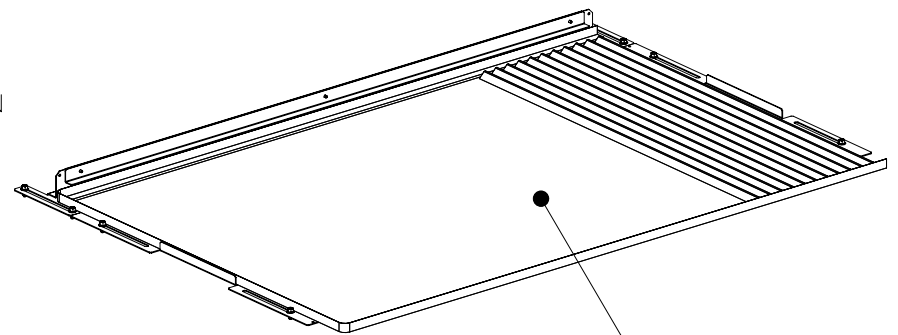
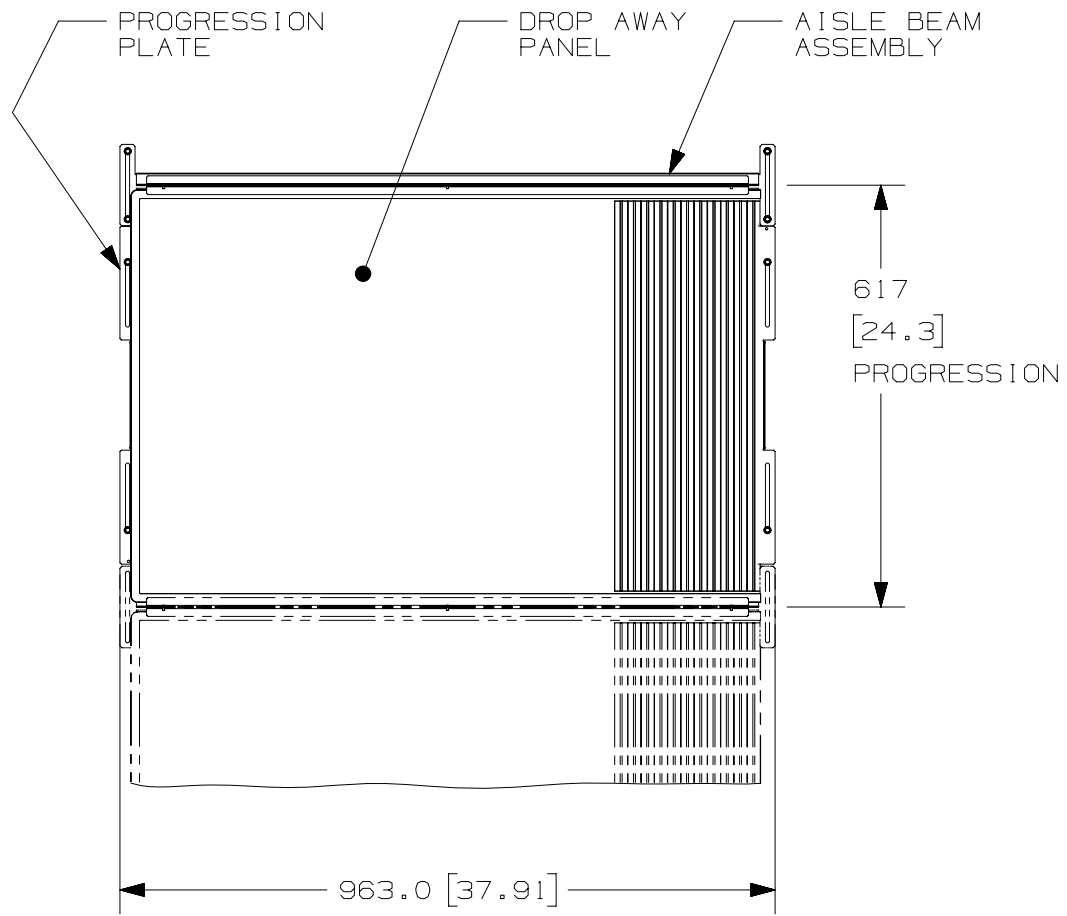


THIS COPY IS PROVIDED ON A RESTRICTED BASIS AND IS NOT TO BE USED IN ANY WAY DETRIMENTAL TO THE INTERESTS OF PANDUIT CORP.

PANDUIT P/N	DESCRIPTION	COLOR	WEIGHT
CUCGF03DPB1	CEILING GRID	BLACK	1.8 Kg/EACH [4.0 LBS/EACH]
CUCGF03DPW1	CEILING GRID	WHITE	1.8 Kg/EACH [4.0 LBS/EACH]

- VISIT OUR ON-LINE CATALOG AT WWW.PANDUIT.COM FOR A LIST OF CURRENT PARTS APPLICABLE FOR USE WITH THIS PRODUCT.
- PARTS SUPPLIED:
 1- DROP AWAY PANEL
 1- AISLE BEAM ASSEMBLY
 2- STOP/PROGRESSION PLATES
 1- HARDWARE KIT
 1- INSTRUCTION SHEET
- PRIMARY DIMENSIONS ARE IN MILLIMETERS.
- DROP AWAY PANELS ARE FM APPROVED CLASS NUMBER 4651
- FOR USE WITH PANDUIT 900mm WIDTH AISLE NET-CONTAIN UNIVERSAL AISLE CONTAINMENT (UAC) SYSTEM.
- ORDER ONE KIT PER 617mm OF POD LENGTH, ROUND UP ALL FRACTIONAL VALUES.
- SEE CUSTOMER DRAWINGS 00047NWB FOR RELATED COMPONENTS.



CORRUGATED PATTERN FILLS COMPLETE INNER SPACE

TITLE		DROP AWAY CEILING GRID - 900mm (CUCGF03DP**)	
		CUSTOMER DRAWING	
ITEM REVISION NAME		00047NWA/00	
DATASET FILE NAME		00047NWA_DC/00A	
		PANDUIT	
		MATERIAL: N/A	
		DRAWING NUMBER: 00047NWA-DC	
DRAWN BY		LEE	
DATE		4-24-18	
CHK		MSH	
SCALE		NONE	
THIRD ANGLE PROJECTION		SHT 1 OF 1	
SIZE		A	

D10100DA/16

00A	4-24-18	LEE	MSH	SJP	RELEASED TO PRODUCTION	V09001QD/01
REV	DATE	BY	CHK	APR	DESCRIPTION	ECN