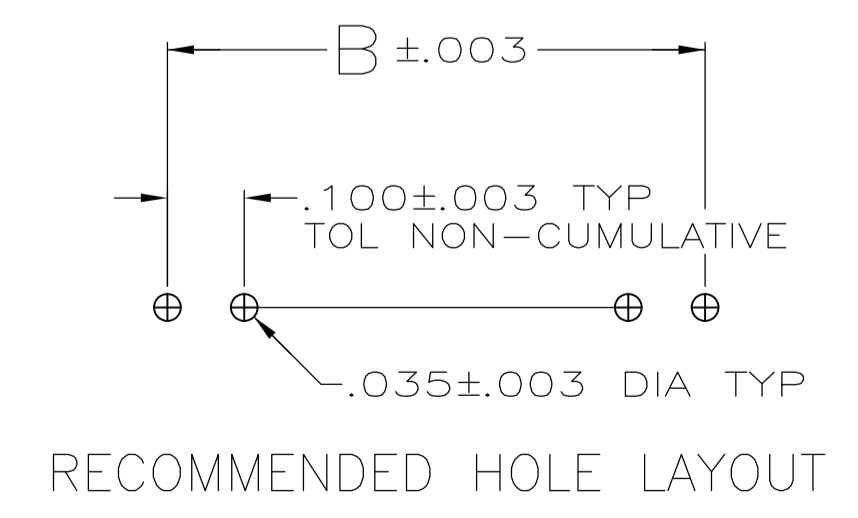


- TRUE POSITION TOLERANCE OF THE POST TIPS APPLIES WHEN THE HEADERS ARE HELD FLAT AGAINST THE PRINTED CIRCUIT BOARD
- ASSEMBLY MAY BE BROKEN TO THE DESIRED NUMBER OF POSITIONS
- PACKAGE IN SINGLE TUBES
- .000100-.000200 MATTE TIN-LEAD OVER .000050 NICKEL.
- .000100-.000200 BRIGHT TIN OVER .000050 NICKEL.
- PRELIMINARY PART - NOT RELEASED FOR PRODUCTION.
- HOUSING MATERIAL: FLAME RETARDANT THERMOPLASTIC; COLOR-BLACK.
- OBSOLETE PARTS: OBSOLETE CIS STREAMLINING PER D.RENAUD/D.SINISI



PLATING	REMARKS	C	B	A	NO OF POSN	PART NUMBER
	OBSOLETE	5			4	5-103321-3
		5	6		13	5-103321-2
		5	6		11	5-103321-1
		5	6		10	5-103321-0
		5	6		8	4-103321-9
		5			39	4-103321-8
		5			40	4-103321-7
		5			15	4-103321-6
		5			7	4-103321-5
		5			2	4-103321-4
		5			3	4-103321-3
		5	6		1	4-103321-2
	SUPERSEDED BY 1-103321-4	3			13	4-103321-1
	SUPERSEDED BY 103321-3	3			2	4-103321-0
		4			39	4-103321-0
		4			38	3-103321-9
		4			37	3-103321-8
		4			36	3-103321-7
		4			35	3-103321-6
		4			34	3-103321-5
		4			33	3-103321-4
		4			32	3-103321-3
		4			31	3-103321-2
		4			30	3-103321-1
		4			29	3-103321-0
		4			28	2-103321-9
		4			27	2-103321-8
		4			26	2-103321-7
		4			25	2-103321-6
		4			24	2-103321-5
		4			23	2-103321-4
		4			22	2-103321-3
		4			21	2-103321-2
		4			20	2-103321-1
	SUPERSEDED BY 7-146274-0	4			19	2-103321-0
		4			18	1-103321-9
		4			17	1-103321-8
		4			16	1-103321-7
		4			15	1-103321-6
		4			14	1-103321-5
		4			13	1-103321-4
		4			12	1-103321-3
		4			11	1-103321-2
		4			10	1-103321-1
		4			9	1-103321-0
		4			8	103321-9
		4			7	103321-8
		4			6	103321-7
		4			5	103321-6
		4			4	103321-5
		4			3	103321-4
		4			2	103321-3
		4			1	103321-2
		4			1	103321-1

THIS DRAWING IS A CONTROLLED DOCUMENT.

DIMENSIONS: INCHES. TOLERANCES UNLESS OTHERWISE SPECIFIED:

0. PLC	± -
1. PLC	± -
2. PLC	± -
3. PLC	± .005
4. PLC	± -
ANGLES	± -

MATERIAL: POST: COPPER ALLOY FINISH: SEE TABLE WEIGHT: --

APPROVED: J. MARTINELLI 15OCT92  
CIR: JOHN KNITTLE 23NOV92  
APPROVED: B. FLINCHBAUGH 23NOV92

NAME: ASSEMBLY, HEADER, BREAKAWAY, MOD II, SINGLE ROW, .100 C/L, VERTICAL, WITH .025 SQUARE POSTS

APPLICATION SPEC: -- SIZE: A1 CAGE CODE: 00779 DRAWING NO: 103321 RESTRICTED TO: --

CUSTOMER DRAWING SCALE: 4:1 SHEET: 1 OF 1 REV: R