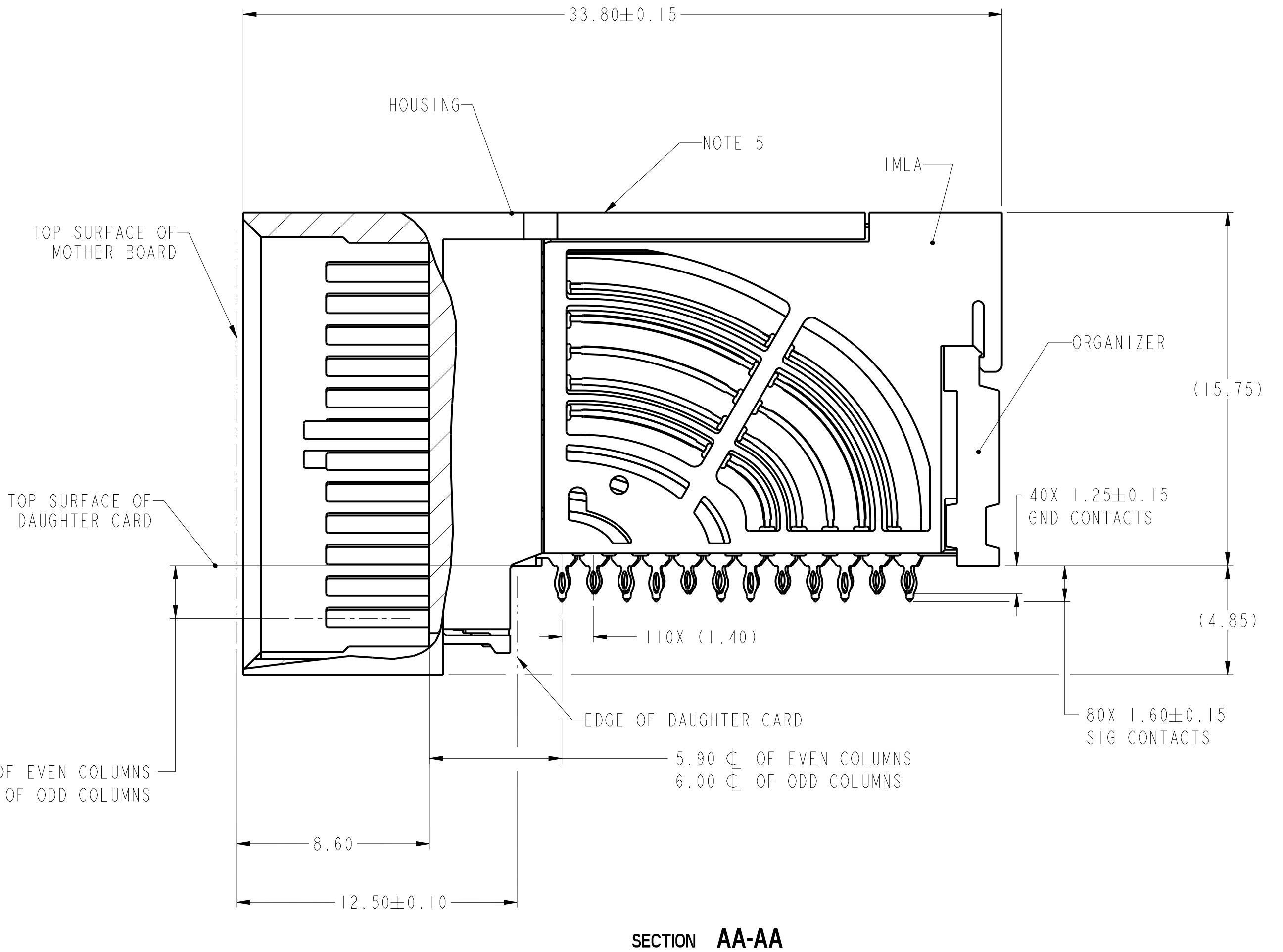
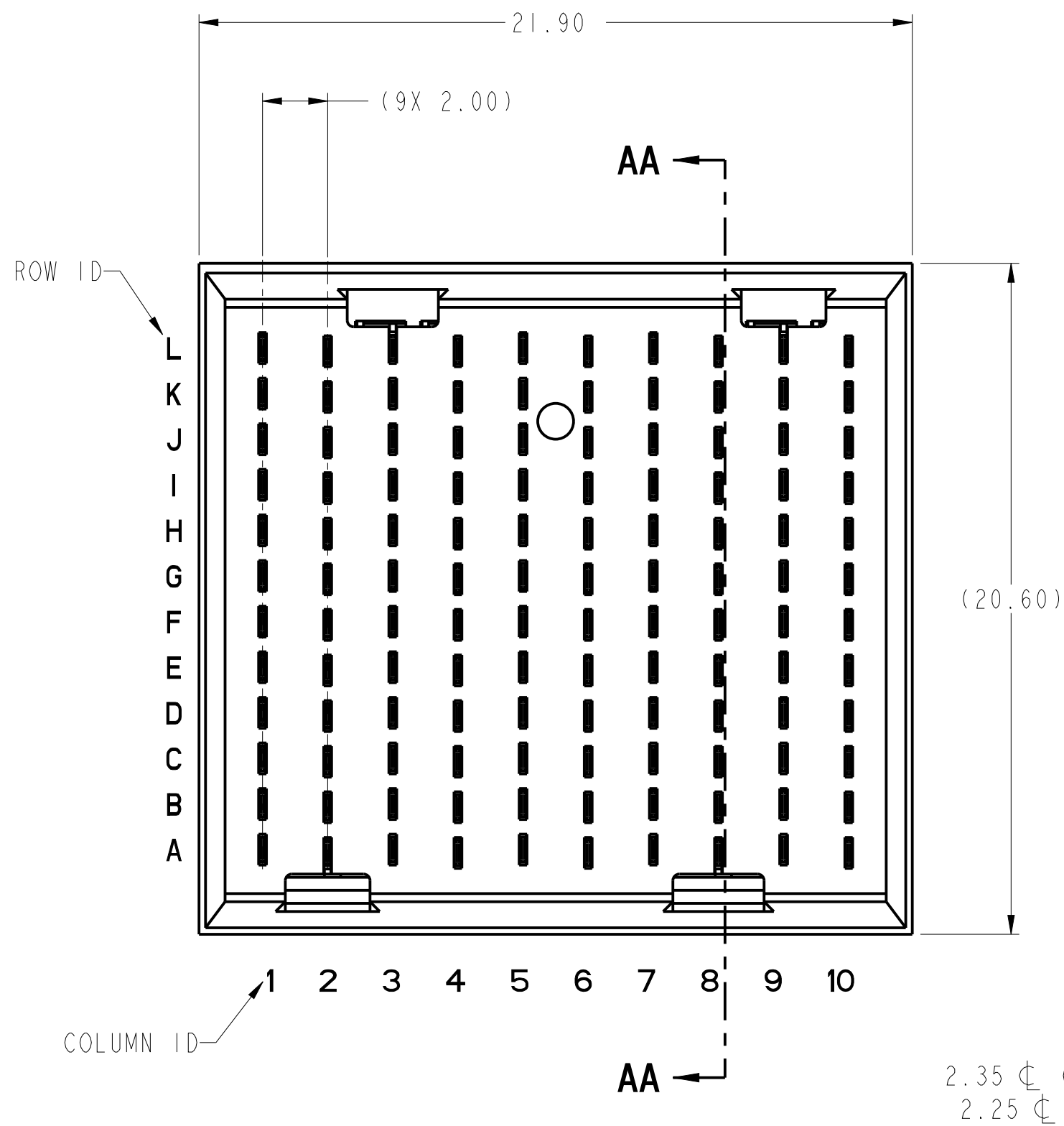


PRODUCT NUMBER  
SEE SHEET 3



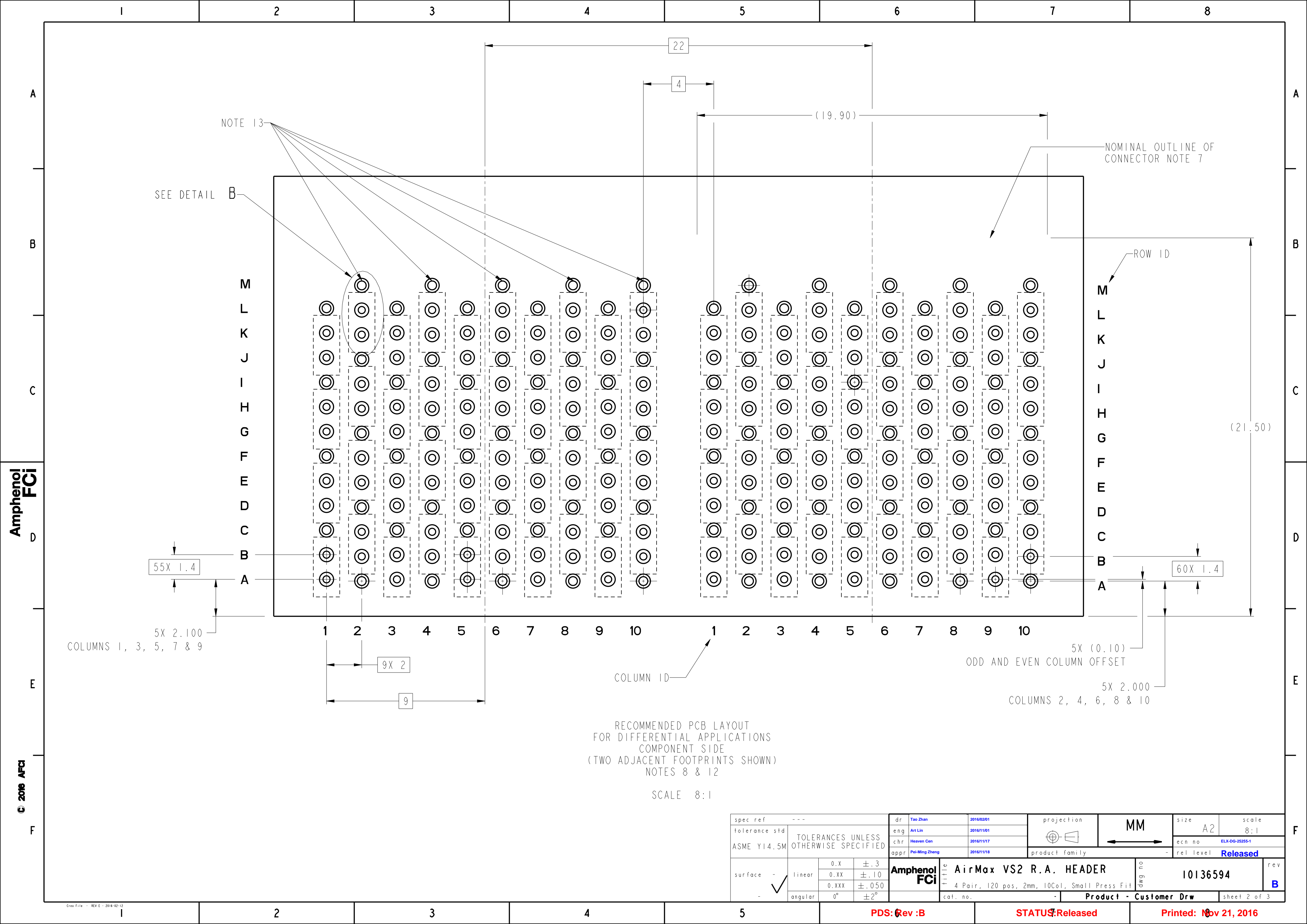
spec ref	---	dr	Tao Zhan	2016/02/01	projection	MM	size	A2	scale	6:1	
tolerance std	ASME Y14.5M	eng	Art Lin	2016/11/01			ecn no	ELX-DG-2525-1	rel level	Released	
TOLERANCES UNLESS OTHERWISE SPECIFIED		chr	Heaven Cen	2016/11/17							product family
surface	linear	0.X	±.3	appr	Pei-Ming Zheng	2016/11/18	title	AirMax VS2 R.A. HEADER		rev	B
		0.XX	±.10				4 Pair, 120 pos, 2mm, 10Col, Small Press Fit	dwg no	10136594		sheet 1 of 3
		0.XXX	±.050				Product - Customer Draw				
	angular	0°	±2°								

PDS: Rev : B

STATUS: Released

Printed: Nov 21, 2016

Amphenol FCI  
© 2016 APCI



NOTE 13

SEE DETAIL B

NOMINAL OUTLINE OF CONNECTOR NOTE 7

ROW ID

M  
L  
K  
J  
I  
H  
G  
F  
E  
D  
C  
B  
A

M  
L  
K  
J  
I  
H  
G  
F  
E  
D  
C  
B  
A

1

2

3

4

5

6

7

8

9

10

1

2

3

4

5

6

7

8

9

10

5X 2.100  
COLUMNS 1, 3, 5, 7 & 9

5X (0.10)  
ODD AND EVEN COLUMN OFFSET

5X 2.000  
COLUMNS 2, 4, 6, 8 & 10

55X 1.4

60X 1.4

9X 2

9

COLUMN ID

RECOMMENDED PCB LAYOUT  
FOR DIFFERENTIAL APPLICATIONS  
COMPONENT SIDE  
(TWO ADJACENT FOOTPRINTS SHOWN)  
NOTES 8 & 12

SCALE 8:1

spec ref	---	dr	Tao Zhan	2016/02/01	projection	MM	size	A2	scale	8:1
tolerance std	ASME Y14.5M	eng	Art Lin	2016/11/01			ecn no	ELX-DG-2525-1		
TOLERANCES UNLESS OTHERWISE SPECIFIED		chr	Heaven Cen	2016/11/17				rel level	Released	
surface	-	appr	Pei-Ming Zheng	2016/11/18	product family	-		rel level	Released	
linear	0.X ±.3	Amphenol FCI		TITLE		AirMax VS2 R.A. HEADER		dwg no	10136594	
	0.XX ±.10			4 Pair, 120 pos, 2mm, 10Col, Small Press Fit				rev	B	
	0.XXX ±.050			cat. no.		Product - Customer Drw		sheet 2 of 3		
angular	0° ±2°									

PDS: Rev :B

STATUS: Released

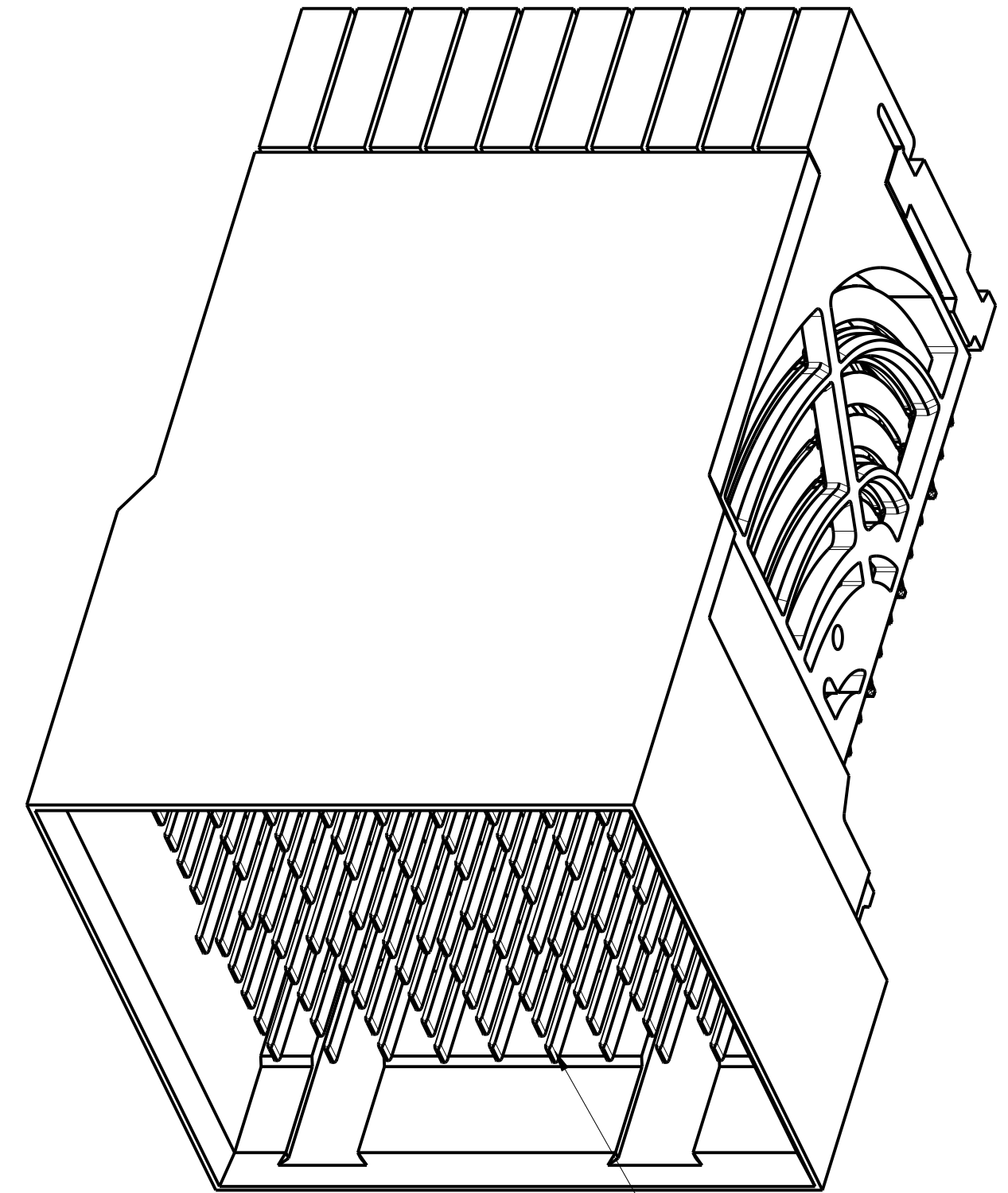
Printed: Nov 21, 2016

Amphenol FCI

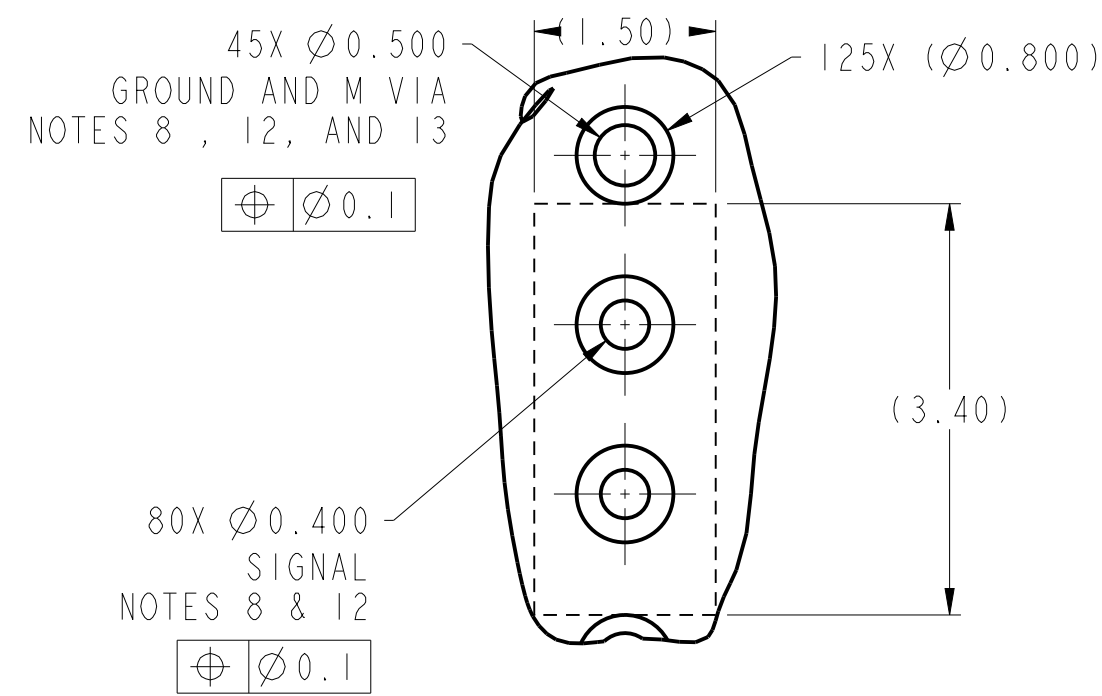
© 2016 APCI

PRODUCT NUMBER	PRESS-FIT TAIL PLATING TYPE	REMARK
10136594-101LF	TIN OVER NICKEL (LEAD FREE)	1-SIDE PLATING (CUSTOMER SPECIAL)
10136594-102LF	TIN OVER NICKEL (LEAD FREE)	2-SIDES PLATING

- 1 - CONNECTOR MATERIALS:  
HOUSING: HIGH TEMP THERMOPLASTIC, NATURAL UL94-V0  
IMLA PLASTIC: HIGH TEMP THERMOPLASTIC, BLACK, UL94-V0  
CONTACT: COPPER ALLOY  
ORGANIZER: HIGH TEMP THERMOPLASTIC, NATURAL, UL94-V0
- 2 - CONTACT PLATING:  
SEPARABLE INTERFACE:  
GXT PLUS PLATING, QUALIFIED TO MEET THE REQUIREMENTS OF FCI PRODUCT SPECIFICATION GS-12-0956 INCLUDING TELCORDIA GR-1217-CORE (NOVEMBER 1995) CENTRAL OFFICE TEST SEQUENCE
- PRESS-FIT TAILS: SEE TABLE
- 3 - PRODUCT SPECIFICATION: GS-12-0956
- 4 - APPLICATION SPECIFICATION: GS-20-0305
- 5 - PRODUCT MARKING, (PROTOTYPE, PART NUMBER & LOT CODE), ON THIS SURFACE.
- 6 - POSITIONS "F" OF ODD NUMBERED COLUMNS AND POSITIONS "G" OF EVEN NUMBERED COLUMNS CORRESPOND TO EARLY MATE HEADER PINS.
- 7 - CONNECTOR OUTLINE MAY BE SCREEN PRINTED ONTO CUSTOMER PCB TO BE USED AS A GUIDE FOR CONNECTOR PLACEMENT.
- 8 - REFER TO CUSTOMER DRAWING 10104444 FOR INFORMATION ON PCB HOLE DIAMETERS AND PLATING OPTIONS
- 9 - LEAD FREE PRODUCT MEETS THE EUROPEAN UNION DIRECTIVES & OTHER COUNTRY REGULATIONS AS DESCRIBED IN GS-22-008
- 10 - A  $\triangle$  SYMBOL WILL BE NEXT TO ANY DIMENSION, VIEW OR NOTE, WHICH HAS BEEN MODIFIED WITH THE CURRENT DRAWING REVISION.
- 11 - PACKAGING MEETS GS-14-920 LEAD FREE LABELING SPECIFICATION.
- 12 - GROUND CONTACTS (C, F, I & L IN ODD COLUMNS AND A, D, G & J IN EVEN COLUMNS) REQUIRE ( $\varnothing 0.50$ ) FINISHED HOLES. SIGNAL LOCATIONS REQUIRE ( $\varnothing 0.40$ ) FINISHED HOLES
- 13 - THESE OUTER VIAS (M) ARE OPTIONAL. WHILE NO CONNECTOR PINS ARE PRESSED INTO THESE HOLES WE RECOMMEND ( $\varnothing 0.50$ ) FINISHED HOLES AT THESE LOCATIONS TO PROVIDE GROUND SYMMETRY THROUGH THE PCB.



10136594-101LF



DETAIL B  
SCALE 16:1

spec ref	---	dr	Tao Zhan	2016/02/01	projection	MM	size	A2	scale	10:1
tolerance std	ASME Y14.5M	eng	Art Lin	2016/11/01			ecn no	ELX-DG-2525-1		
TOLERANCES UNLESS OTHERWISE SPECIFIED		chr	Heaven Cen	2016/11/17			rel level	Released		
surface	-	appr	Pei-Ming Zheng	2016/11/18	product family	-		rel level	Released	
linear	0.X ±.3	Amphenol FCI		title		AirMax VS2 R.A. HEADER		dwg no	10136594	
	0.XX ±.10			4 Pair, 120 pos, 2mm, 10Col, Small Press Fit				rev	B	
	0.XXX ±.050			cat. no.		-		Product - Customer Drw		sheet 3 of 3
angular	0° ±2°			PDS: Rev : B		STATUS: Released		Printed: Nov 21, 2016		