

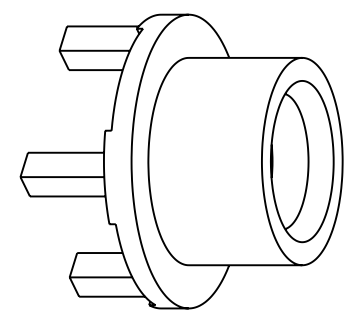
NOTES:

1. MATERIALS AND FINISHES:
 BODY - PHOSPHOR BRONZE, GOLD PLATING
 CONTACT - BERYLLIUM COPPER, GOLD PLATING
 INSULATOR - PEEK, NATURAL
2. ELECTRICAL:
 A. IMPEDANCE: 50 OHM
 B. FREQUENCY RANGE: DC - 15 GHz
 C. DIELECTRIC WITHSTANDING VOLTAGE: 500 VRMS MIN.
3. MECHANICAL:
 A. DURABILITY: 500 CYCLES MIN.
 B. TEMPERATURE RANGE: -65°C TO +165°C.
4. PACKAGING:
 A. PACKAGE CONNECTOR AS PER ROUTING INSTRUCTIONS.
 B. PACKING SHALL PREVENT ANY DAMAGES DURING SHIPPING, HANDLING AND STORAGE.
 C. MARK BAG OR TAG "SMP-MSLD-PCT-3 YYWW"

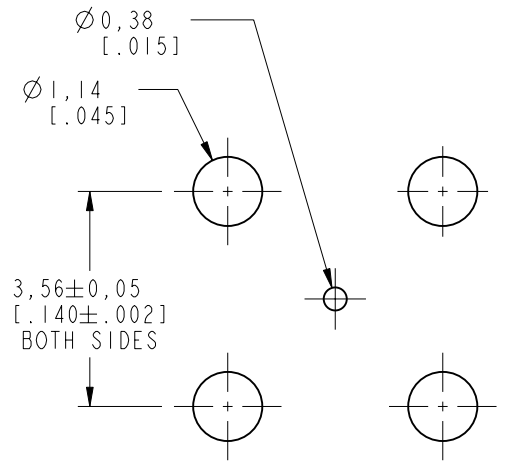
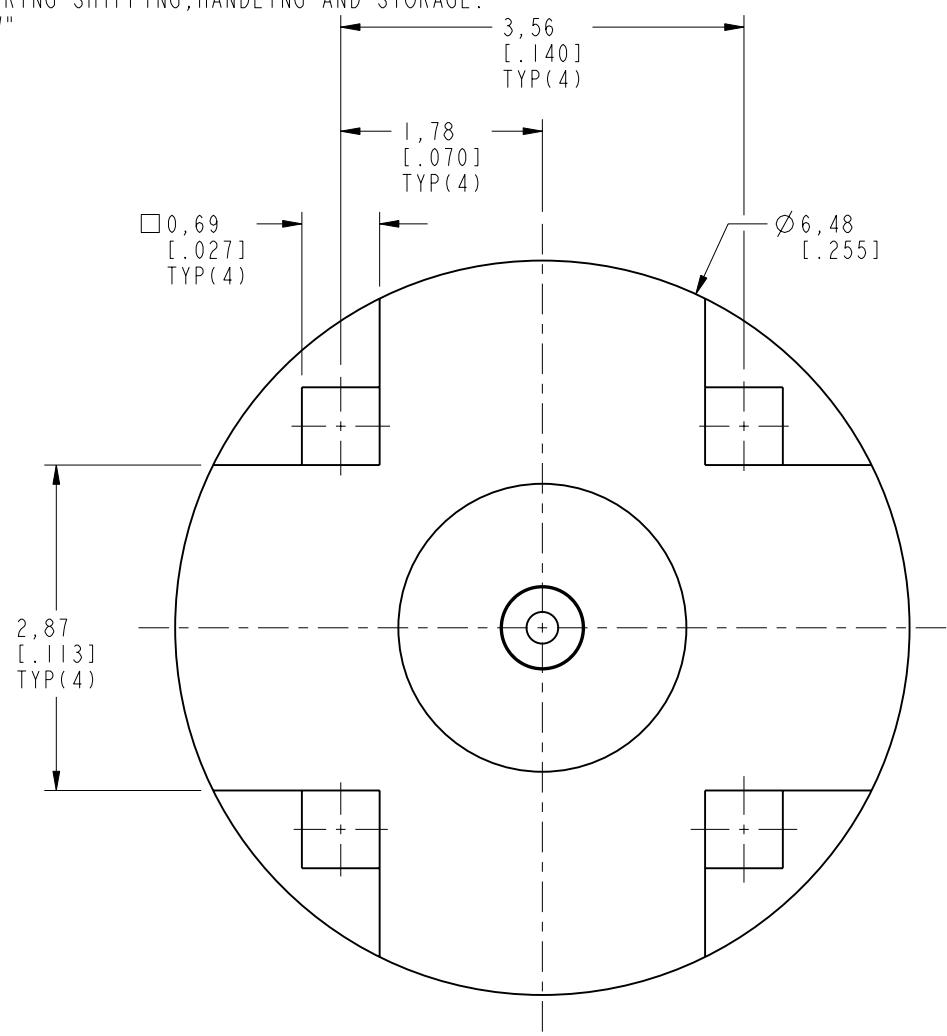
THIRD ANGLE PROJ.

REVISIONS

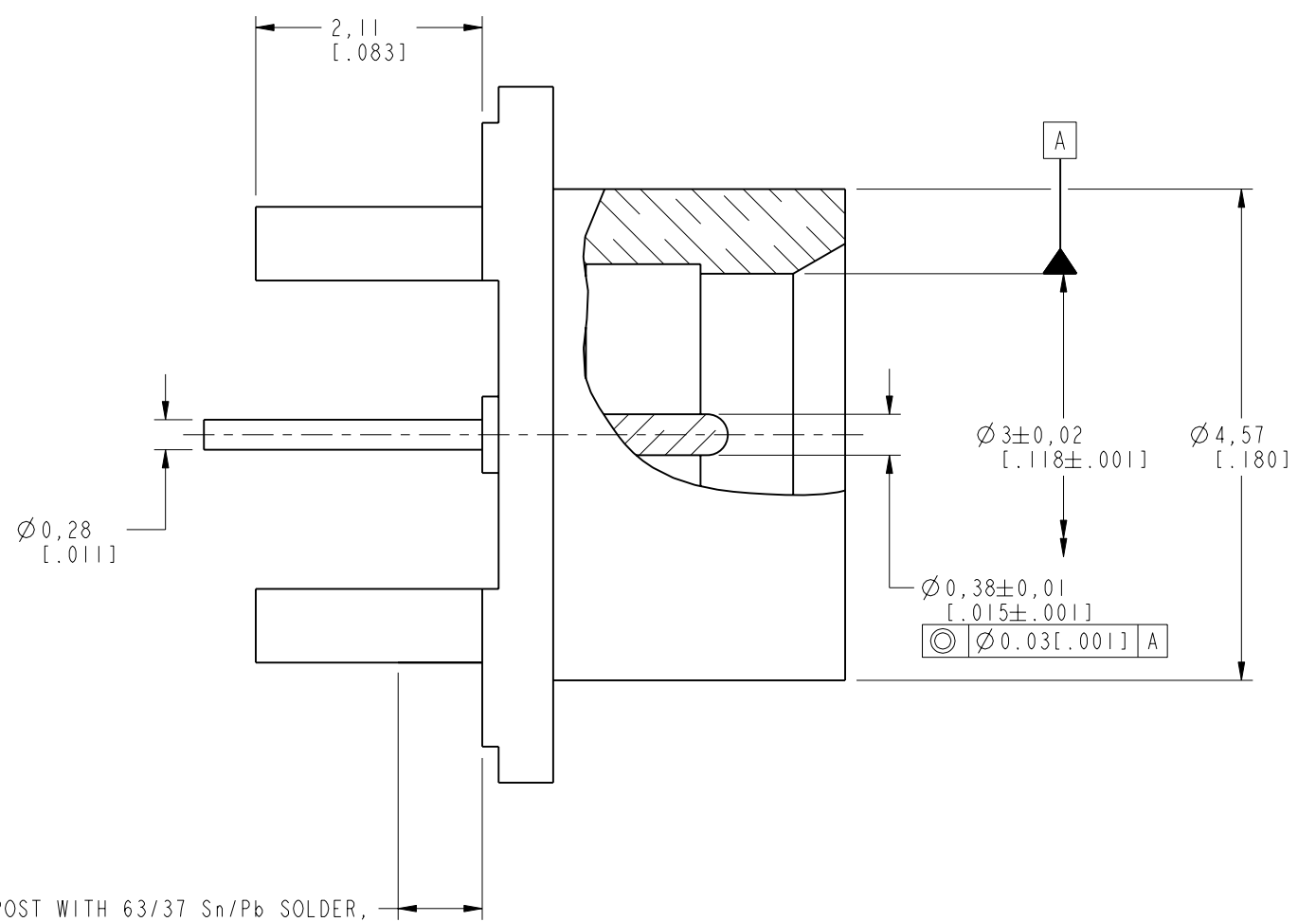
REV	DESCRIPTION	DATE	ECO	APPR
A	RELEASE TO MFG	2/6/08	46942	NMV
B	SYNCH WITH ARFA	21-Jul-15	50643	MD



SCALE 6.000



RECOMENDED PCB MOUNTING DIMENSIONS



2 X PRE-TIN SQ. LEGS AND (Ø0.28[.011]) CONTACT POST WITH 63/37 Sn/Pb SOLDER, ACHIEVING APPROX. UNIFORM THICKNESS BUILD UP. A SOLDER-FREE REGION EXTENDING NO MORE THAN 0.76[.030] FROM PWB MATING SURFACE IS PERMISSIBLE.

CUSTOMER OUTLINE DRAWING
 ALL OTHER SHEETS ARE FOR INTERNAL USE ONLY

UNLESS OTHERWISE SPECIFIED, DIMENSIONS ARE IN METRIC AND TOLERANCES ARE: <0.5mm ± 0.05mm 0.5 - 6mm ± 0.1mm 6 - 30mm ± 0.2mm 30 - 120mm ± 0.3mm ANGLES ± 1°	MATERIAL SEE NOTES	DRAWN JEKY	DATE 22-Nov-07	TITLE SMP TYPE LIMITED DETENT PCB THRU HOLES SCALE: 15.0:1.0 SHEET 2 OF 2	Amphenol RF www.amphenolrf.com
	REFERENCE AND CONFIGURATION LEVEL: In Work	ENGINEER CISSY	DATE 22-Nov-07		
NOTICE - These drawings, specifications, or other data (1) are, and remain the property of Amphenol corp. (2) must be returned upon request; and (3) are confidential and not to be disclosed to any person other than those to whom they are given by Amphenol Corp. the furnishing of these drawings, specifications, or other data by Amphenol Corp., or to any other person to anyone for any purpose is not to be regarded by implication or otherwise in any manner licensing, granting rights to permitting such holder or any other person to manufacture, use or sell any product, process or design, patented or otherwise, that may in any way be related to or disclosed by said drawings, specifications, or other data.	FINISH	APPROVED S.HSIEH	DATE 28-Nov-07	ITEM NO. SMP-MSLD-PCT-3	PART NO. SMP-MSLD-PCT-3
		CAD FILE	DWG SIZE B	REV B	