

Customer Information Sheet

DRAWING No.: M80-666XXXX

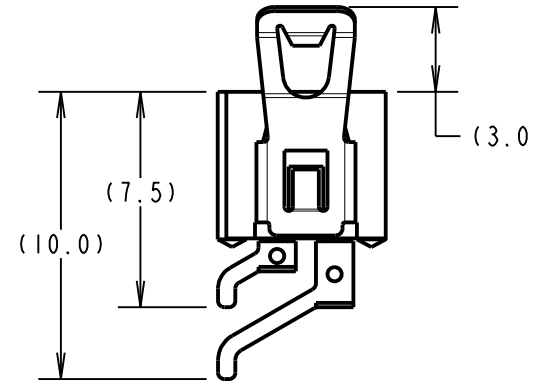
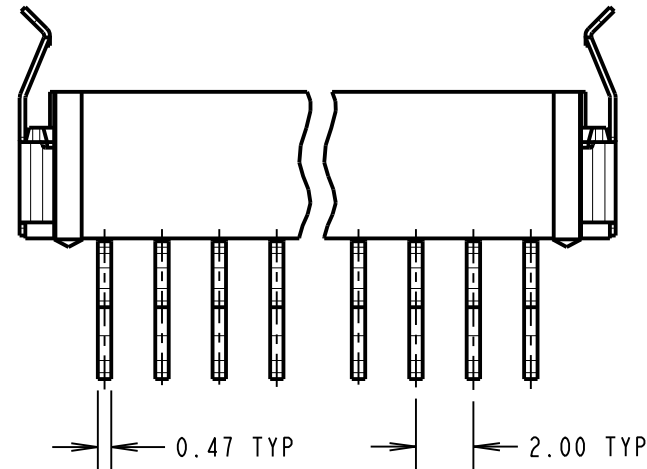
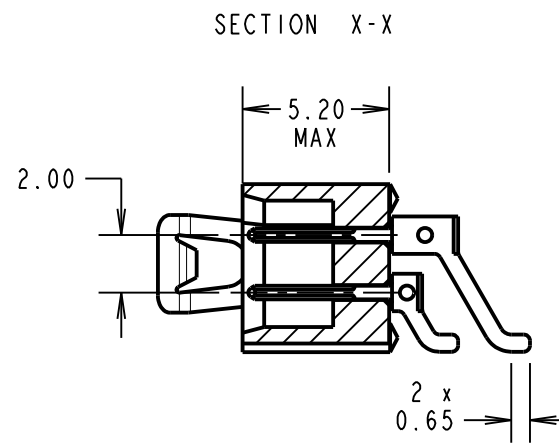
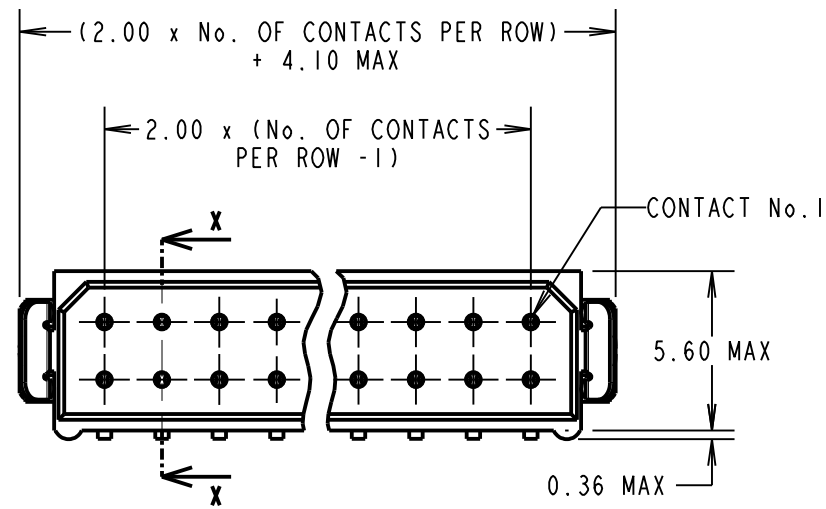
IF IN DOUBT - ASK

©

NOT TO SCALE

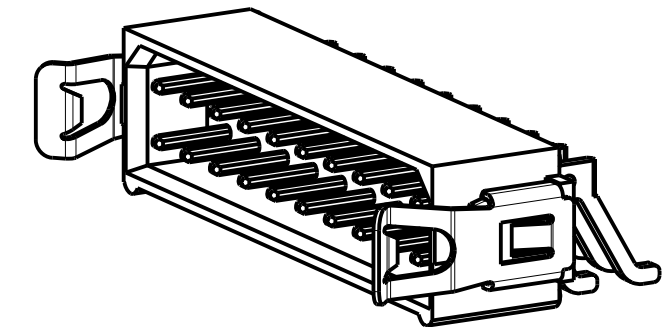
THIRD ANGLE PROJECTION

ALL DIMENSIONS IN mm

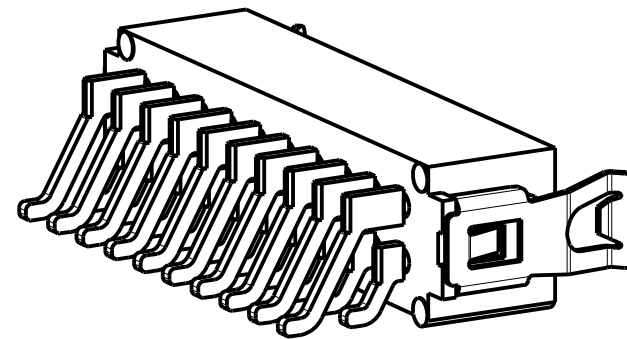
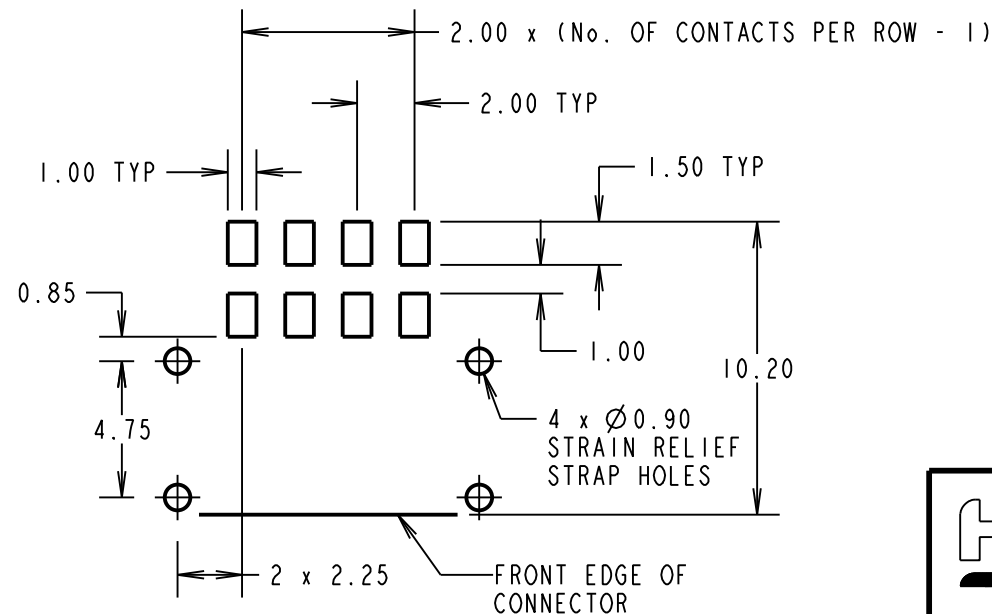


SPECIFICATIONS:

- MATERIAL:**
 Moulding = GLASS-FILLED PPS, UL94V-0, BLACK
 CONTACT = BRASS
 LATCH = BERYLLIUM COPPER
- FINISH:**
CONTACT:
 22 = 0.75µm GOLD ON CONTACT AREA,
 3µm 90/10 TIN/LEAD ON TAILS
 42 = 0.75µm GOLD ON CONTACT AREA,
 3µm 100% TIN ON TAILS
 45 = 0.75µm GOLD OVER NICKEL
 LATCH = 1.25µm NICKEL
- ELECTRICAL:**
 CURRENT RATING AT 25°C = 3.0A MAX
 CURRENT RATING AT 85°C = 2.2A MAX
 WORKING VOLTAGE = 800V AC/DC
 VOLTAGE PROOF = 1200V AC/DC
 CONTACT RESISTANCE = 25mΩ MAX
 INSULATION RESISTANCE = 100MΩ MIN
- MECHANICAL:**
 DURABILITY = 500 OPERATIONS
- ENVIRONMENTAL:**
 TEMPERATURE RANGE = -55°C TO +125°C
- PACKING:**
 TUBE, 2-OFF M80-0030006 STRAIN RELIEF STRAPS
 PER CONNECTOR IN BAG
- FOR COMPLETE SPECIFICATION, SEE COMPONENT SPECIFICATION C005XX (LATEST ISSUE)



RECOMMENDED PCB LAYOUT
 TOLERANCE ±0.05mm



ORDER CODE:
M80-666XXXX

No. OF CONTACTS
 04, 06, 08, 10, 12, 14,
 16, 18, 20, 26, 34

FINISH
 22 - GOLD, 90/10 TIN/LEAD
 42 - GOLD, 100% TIN
 45 - ALL OVER GOLD

MGP	10	01.12.21	31135
NAME	ISS.	DATE	CN/CO
APPROVED: MGP			
CHECKED: RA			
DRAWN: W. J. BOURNE			
CUSTOMER REF.:			
ASSEMBLY DRG:			

<p>www.harwin.com technical@harwin.com</p>	<p>THIS DRAWING AND ANY INFORMATION OR DESCRIPTIVE MATTER SET OUT HEREON ARE CONFIDENTIAL AND COPYRIGHT PROPERTY OF THE HARWIN GROUP AND MUST NOT BE DISCLOSED, LOANED, COPIED OR USED FOR MANUFACTURING, TENDERING OR FOR ANY OTHER PURPOSE WITHOUT THEIR WRITTEN PERMISSION.</p>	<p>TOLERANCES X. = ±1mm X.X = ±0.50mm X.XX = ±0.20mm X.XXX = ±0.01mm ANGLES = ±5° UNLESS STATED</p>	<p>MATERIAL: SEE ABOVE</p>	<p>TITLE: DATAMATE L-TEK MALE DIL HORIZONTAL SMT ASSEMBLY (LATCHED)</p>
			<p>FINISH: SEE ABOVE</p>	<p>DRAWING NUMBER: M80-666XXXX</p>