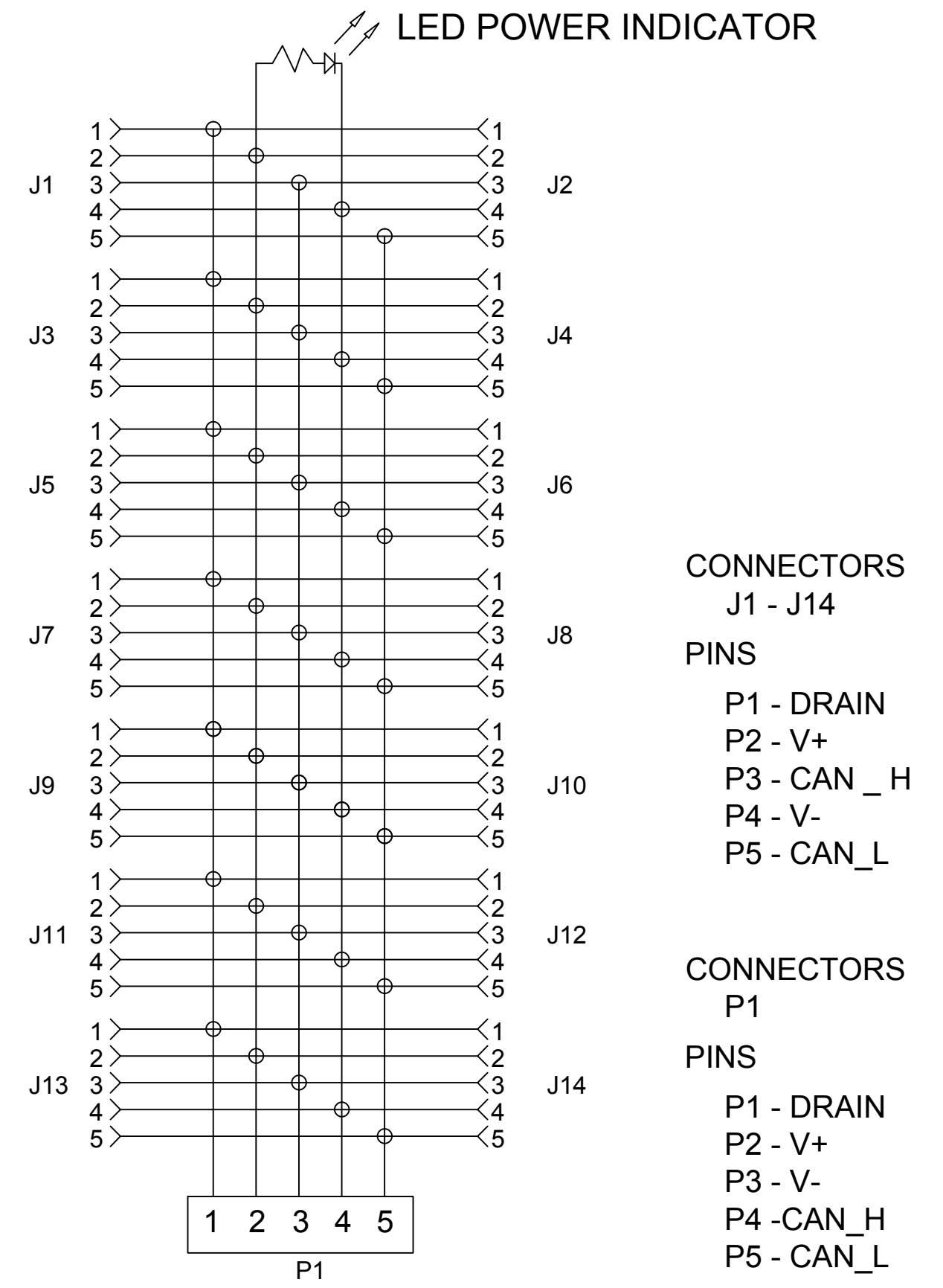
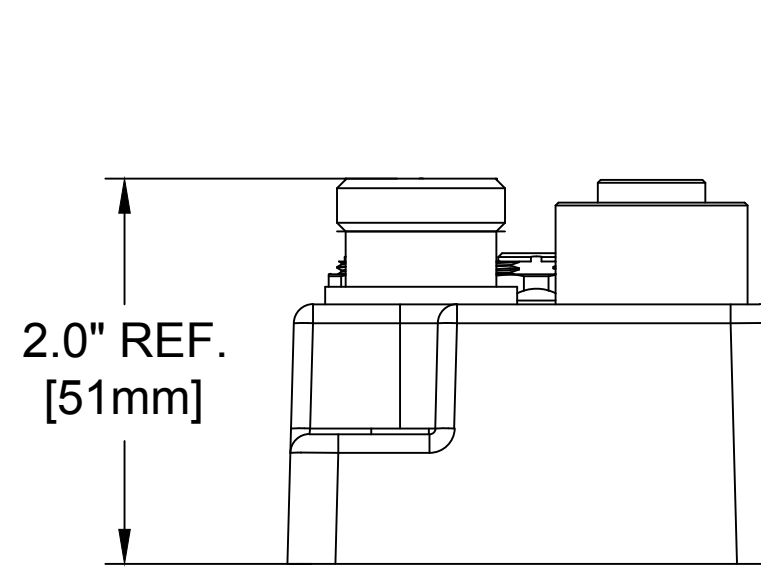
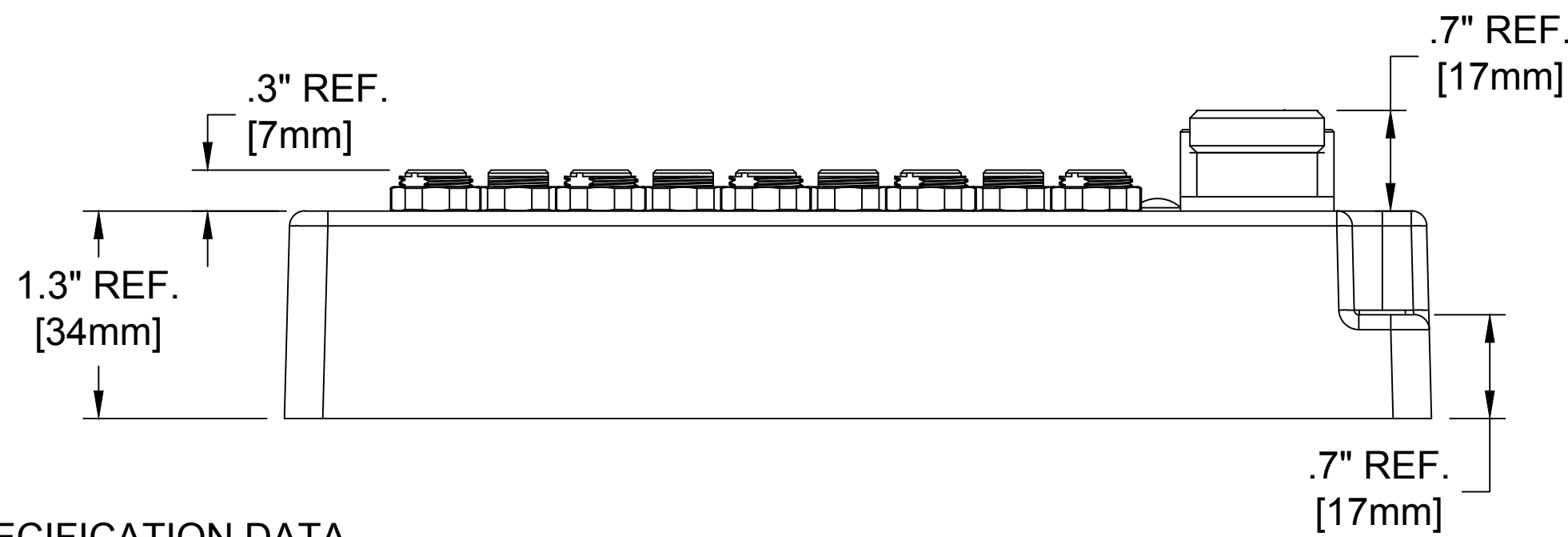
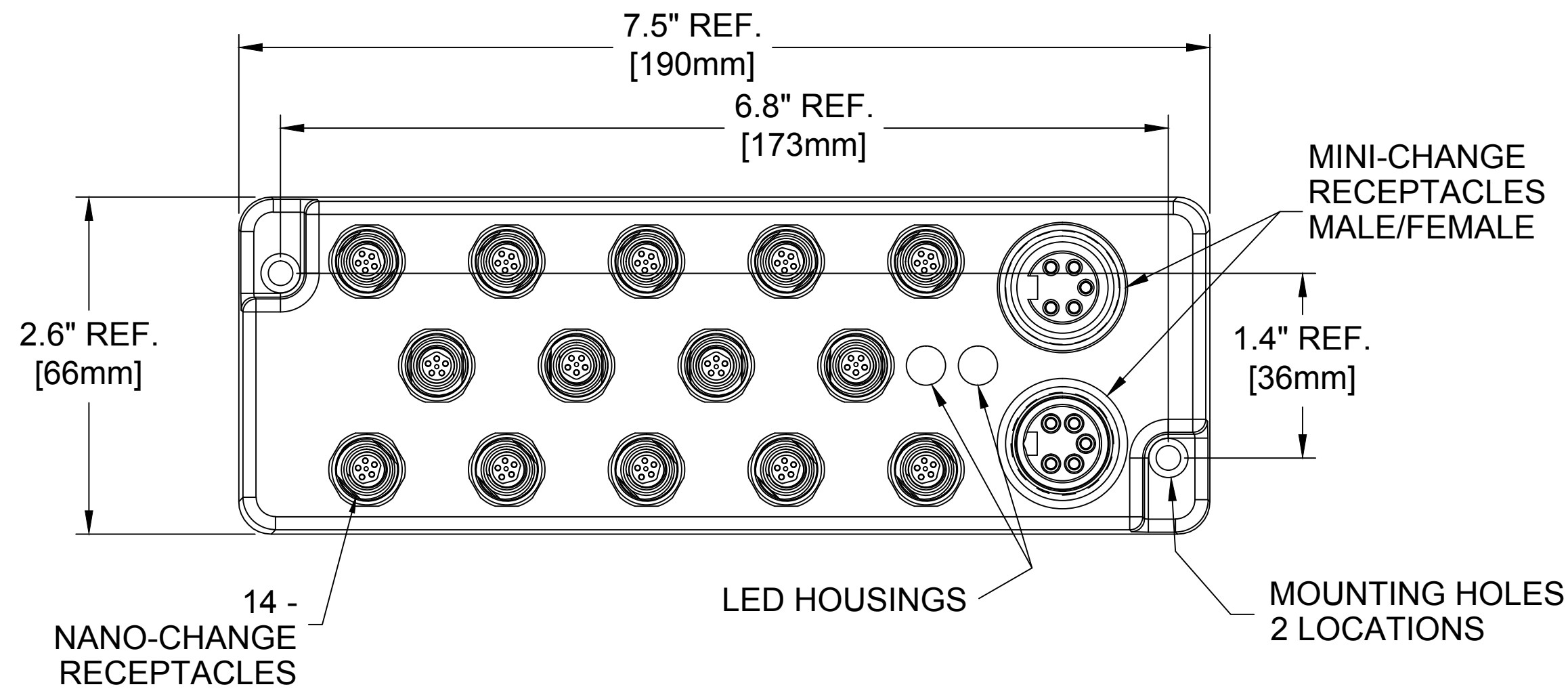


MATERIAL NUMBER	OLD PART NUMBER
1300380016	DNTA14114A1



**SPECIFICATION DATA**

COMPONENT	MATERIAL	FINISH
RECEPTACLE SHELL	BRASS	NICKEL PLATED
INSERT	RITFLEX	BLACK
O-RING	NITRILE	BLACK
HOUSING	ABS	GREY
VOLTAGE RATING:	36V DC	
AMPERAGE RATING:	8A	
PROTECTION CLASS:	IP 65	
OPERATING TEMPERATURE:	0°C / 60°C	

EC NO: ICG2014-0871 DRWN: GGUSTAFS 2013/11/12 CH'KD: BARDEN APPR: BWOODMAN2013/11/20	QUALITY SYMBOL	GENERAL TOLERANCES (UNLESS SPECIFIED)		DIMENSION STYLE	SCALE	DESIGN UNITS	THIRD ANGLE PROJECTION	
	$\nabla=0$ $\nabla C=0$	mm	INCH	IN/MM	NTS	INCH		
		4 PLACES	±---	±---	DRAWN BY	DATE	TITLE	<b>DNET NANO 14-PORT MPIS PASSIVE</b>  <b>MOLEX INCORPORATED</b>
		3 PLACES	±---	±.005	GGUSTAFS	2013/11/12		
	2 PLACES	±0.13	±.010	CHECKED BY	DATE			
	1 PLACE	±0.25	±.020	BARDEN	2013/11/21			
		ANGULAR ±.5°		APPROVED BY	DATE			
		DRAFT WHERE APPLICABLE MUST REMAIN WITHIN DIMENSIONS		BWOODMAN	2013/11/20			
				MATERIAL NO.		DOCUMENT NO.	SHEET NO.	
				SEE CHART		SD-130038-007	1 OF 1	
				SIZE C	THIS DRAWING CONTAINS INFORMATION THAT IS PROPRIETARY TO MOLEX INCORPORATED AND SHOULD NOT BE USED WITHOUT WRITTEN PERMISSION			