

# Lighting Controls

|            |           |
|------------|-----------|
| DATE:      | LOCATION: |
| TYPE:      | PROJECT:  |
| CATALOG #: |           |

## BTSMP SERIES

BLUETOOTH® HIGH MOUNT OUTDOOR PASSIVE INFRARED FIXTURE SENSOR

### FEATURES

- Passive Infrared (PIR) sensing technology provides excellent major motion detection
- Wireless programming using NX Lighting Controls mobile app
- 0-10V Dimming control
- Single/Dual motion sensor timer modes
- Daylight sensor with multiple daylight harvesting modes
- 360° and aisle coverage options
- Supports low temperature, water-tight and outdoor applications



BTSMP-HMO

BTSMP-HMO-A



### SPECIFICATIONS

#### CONSTRUCTION

- ABS (UL-945VA) flame class rating, UV inhibitors
- 4.0 oz (113.0g)
- White, Black, Gray finishes available
- External: 1.0" (25.4mm) H, 3.5" (84.6mm) W
- Internal Thread: 1.3" (27.94mm) L, 1.4" (35.6mm) W

#### ELECTRICAL

- Low Voltage sensors: 12-32VDC (Requires Dim to Off driver with auxiliary power or low voltage power supply - Not included)
- Dimming: 0-10V; Capable of sinking up to 30mA
- Bluetooth Radio: V5.0

#### OPERATION

- Indoor/Outdoor use
- 1:1.4 (Mounting Height : Coverage Radius); Up to 45ft Indoors, 40ft Outdoors; Minimum Mounting Height: 16ft
- Operating temperature: -40°F to 149°F (-40°C to 65°C)
- Wireless programming of sensor settings using NX Lighting Controls mobile app. Maximum programming distance: 45 Ft
- Easy to use slider controls for sensor settings

#### OPERATION (CONTINUED)

- Motion sensor and photosensor test modes
- Configurable LED motion indicator
- Single/Dual Motion Sensor Timer Modes
  - Single Timer Mode: Timer (0 sec - 30 mins), Level Adjustment (0-100%)
  - Dual Timer Mode: Timer 1 (0 sec - 30 mins), Level Adjustment (0-100%), Timer 2 (0 min - 5 hrs)
- Multiple Daylight Harvesting Modes
  - Full range dimming with auto configuration (closed loop operation)
  - Legacy dimming (open loop operation)
  - Dusk to dawn (On/Off operation)
  - Disabled (Default)
- Device Cloning: Sensor settings can be saved to device profiles and then cloned to other sensors
- Patented Intelliscope™ technology showing real-time occupancy data
- Security
  - Passcode protection to prevent unwanted changes
- Factory Defaults: Sensor can be set to factory defaults using the app.
- Over the Air (OTA) firmware updatable

#### OPERATION (CONTINUED)

- Dual element pyrometer and spherical Fresnel lens designed for robust detection of person walking

#### DAYLIGHT SENSOR

- Range: 1 to 50fc or 5 to 500fc

#### CERTIFICATIONS

- Conforms with UL STD 508, UL STD 244A
- IP65 Rated

#### WARRANTY

- 5 year limited

# Lighting Controls

DATE: \_\_\_\_\_ LOCATION: \_\_\_\_\_

TYPE: \_\_\_\_\_ PROJECT: \_\_\_\_\_

CATALOG #: \_\_\_\_\_

## BTSMP SERIES

BLUETOOTH® HIGH MOUNT OUTDOOR PASSIVE INFRARED FIXTURE SENSOR

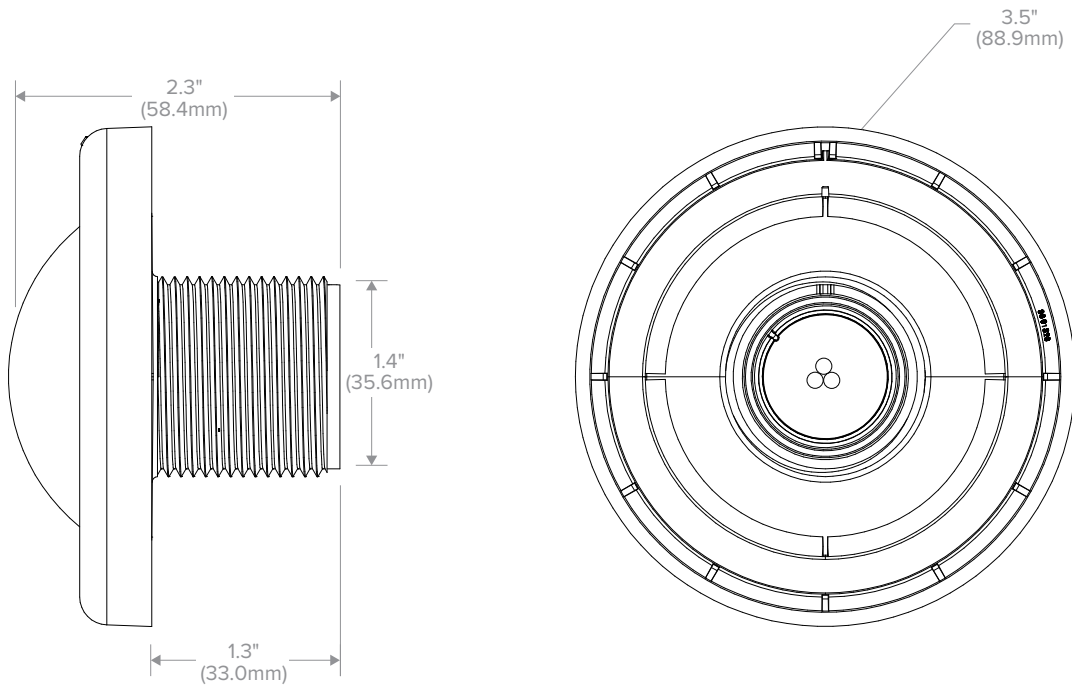
### ORDERING GUIDE

Example: BTSMP-HMO, BTSMP-HMO-A-BK

CATALOG #

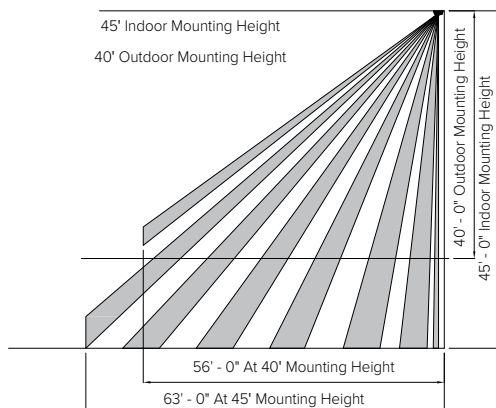
| BTSMP |   | Sensor Type                   |                                | Color |       |
|-------|---|-------------------------------|--------------------------------|-------|-------|
| Model |   | HMO                           | HMO-A                          | Blank | BK    |
| BTSMP | Bluetooth Sensor Module with Passive Infrared Sensing Technology, 24VDC | High Mount Outdoor, 360° Lens | High Mount Outdoor, Aisle Lens | White | Black |
|       |   |                               |                                | Gray  |       |

### DIMENSIONS

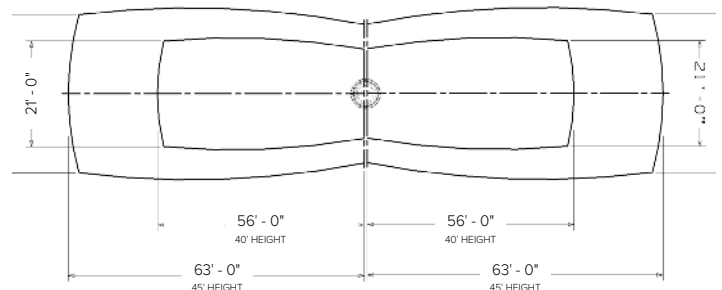


### ADDITIONAL INFORMATION

#### Coverage Patterns



Sensor Lens Coverage and Detection Patterns When Mounted at 40ft and 45ft with Standard Lens



Sensor Lens Coverage and Detection Patterns When Mounted at 40ft and 45ft with Aisle Lens (Top Down View)

