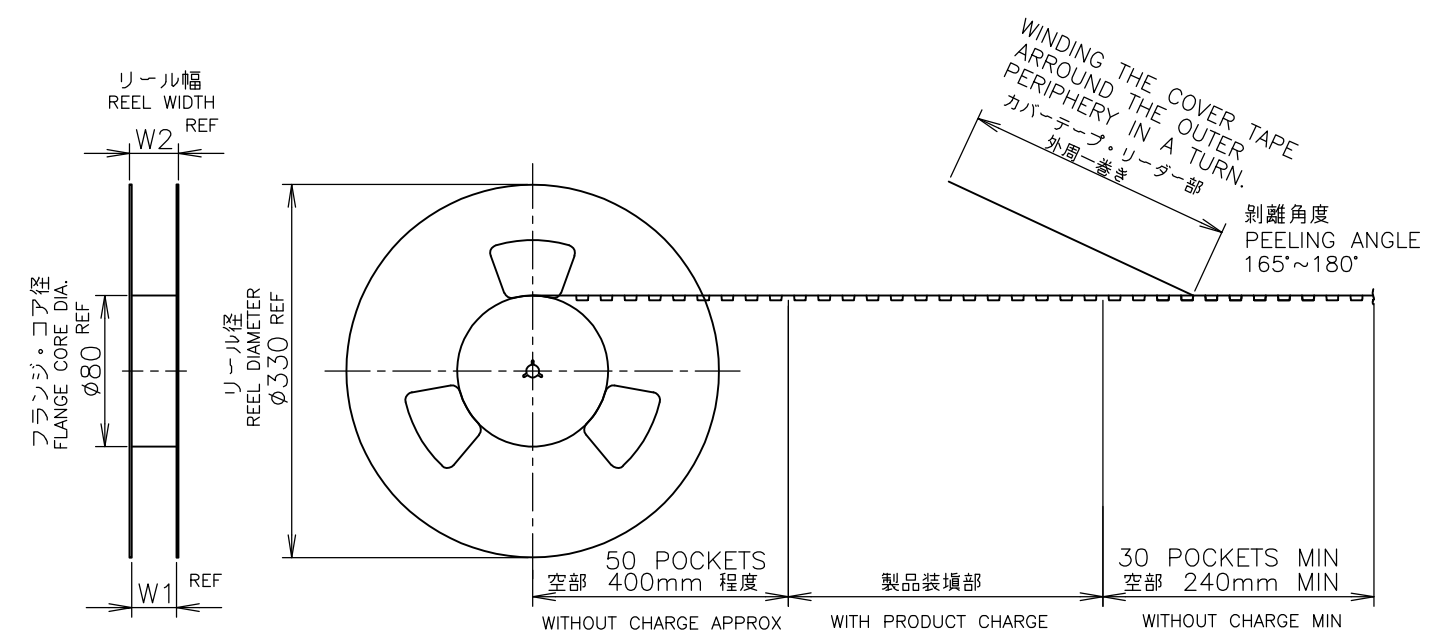
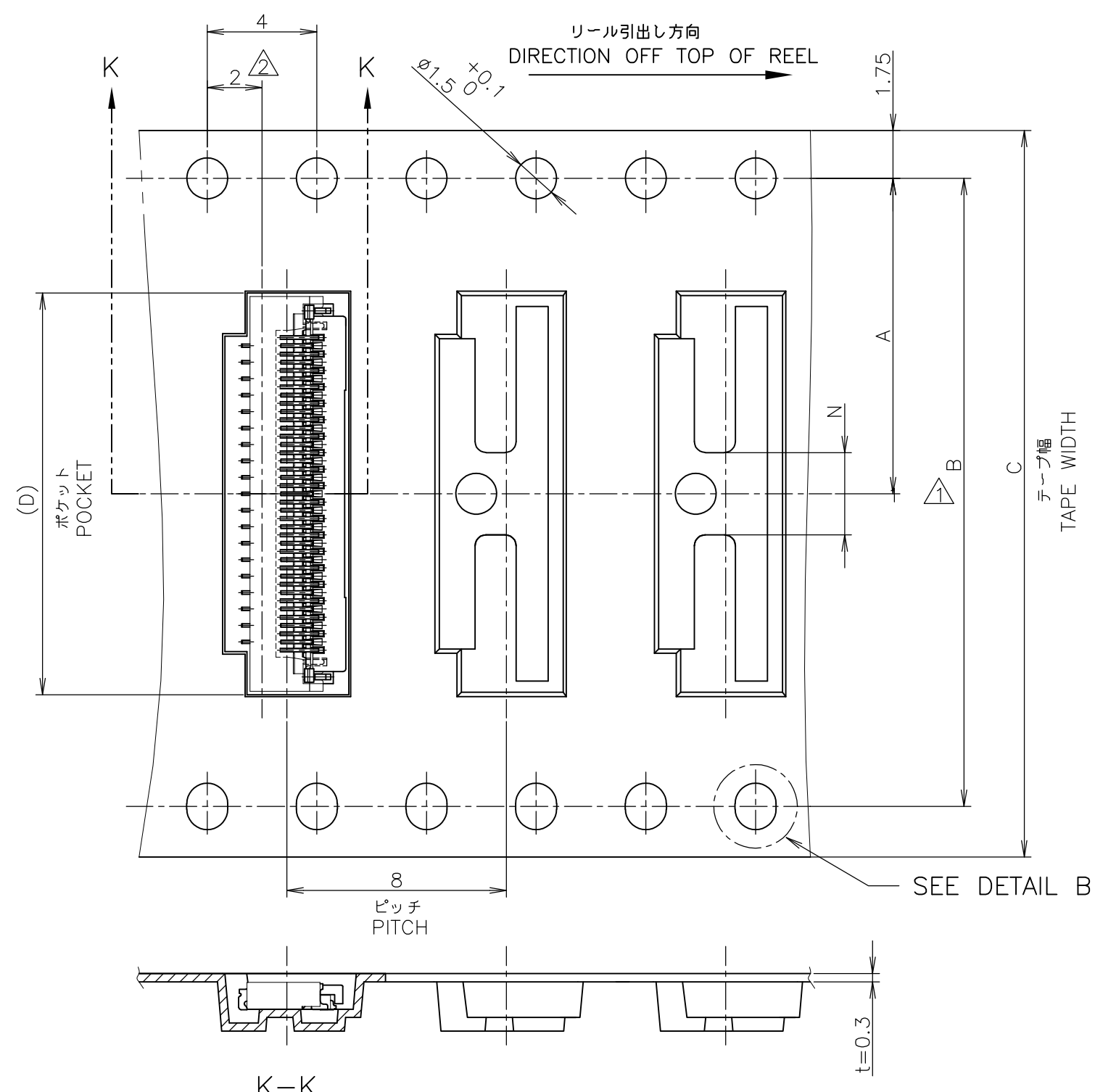


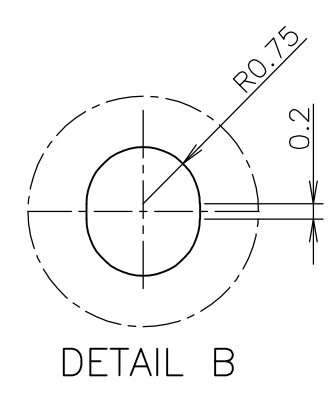
THIS DRAWING IS UNPUBLISHED. RELEASED FOR PUBLICATION MAR , 2004.
 © COPYRIGHT 2004 BY TYCO ELECTRONICS CORPORATION. ALL RIGHTS RESERVED.

LOC	DIST	REVISIONS					
		P	LTR	DESCRIPTION	DATE	DWN	APVD
J	/		C	REVISED ECR-07-029671	10DEC07	T.T	T.K



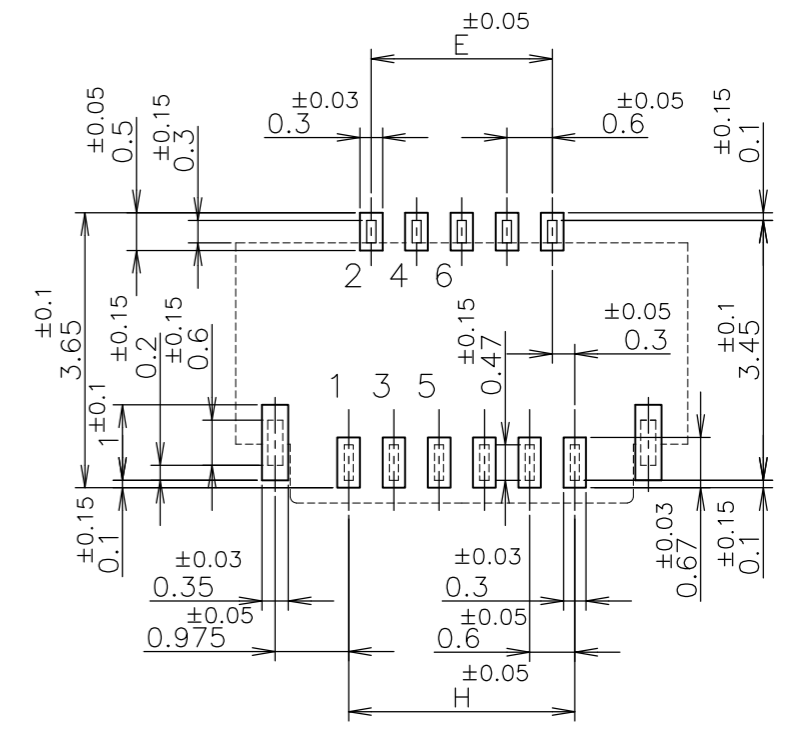
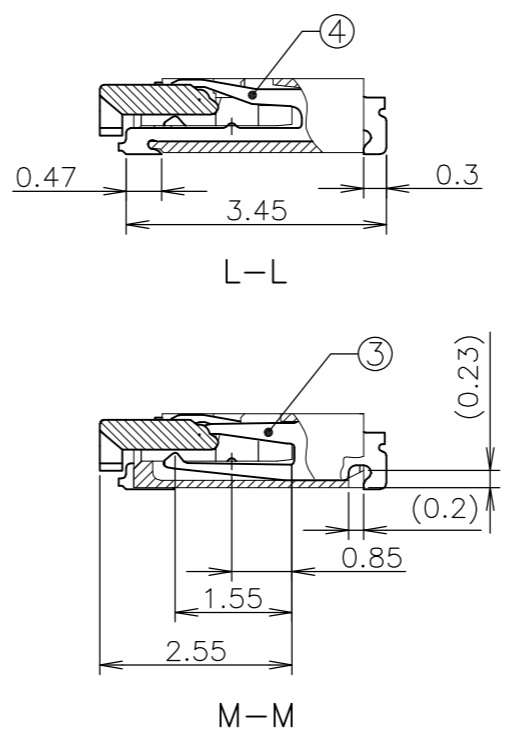
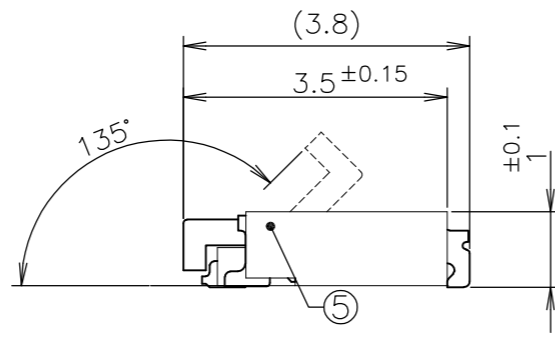
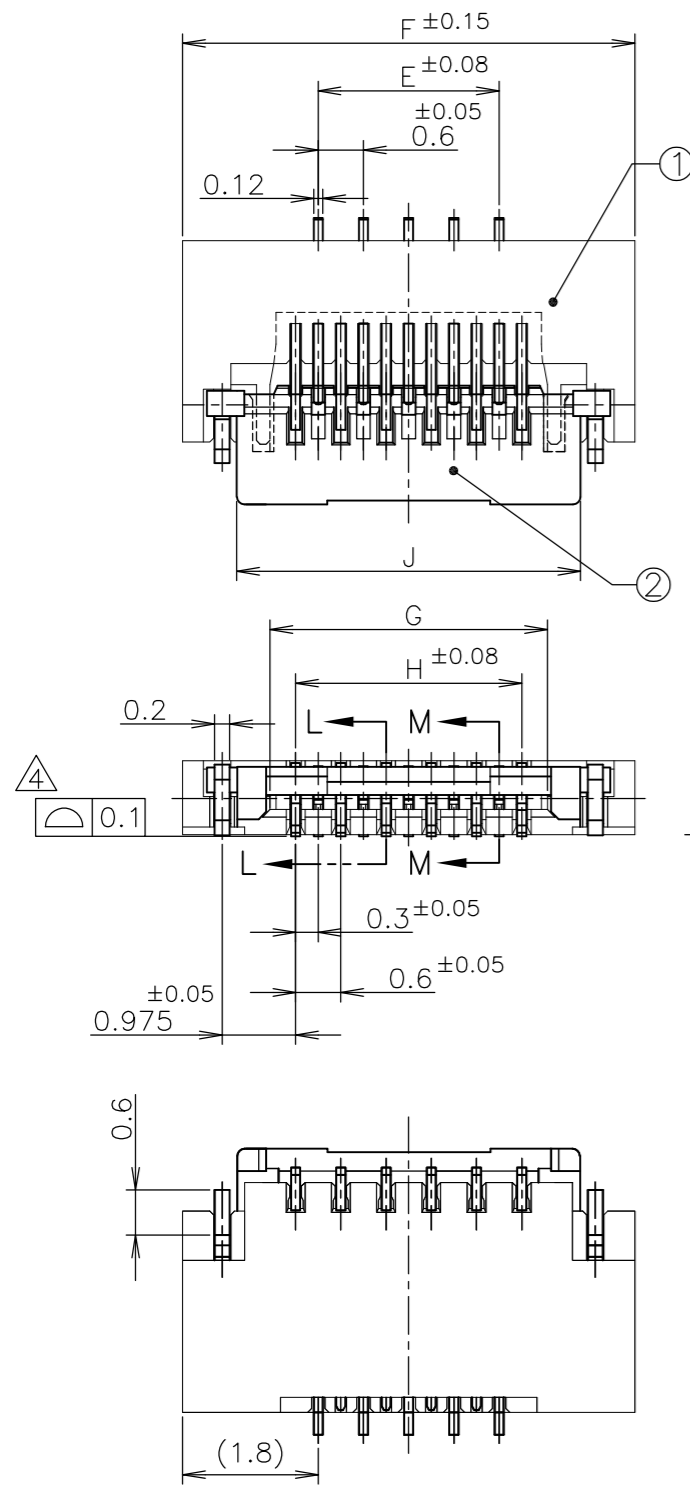
① B寸法はテープ幅 32mm 以上に適用
 ② コネクタ吸着面のセンターライン

① DIM. B APPLIED TAPE WIDE, 32mm MORE.
 ② CENTER LINE OF CONNECTOR ADSORPTION SURFACE.



THIS DRAWING IS A CONTROLLED DOCUMENT.		DWN Y.SHINO 11NOV05	Tyco Electronics Tyco Electronics AMP K.K. Kawasaki, Japan	
DIMENSIONS: 単位: 耗 mm		CHK M.IWASAKI 11NOV05	NAME 名称	
TOLERANCES UNLESS OTHERWISE SPECIFIED: 一般公差		APVD T.KUSUHARA 11NOV05	0.3mm FPC CONNECTOR FLIP LOCK TYPE, HEIGHT 1.0mm GOLD PLATE VERSION	
0 PLC ± 0.3 1 PLC ± 0.3 2 PLC ± 0.3 3 PLC ± 0.3 4 PLC ± 0.3 ANGLES ± 5°		PRODUCT SPEC 製品規格 108-5944	SIZE A3	CAGE CODE 00779
MATERIAL 材料		APPLICATION SPEC 取付適用規格	DRAWING NO 番号 G-1746237	RESTRICTED TO
FINISH 仕上		WEIGHT	CUSTOMER DRAWING	
		SCALE 尺度 NTS	SHEET 1 OF 3	REV C

LOC J	DIST /	REVISIONS 変更					
		P	LTR	DESCRIPTION	DATE	DWN	APVD
			-	SEE SHEET 1	-	-	-



参考基板レイアウト
 (コネクタ搭載面)
 REFERENCE PWB LAYOUT
 (CONN. MOUNTING SIDE)
 (SCALE 10:1)

- ③ 一般公差
 10以下: ±0.2 10 ≥: ±0.2
 10を越え 30以下: ±0.25 30 ≥ >10: ±0.25
 30を越え 100以下: ±0.3 100 ≥ >30: ±0.3
 角度: ±3° ANGLES: ±3°
- ④ コプラナリティ 0.1MAX. ④ COPLANARITY 0.1MAX.

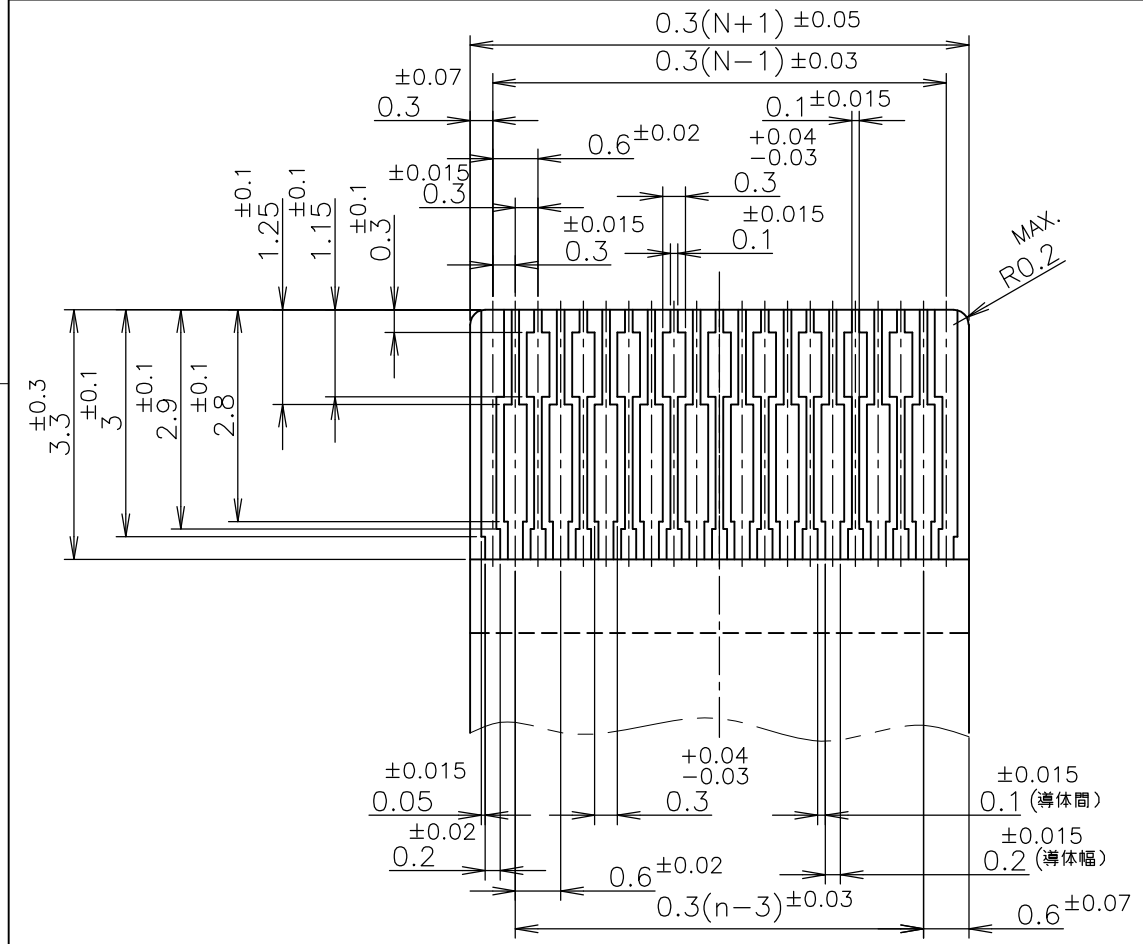
Ni下地めっき Ni UNDER PLATING	Snめっき Sn PLATING	銅合金 COPPER ALLOY	ソルダーペグ SOLDER PEG	⑤
Ni下地めっき Ni UNDER PLATING	Auめっき Au PLATING	銅合金 COPPER ALLOY	コンタクト2 CONTACT 2	④
Ni下地めっき Ni UNDER PLATING	Auめっき Au PLATING	銅合金 COPPER ALLOY	コンタクト1 CONTACT 1	③
色: 黒色 COLOR: BLACK		THERMO PLASTIC	アクチュエーター ACTUATOR	②
色: 乳白色 COLOR: BEIGE		THERMO PLASTIC	ハウジング HOUSING	①
FINISH		MATERIAL	NAME	

PARTS LIST

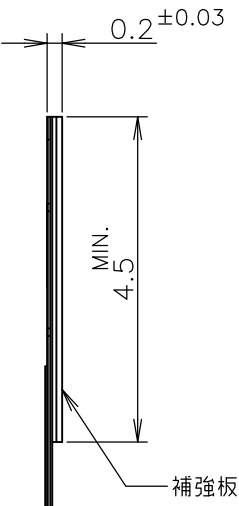
THIS DRAWING IS A CONTROLLED DOCUMENT.		DWN	Tyco Electronics Tyco Electronics AMP K.K. Kawasaki, Japan	
DIMENSIONS: 単位: 耗 mm		CHK	NAME 名称	
TOLERANCES UNLESS OTHERWISE SPECIFIED: 一般公差		APVD	0.3mm FPC CONNECTOR FLIP LOCK TYPE, HEIGHT 1.0mm GOLD PLATE VERSION	
MATERIAL 材料		PRODUCT SPEC 製品規格	SIZE A3	CAGE CODE 00779
FINISH 仕上		APPLICATION SPEC 取付適用規格	DRAWING NO 番号	RESTRICTED TO
		WEIGHT	G-1746237	
		CUSTOMER DRAWING		SCALE 尺度 NTS
		SHEET 2 OF 3		REV C

THIS DRAWING IS UNPUBLISHED. RELEASED FOR PUBLICATION MAR ,2004.
 © COPYRIGHT 2004 BY TYCO ELECTRONICS CORPORATION. ALL RIGHTS RESERVED.

LOC	DIST	REVISIONS		
J	/	P	LTR	変更
		DESCRIPTION		DATE
		SEE SHEET 1		DWN
				APVD



参考FPCレイアウト
 REFERENCE LAYOUT
 (SCALE 10:1)



NOT AVAILABLE	-	39.5	33.5	16.55	15	15.68	18	14.4	18.25	32	28.4	14.2	4000	51	2-1746237-1
AVAILABLE	-	30.4	25.5	14.75	13.2	13.88	16.2	12.6	16.45	24	/	11.5	4000	45	1-1746237-8
AVAILABLE	2.5	30.4	25.5	12.95	11.4	12.08	14.4	10.8	14.65	24	/	11.5	4000	39	1-1746237-5
NOT AVAILABLE	-	30.4	25.5	12.35	10.8	11.48	13.8	10.2	14.05	24	/	11.5	4000	37	1-1746237-4
AVAILABLE	2.5	30.4	25.5	11.75	10.2	10.88	13.2	9.6	13.45	24	/	11.5	4000	35	1-1746237-3
AVAILABLE	3	30.4	25.5	11.15	9.6	10.28	12.6	9	12.85	24	/	11.5	4000	33	1-1746237-2
NOT AVAILABLE	-	30.4	25.5	10.55	9	9.68	12	8.4	12.25	24	/	11.5	4000	31	1-1746237-1
AVAILABLE	-	30.4	25.5	9.95	8.4	9.08	11.4	7.8	11.65	24	/	11.5	4000	29	1-1746237-0
AVAILABLE	2.5	30.4	25.5	9.35	7.8	8.48	10.8	7.2	11.05	24	/	11.5	4000	27	1746237-9
NOT AVAILABLE	-	23.5	17.5	8.75	7.2	7.88	10.2	6.6	10.45	16	/	7.5	4000	25	1746237-8
AVAILABLE	3	23.5	17.5	8.15	6.6	7.28	9.6	6	9.85	16	/	7.5	4000	23	1746237-7
NOT AVAILABLE	-	23.5	17.5	7.55	6	6.68	9	5.4	9.25	16	/	7.5	4000	21	1746237-6
NOT AVAILABLE	-	23.5	17.5	6.95	5.4	6.08	8.4	4.8	8.65	16	/	7.5	4000	19	1746237-5
NOT AVAILABLE	-	23.5	17.5	6.35	4.8	5.48	7.8	4.2	8.05	16	/	7.5	4000	17	1746237-4
NOT AVAILABLE	-	19.5	13.5	5.75	4.2	4.88	7.2	3.6	7.45	12	/	5.5	4000	15	1746237-3
NOT AVAILABLE	-	19.5	13.5	5.15	3.6	4.28	6.6	3	6.85	12	/	5.5	4000	13	1746237-2
NOT AVAILABLE	-	19.5	13.5	4.55	3	3.68	6	2.4	6.25	12	/	5.5	4000	11	1746237-1

TOOLING STATUS	N	W2	W1	J	H	G	F	E	D	C	B	A	数量(ヶ)	POS.	PART NUMBER
	DIMENSIONS												QTY/REEL		

THIS DRAWING IS A CONTROLLED DOCUMENT.

DWN _____
 CHK _____
 APVD _____

Tyco Electronics Tyco Electronics AMP K.K.
 Kawasaki, Japan

DIMENSIONS: 単位: 耗 mm
 TOLERANCES UNLESS OTHERWISE SPECIFIED: 一般公差

0 PLC	±
1 PLC	±
2 PLC	±
3 PLC	±
4 PLC	±
ANGLES	±

MATERIAL 材料 FINISH 仕上

PRODUCT SPEC 製品規格
 APPLICATION SPEC 取付適用規格

NAME 名称: 0.3mm FPC CONNECTOR
 FLIP LOCK TYPE, HEIGHT 1.0mm
 GOLD PLATE VERSION

SIZE: A3 CAGE CODE: 00779 DRAWING NO: 1746237 RESTRICTED TO: _____

WEIGHT _____

CUSTOMER DRAWING SCALE: 尺度 NTS SHEET: 3 OF 3 REV: C