



- RM6 Core Design
- Made with UL Approved Materials
- Operating Temp Range: -40°C to +125°C

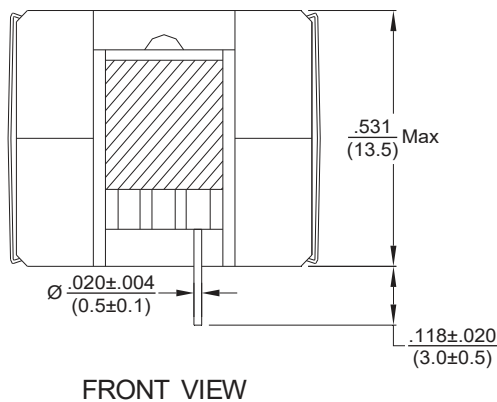
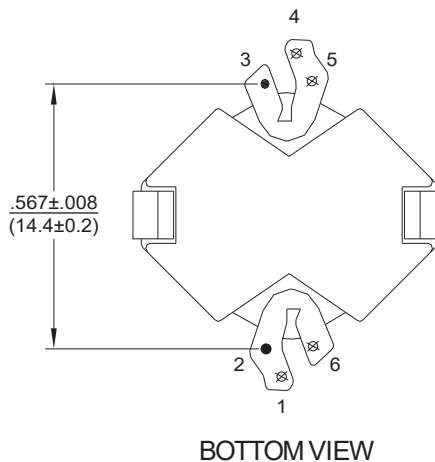
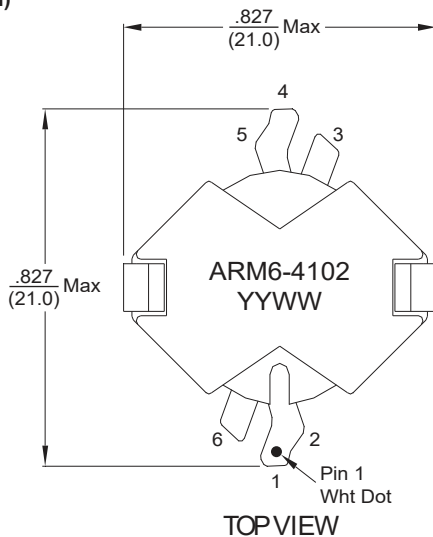


Primary Electrical Specifications @ 25°C			
INDUCTANCE @ 1KHZ, 0.3V	DC RESISTANCE	RATED CURRENT	HI-POT 1mA / 1Sec
(2 - 3)	(2 - 3)	(A) Max	Winding to Core
570mH±10%	40.0Ω Max	0.1	200VAC

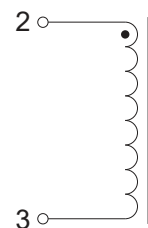
All specifications subject to change without notice.

MECHANICAL

Dimensions: $\frac{\text{inch}}{\text{(mm)}}$



SCHEMATIC



NOTE: Remove pins 1, 4, 5, & 6