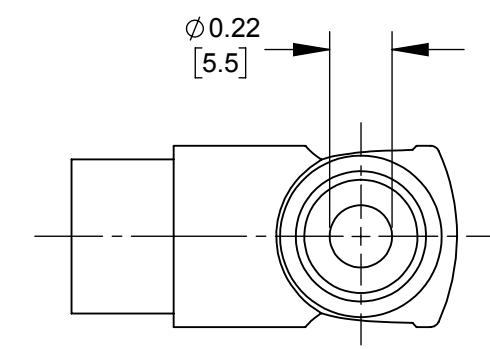
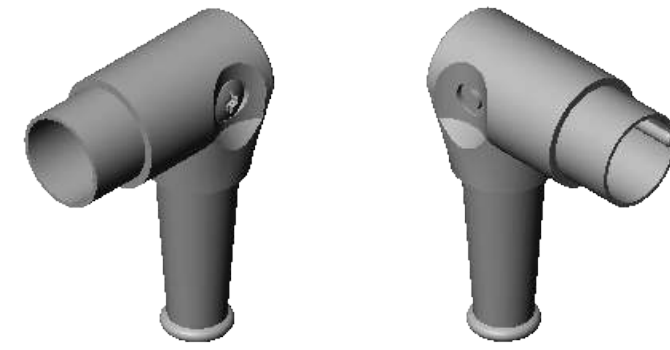
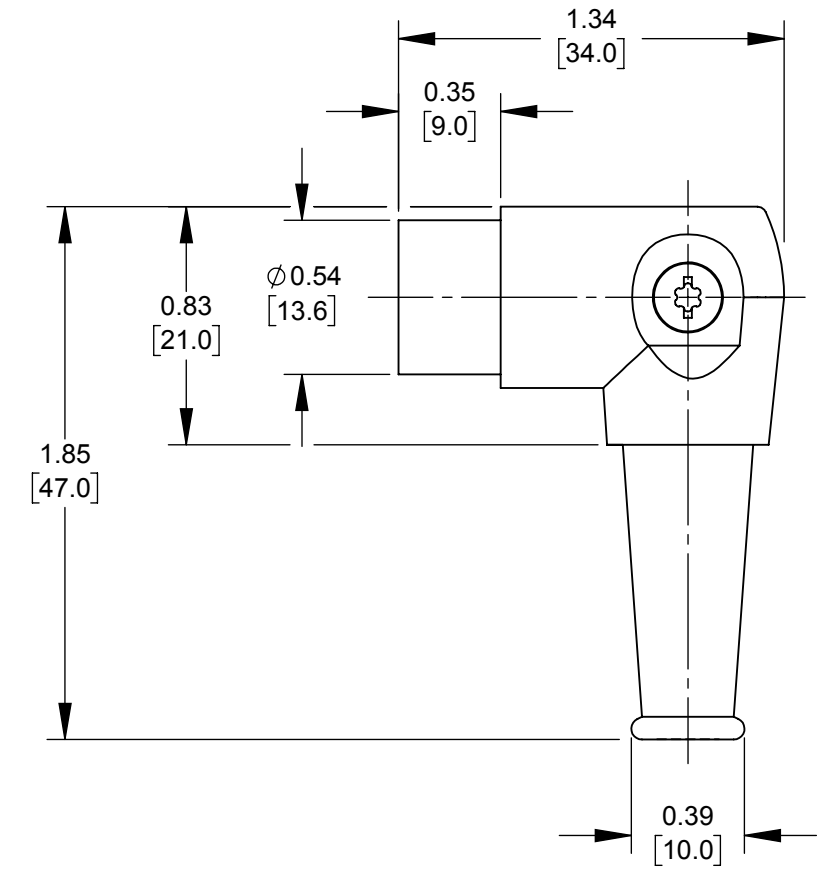
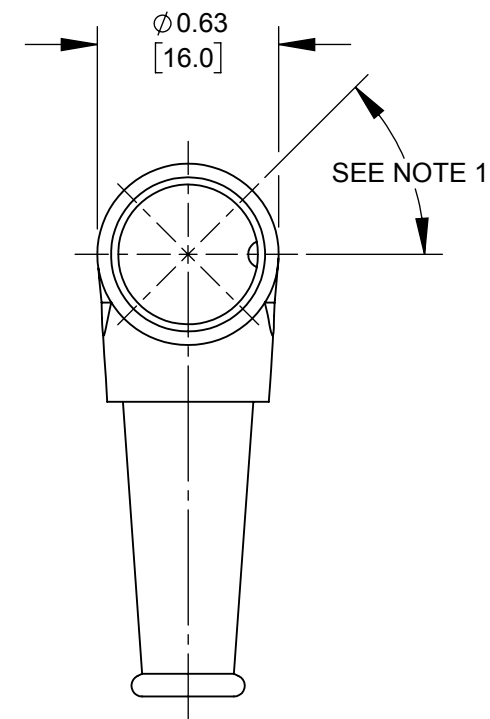


**PIN LAYOUTS**



- NOTES:**
1. PIN HOUSING WITH KEYWAY CAN BE ROTATED 45° 8 POSITIONS.
  2.  $\varnothing 0.04$  [1.0mm] X 0.08 [2.0mm] DEEP HOLE IN PIN FOR SOLDERING.
  3.  $\varnothing 0.21$  [5.4mm] ID X 0.39 [10.0mm] LONG CABLE CLAMP TUBE NOT SHOWN.
  4. MATERIALS:  
 TWO PIECE HANDLE & PIN HOUSING - ZINC ALLOY, NICKEL PLATED  
 INSERT - THERMOPLASTIC, BLACK  
 PINS - COPPER ALLOY, TIN PLATED  
 FLEX RELIEF - THERMOPLASTIC, BLACK  
 CABLE CLAMP TUBE - COPPER ALLOY  
 SCREW - STEEL, NICKEL PLATED
  5. SHIPPED ASSEMBLED.
  6. THESE PRODUCTS ARE RoHS COMPLIANT.

**CUSTOMER DRAWING**

REV	ECO NUMBER	DATE	BY	APVD
B	28010	3/14/18	TJK	TJK
A	26000	3/3/06	TJK	TJK

UNLESS OTHERWISE SPECIFIED

1. ALL DIMENSIONS IN INCHES

- TWO PLACE DECIMALS ±0.02

- THREE PLACE DECIMALS ±0.005

**DO NOT SCALE DRAWING**

THIS DRAWING DESCRIBES A DESIGN CONSIDERED PROPRIETARY IN NATURE, DEVELOPED AND MANUFACTURED BY SWITCHCRAFT INC. AND IS RELEASED ON A CONFIDENTIAL BASIS FOR IDENTIFICATION PURPOSES ONLY.									
SIZE	WIDTH	MULT	LBS/M	TEMPER					
FINISH					MATERIAL				
SPEC No.					SPEC No.				
FIRST USED ON			SCALE		<b>Switchcraft</b> <sup>®</sup>				
			3:2						
DATE DRAWN	BY	CHKD TO	APVD						
5-Jun-13	TO	6-5-13	TJK						
NAME					PART No.				
MALE DIN 5-7 PIN CORD PLUG CONNECTOR, RoHS					05DL_MX, 12DL_MX, 15DL_MX SERIES				
					REV <b>B</b>				