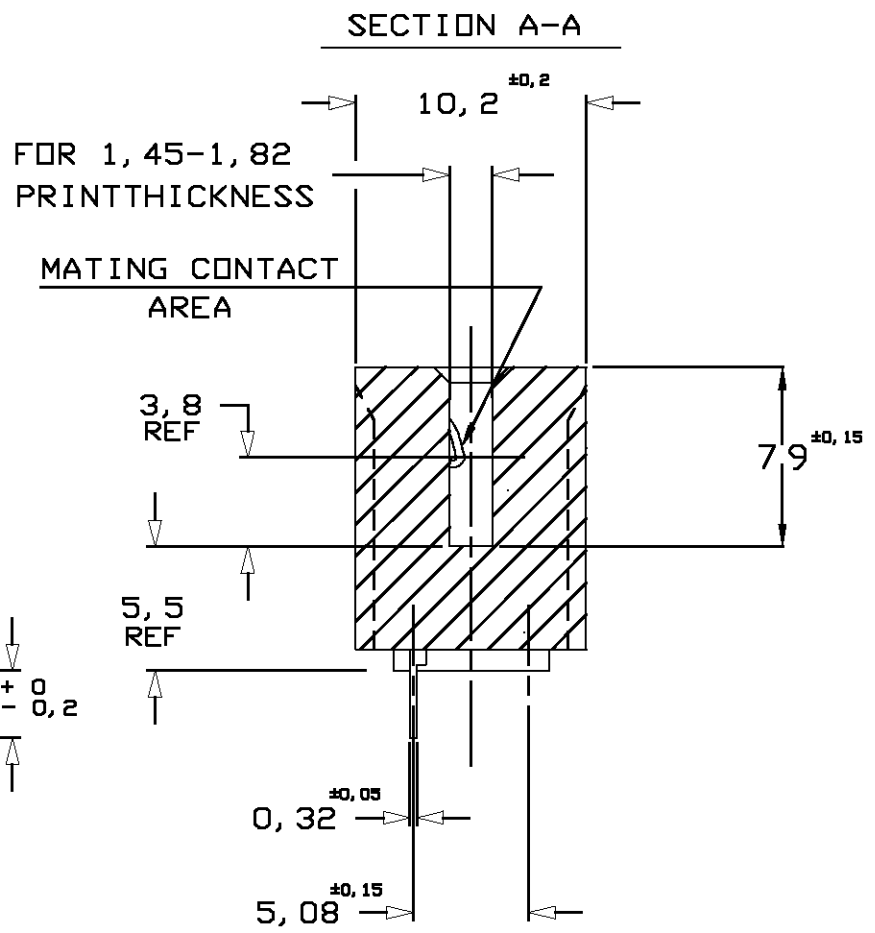


- NOTES:
1. PRODUCT SPECIFICATION: 108-19041
2. PACKAGING: ON PLASTIC TUBES, BOXED



CONTACT: 0, 4µm MIN SELECTIVE GOLD PLTD ON MATING CONTACT AREA AND 3, 0µm MIN TIN PLTD ON CONTACT POST, OVER 1, 25µm MIN Ni PLTD UNDERLAYER
HOUSING: THERMOPLASTIC POLYESTER 20% GF, UL94-v0 COLOUR GREEN
CONTACT: PH. BRONZE H06
1-166088-3

CUSTOMER DRAWING FOR REFERENCE ONLY WILL NOT BE UPDATED
tyco Electronics
tyco Electronics AMP Italia S.p.A. C.so F.lli Cervi, 15 - Collegno (TO)
THIS DRAWING IS UNPUBLISHED RELEASED FOR PUBLICATION JULY 1986
© COPYRIGHT 1986 BY AMP-HOLLAND B. V. ALL INTERNATIONAL RIGHTS RESERVED. AMP PRODUCTS MAY BE COVERED BY U. S. AND FOREIGN PATENTS AND/OR PATENTS PENDING.

H2	ET00-0047-04	D.C.	C.T.	05MAR2004	DR. C. SOUSA	DATE 08-07-86
H1	ET00-0115-03	D.C.	C.T.	24JUN2003	CHK. J. BROEKSTEEG	DATE 08-07-86
H	ET00-0068-03	P.B	D.C	9-5-03		
G	-	-	-	12-6-89	APP. L. V. SOEST	DATE 09-07-86
LTR.	REVISION RECORD	DR.	CHK.	DATE		

WIRE RANGE _____ NAME
INSUL. RANGE _____
SIZE A3 SHEET 1 OF 1 DRAWING NO C-166088 REV. LTR. H2
13 POS. AMP-EDGE CONN., 2.54 PITCH SINGLE LOADED WITH B. T. B. CONTACTS