

Q170A-IM-A

ATX, LGA1151 socket for the 6th/7th Gen CPU, Q170 chipset, 2*U-DIMM.
4*PCIe, 3*PCI, HDMI, VGA, Dual LAN, M.2 slot

Features

- Two 288-pin U-DIMM up to 32GB DDR4 2400/2133 MHz
- Supports Dual displays: VGA/HDMI
- 7-year longevity supply
- Wide Temperature Range: 0~60°C

Specifications

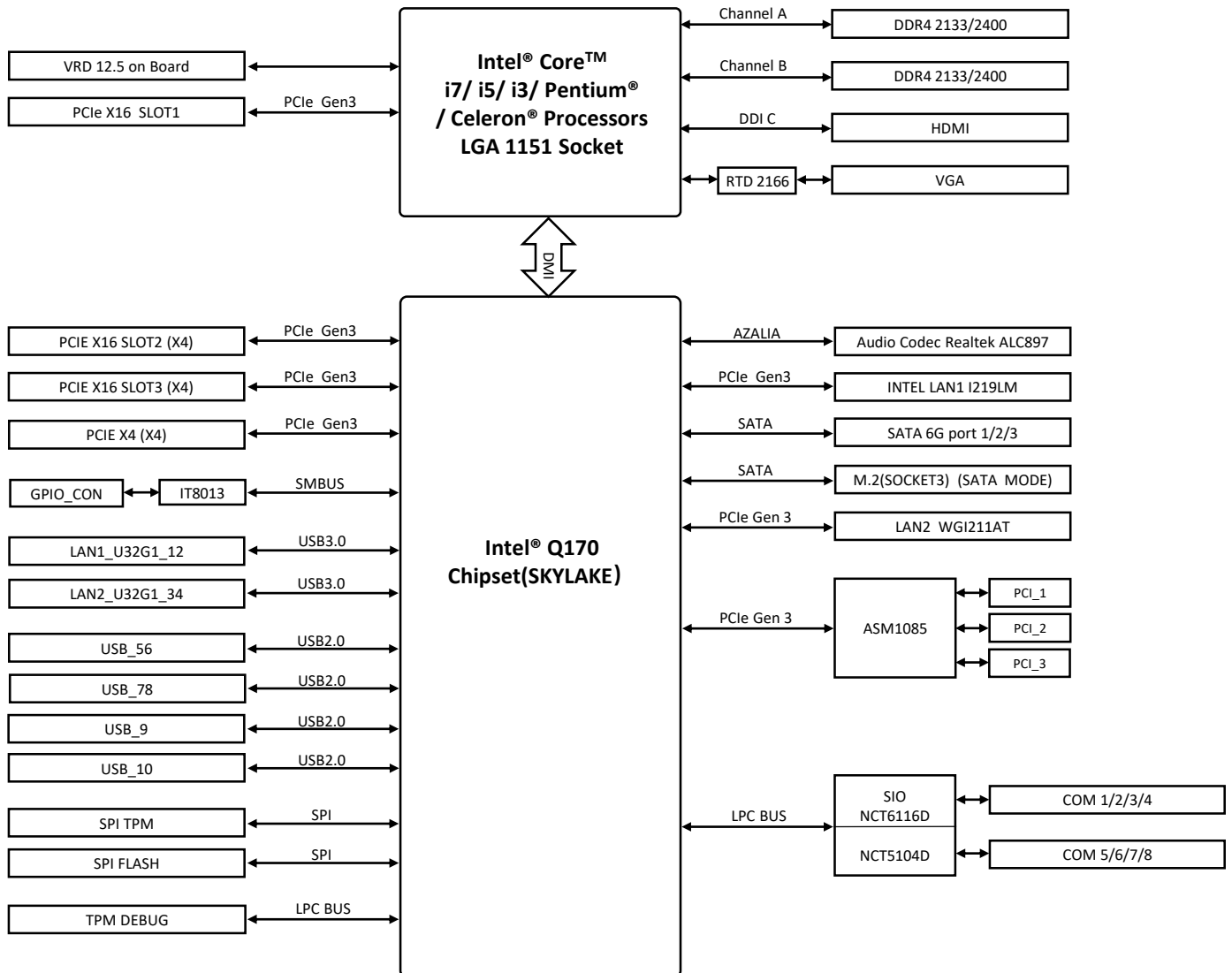


Processor System	CPU	Intel® Socket 1151 for 7th/6th Generation Core™ i7/i5/i3/Pentium®/Celeron® Processors supports Intel® 14 nm CPU, support max. 65W TDP
	CHIPSET	Intel® Q170 chipset
Memory	Technology	DDR4 2400/2133 MHz
	Max.	32GB
	Socket	2 x U-DIMM
Display	VGA	1, Supports up to 1920 x 1200 @60Hz
	HDMI	1, Supports up to 4096 x 2160 @ 24Hz
	Dual Display	VGA+HDMI(Default)
Expansion Slot	PCIe	1 x PCIe 3.0/2.0 x16 slot (x16 mode) 2 x PCIe 3.0/2.0 x16 slot (x4 mode) 1 x PCIe 3.0/2.0 x4 slot
	PCI	3 x PCI
	M.2	1 x M.2 Socket 3 with M key, type 2242/2260/2280(SATA mode)
Ethernet	Speed	10/100/1000Mbps
	Controller	1 x Intel® I219LM, 1 x Intel® I211AT, supports WOL/PXE
	Connector	2 x RJ-45
Audio	Codec	Realtek ALC897
	Connector	Line-Out, Line-In, Mic in
Storage	SATA port	3 x SATA Gen 3.0, up to 6Gb/s
Rear I/O	VGA	1
	HDMI	1
	USB 3.2 Gen1	4
	Ethernet	2
	Serial Port	2(RS232/422/485)
	Audio jack	3
	PS/2	1 x Keyboard Port, 1 x Mouse Port
Internal Connector	Serial Port	6 (RS232)
	USB2.0	2 x Header Support Additional 4 x USB2.0 Connectors 2 x Stick Socket
	CPU Fan Connector	1 (PWM Mode)
	Chassis Fan Header	1 (PWM+DC Mode)
	Chassis Intrusion Header	1
	Front Panel Audio Connector (AAFP)	1
	System Panel Header	1
	Clear CMOS Jumper	1
	Speaker Connector	1
	LPC Debug Header	1
	I ² C Header	1
	Parallel	1
	GPIO Header	1 (8 Bit)
	AT/ATX Select Header	1
	Power Connector	1 x 4-pin ATX Power Connector, 1 x 24-pin ATX Power Connector

Specifications

Watchdog Timer	H/W	YES
Security	TPM	1 x SPI TPM header
Power	Power Type	AT/ATX mode
Operating System	Microsoft Windows	Windows 7 (32/64bit) / Windows 10 (64bit) / Win10 IoT Enterprise
	Linux	Ubuntu, Red Hat Enterprise, Fedora Workstation, Open SUSE
Environment	Operating Temperature	0~60° C
	Non-Operating Temperature	-40~85° C
	Relative Humidity	Operational humidity: 40° C @ 95%
Dimension	Form Factor	ATX, 305 x 244 mm
Certification	EMI & Safety	CE, FCC

Block Diagram



Order Information

Model name	Part number	Description
Q170A-IM-A	90ME02X0*	Q170A-IM-A//LGA1151,Q170,PCI,COM,MB

* The part number might vary for different regulations and package. Please consult the TPM in your region for exact 90PN.

Packing List

Part number	Description	Quantity
13020*	IO shield	1
14013*	SATA 6G CABLE	1
13020*	M.2 screw pack	1

* The part number might vary due to part number revision.