

CUSTOMER TERMINAL	RoHS	LEAD(Pb)-FREE
Sn96%, Ag4%	Yes	Yes



ELECTRICAL SPECIFICATIONS @ 25°C unless otherwise noted:

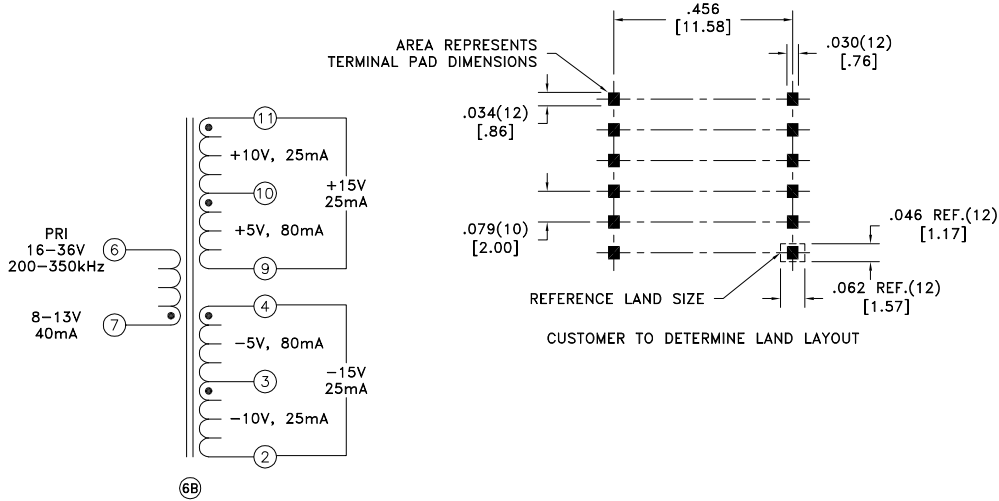
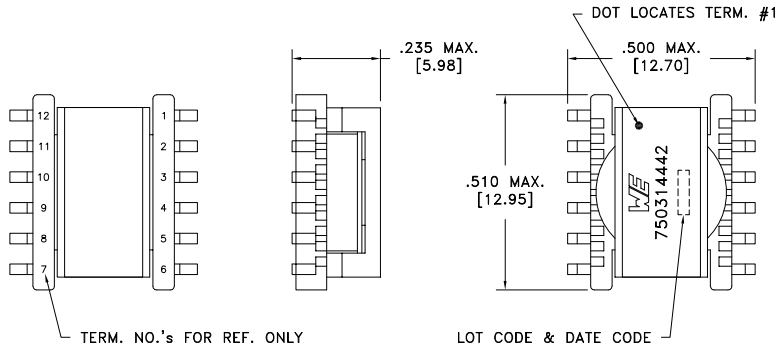
PARAMETER	TEST CONDITIONS	VALUE
D.C. RESISTANCE	11-10 @20°C	0.153 ohms ±10%
D.C. RESISTANCE	2-3 @20°C	0.154 ohms ±10%
D.C. RESISTANCE	7-6 @20°C	0.383 ohms ±10%
D.C. RESISTANCE	10-9 @20°C	0.075 ohms ±10%
D.C. RESISTANCE	3-4 @20°C	0.076 ohms ±10%
INDUCTANCE	7-6 10kHz, 100mVAC, Ls	45.0uH ±10%
SATURATION CURRENT	20% rolloff from initial	780mA
LEAKAGE INDUCTANCE	7-6 tie(2+3+4+9+10+11), 100kHz, 100mVAC, Ls	930nH max.
DIELECTRIC	7-9 tie(2+11), 1875VAC, 1 second	1500VAC, 1 minute
TURNS RATIO	(7-6):(11-10)	1.041:1, ±1%
TURNS RATIO	(7-6):(3-2)	1.041:1, ±1%
TURNS RATIO	(7-6):(10-9)	2.083:1, ±1%
TURNS RATIO	(7-6):(4-3)	2.083:1, ±1%

GENERAL SPECIFICATIONS:

OPERATING TEMPERATURE RANGE: -40°C to +125°C including temp rise.

Designed to comply with the following requirements as defined by IEC60950-1, EN60950-1, UL60950-1/CSA60950-1 and AS/NZS60950.1:

- Functional insulation.



Wire insulation & RoHS status not affected by wire color.
Wire insulation color may vary depending on availability.

DETAILS SUBJECT TO CHANGE

REV.	DATE	Packaging Specifications Method: Tape & Reel PKG-0757 www.we-online.com/midcom	CONVENTION PLACEMENT
6B	2/15		
6A	9/14	SEE REVISION SHEET FOR REVISION LEVEL	

Tolerances unless otherwise specified:
Angles: ±1°
Fractions: ±1/64
Decimals: ±.005 [.13]
Footprint: ±.005 [.13]

This drawing is dual dimensioned. Dimensions in brackets are in millimeters.

DRAWING TITLE
TRANSFORMER

eiSos p/n: 750314442

PART NO.
750314442

compliant RoHS

SPECIFICATION SHEET 1 OF 1