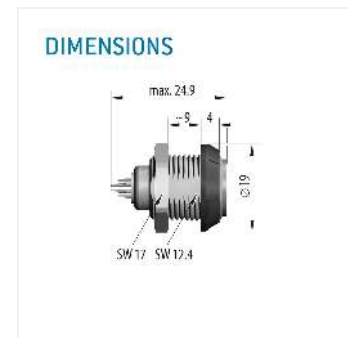
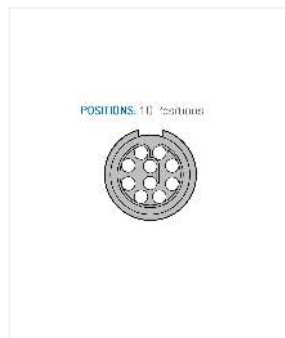
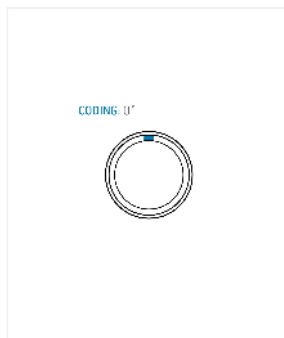


**General information**

Part number	G51M07-P10QC00-0070
Termination	pcb
Size	1
Locking principle	break , push
Coding	0_key



**Contact insert description**

Number of contacts	10
Contact type	sockets
Contact diameter	05mm
Insulator material	peek
Termination	pcb
Termination diameter	05mm

reverse\_gender\_on\_request

**Technical information**

Max. creepage and air clearance distance	05_mm	iec_60601_1mopp_2moop
Nominal current single contact	04_a	iec_60512_5_2
Nominal current insert	2,2 A	vde_0298_4
Test voltage	135_kv_dc	sae_13441

safety\_text  
 iec\_60601\_receptacle

## Mechanical and environmental data

Degree of protection*	ip50
Operating temperature	50_120_c
Mating cycles	5000

mated\_unmated

## Insulator materials MEDI-SNAP®

psu\_peek

## Material and surface treatments

Housing	psu_gray
Color option	gray
Contact	cu_alloy_gold

safety\_text\_2  
ul\_text  
illustrative\_text