

4

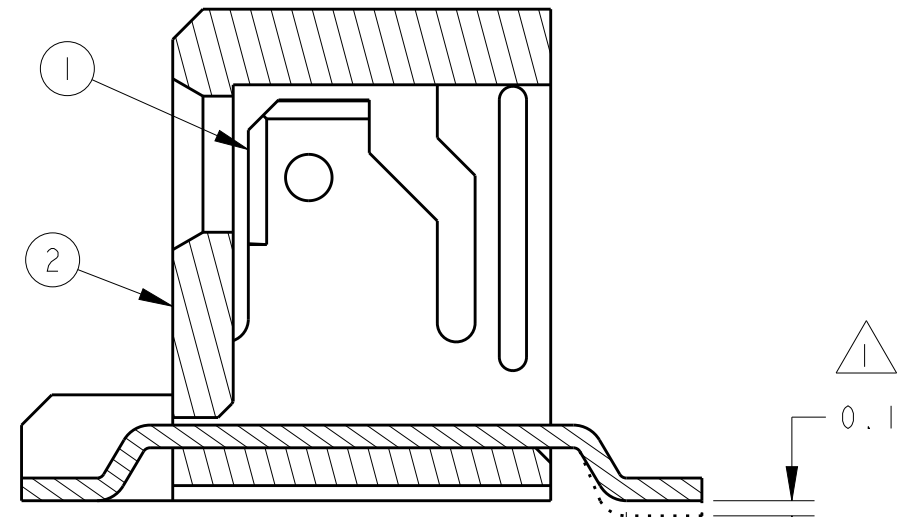
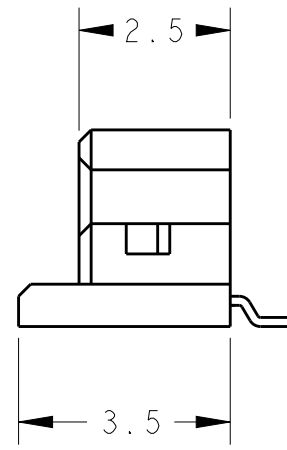
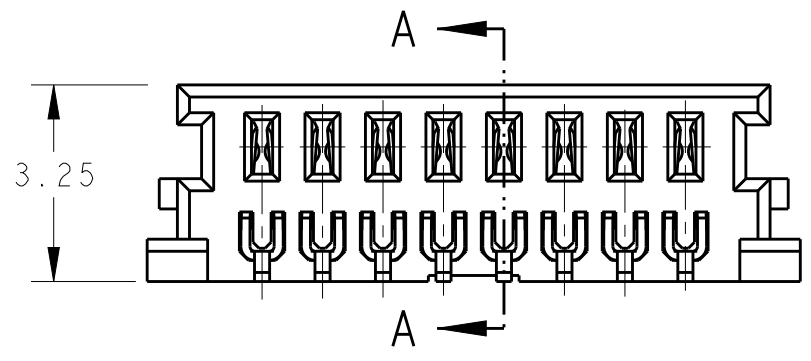
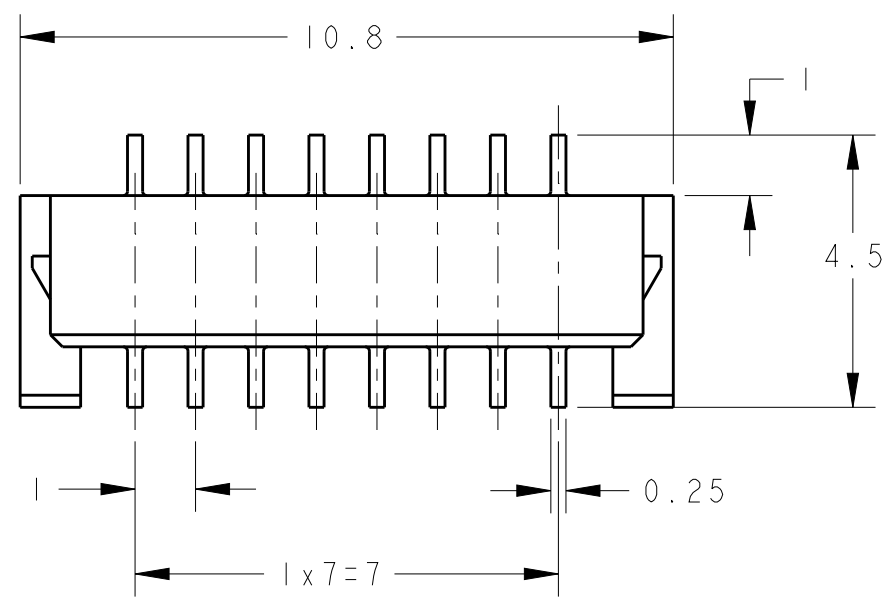
3

2

1

THIS DRAWING IS UNPUBLISHED. RELEASED FOR PUBLICATION 2003  
 © COPYRIGHT 2003 BY - ALL RIGHTS RESERVED.

REVISIONS					
変更					
P	LTR	DESCRIPTION	DATE	DWN	APVD
0		RELEASED	FJD0-0147-03	09MAY2003	Y.K S.M
A		REVISED	FJD0-0334-03	30SEP2003	Y.K S.M
B		REVISED		29JUL2011	H.U N.Y
C		REVISED, ECR-16-015703		06DEC2016	Y.O N.Y

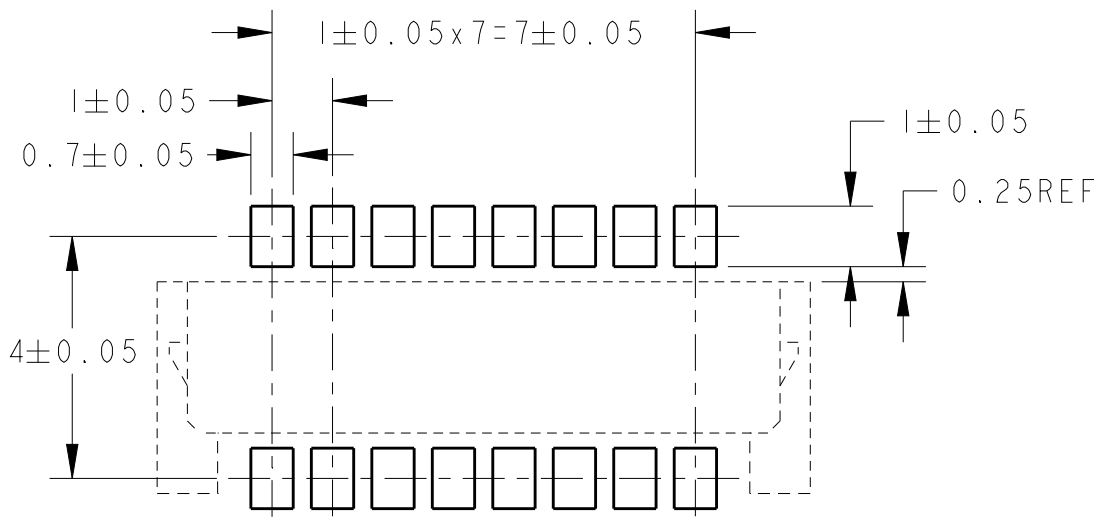


A - A  
SCALE 20:1

注記  
△ タインフラット部のあばれ許容値


NOTE  
△ FLATNESS OF TINE SOLDER SURFACE

POLYAMIDE 9T, 94V-0 (BLACK)	HDR HSG (8P)	2
Phoshor Bronze, FINISH UNDER Ni 1.27μm MIN, SURFACE Au 0.2μm MIN	REC CONTACT	1
MATERIAL AND FINISH		ITEM NO.
PARTS LIST		



推奨基板寸法  
RECOMMENDED P.C.BOARD DIM.

1674000-2  
PART NUMBER

THIS DRAWING IS A CONTROLLED DOCUMENT.		DWN Y. KATO 09MAY2003	 TE Connectivity	
DIMENSIONS: 単位: 概 mm		CHK S. MANABE 09MAY2003		
TOLERANCES UNLESS OTHERWISE SPECIFIED: 一般公差 ±0.25		APVD S. MANABE 09MAY2003	NAME 名称 HDR ASSY	
0 PLC ±		PRODUCT SPEC 製品規格 108-5865	mini VP 1.0mm W to B CONN.	
1 PLC ±0.5		APPLICATION SPEC 取付適用規格 -	SIZE A3	CAGE CODE 00779
2 PLC ±0.13		WEIGHT -	DRAWING NO 番号 C=1674000	RESTRICTED TO -
3 PLC ±0.013		CUSTOMER DRAWING	SCALE 尺度 8:1	SHEET 1 OF 1
4 PLC ±0.000J ±3				REV C
ANGLES ±3				
MATERIAL 材料 SEE TABLE	FINISH 仕上 SEE TABLE			