

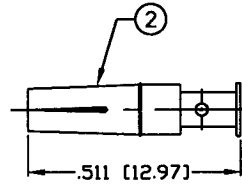
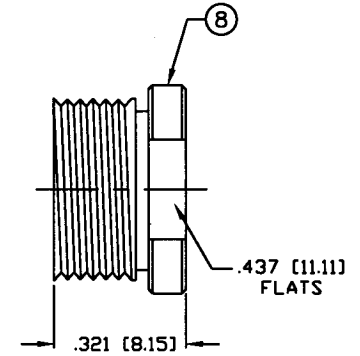
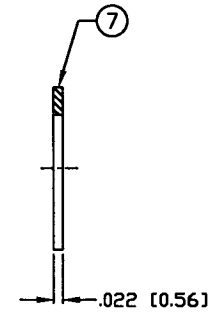
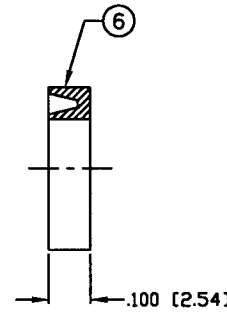
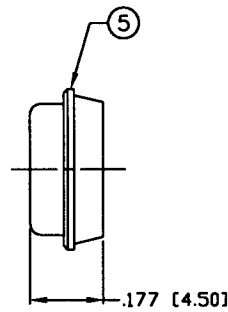
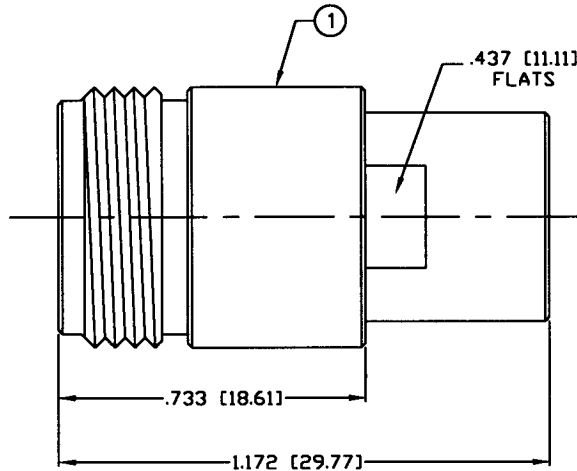
THIS DRAWING CONTAINS INFORMATION PROPRIETARY TO RF INDUSTRIES.
 ANY UNAUTHORIZED USE OF THIS DRAWING IS EXPRESSLY PROHIBITED
 WITHOUT WRITTEN PERMISSION FROM RF INDUSTRIES.
 ANY VIOLATION IS PUNISHABLE UNDER U.S. COPYRIGHT LAWS.

ALL DIMENSIONS ARE REFERENCE ONLY

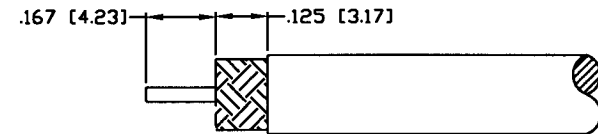
PART NO.

RFN-1026-1X

| REV | DESCRIPTION | DWN | DATE | APPROVED |
|-----|--|-----|---------|----------|
| A4 | ADD CLAMP DIMENSIONS | KMM | 10/5/92 | J. BENZ |
| B | ADD DIELECTRIC AND PRESS FIT SLEEVE DIMS | KMM | 12/8/94 | R. RICE |
| C | ADD WRENCH DIMENSIONS TO BACK NUT #8 | KMM | 9/18/97 | R. RICE |
| D | CHANGE SPECS, FORMAT & DWG # 7741 | GGG | 3/7/02 | JDMc |



RECOMMENDED CRIMP DIE: .068



RECOMMENDED STRIPPING DIMENSIONS

SPECIFICATIONS:

IMPEDANCE: 50 Ohms
 FREQUENCY RANGE: 0-11 GHz
 VSWR: 1.3 Max.
 INSERTION LOSS: .06 dB Max. X $\sqrt{\text{GHz}}$
 WORKING VOLTAGE: 1k V rms @ sea level
 TEMPERATURE RANGE: -65°C TO 85°C
 INSULATION RESISTANCE: 5k M Ohms min.
 FOR RG-8/X, BELDEN 9258, MAXRAD MBX-100 &
 MBX-1000, MICRO 8/U, REMEE 1600, SAXTON 8315 &
 TIMES LMR-240 & LMR-240 ULTRAFLEX CABLE

| | | | | | | |
|----|-------------|-----|--------|--------------------|-----------|------|
| 1 | BODY | 1 | BRASS | SILVER, 80 μ " | 000713 | |
| 2 | CONTACT | 1 | BRASS | GOLD, 3 μ " | | |
| 3 | DIELECTRIC | 1 | PTFE | --- | | |
| 4 | GROUND RING | 1 | BRASS | SILVER, 80 μ " | | |
| 5 | CLAMP | 1 | BRASS | SILVER, 80 μ " | | |
| 6 | GASKET | 1 | RUBBER | --- | | |
| 7 | WASHER | 1 | BRASS | SILVER, 80 μ " | | |
| 8 | BACK NUT | 1 | BRASS | SILVER, 80 μ " | | |
| 9 | | | | | | |
| 10 | | | | | | |
| 11 | | | | | | |
| 12 | | | | | | |
| 13 | | | | | | |
| 14 | | | | | | |
| # | DESCRIPTION | QTY | MATRL | FINISH | APPROVALS | DATE |

UNLESS OTHERWISE SPECIFIED:

1. REMOVE ALL BURRS
2. BREAK ALL CORNERS & EDGES .005 R. MAX.
3. CHAMFER 1ST & LAST THREADS 45°
4. SURFACE ROUGHNESS 63 FINISH MIL-STD-10
5. DIAMETERS ON COMMON CENTERS TO BE CONCENTRIC WITHIN .002 T.I.R.
6. ALL DIMENSIONS ARE AFTER PLATING.

DIMENSIONS ARE IN INCHES AND [MILLIMETERS]

UNLESS OTHERWISE NOTED TOLERANCES ARE:

| DECIMALS | DIAMETER |
|-----------------|-----------------|
| .xxx±.003 [.08] | .xxx±.001 [.03] |
| .xx±.005 [.13] | .xx±.003 [.08] |

RF connectors
 DIVISION OF RF INDUSTRIES, LTD.

7610 MIRAMAR RD
 SAN DIEGO, CA 92126
 (858) 549-6340
 (858) 549-6345 FAX

N JACK CLAMP

| | | | |
|------------|------------------|------------------------|--------------|
| SIZE A | CABLE GROUP X | DWG NO. RFN-1026-1X | REV D |
| SCALE: NTS | | CAD FILE OUTLINE | SHEET 1 OF 1 |