

MATERIALS & SPECIFICATIONS

PART NO.	A22039-001	REV	ECO	DATE	APP
		C	98556	05-18-12	TLM

INSULATOR:
LIQUID CRYSTAL POLYMER (LCP) PER ASTM D5138.

CONTACT:
COPPER ALLOY PER MIL-DTL-83513. GOLD PLATE PER ASTM B488,
(HARD GOLD) TYPE II CODE C, CLASS 1.27.

TERMINATION:
COPPER ALLOY PER MIL-DTL-83513 GOLD PLATED PER ASTM B488,
(HARD GOLD) TYPE II CODE C CLASS 1.27.

LATCH BOX:
BERYLLIUM COPPER PER ASTM B194 NICKEL PLATE PER AMS-C-26074.

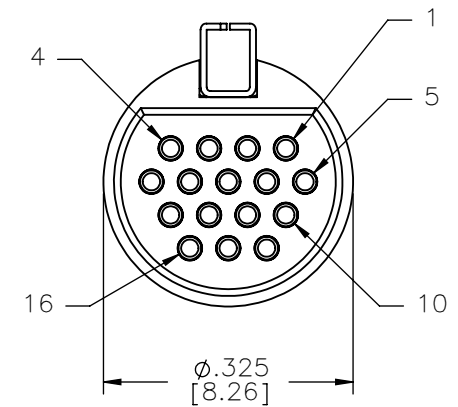
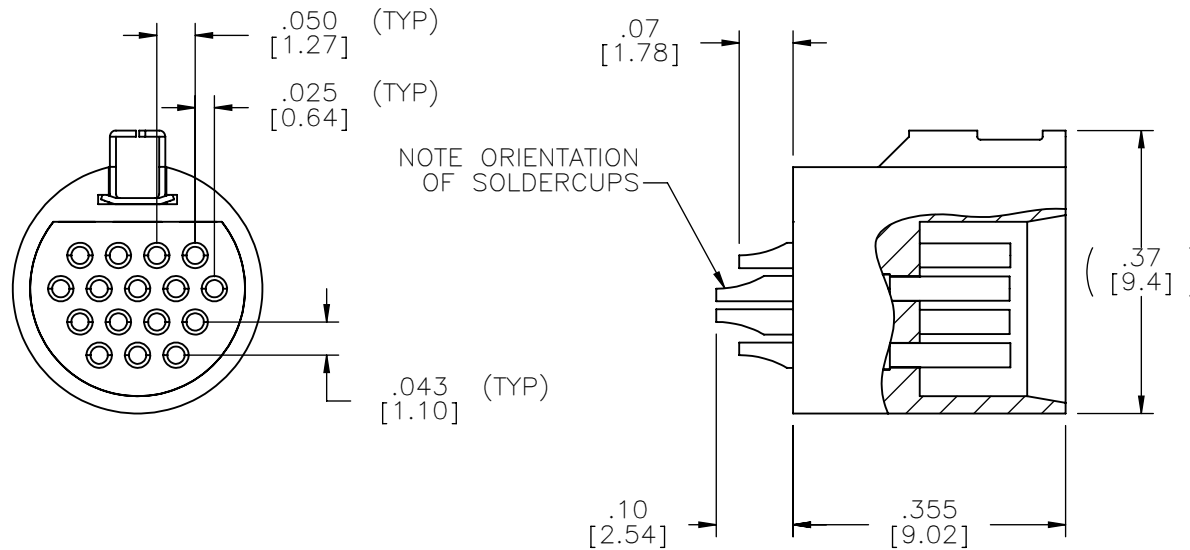
CURRENT CAPACITY:
3 AMP MAX.

CONTACT RESISTANCE:
26 MILLIOHMS (65mV) MAX @ 2.5 AMPS.

PERFORMANCE:
PRODUCT FAMILY TESTED TO AND PASSED THE PERFORMANCE
SPECIFICATIONS OF TABLE VII OF MIL-DTL-83513.



ACTUAL SIZE



RoHS

MGT'S	SHEET	THIRD ANGLE	THIS DRAWING CONTAINS CONFIDENTIAL AND PROPRIETARY INFORMATION WHICH IS THE PROPERTY OF OMNETICS CONNECTOR CORP. THIS DOCUMENT MAY NOT, IN WHOLE OR IN PART, BE DUPLICATED, OR DISCLOSED FOR ANY PURPOSE, WITHOUT WRITTEN PERMISSION FROM OMNETICS CONNECTOR CORP.		OMNETICS CONNECTOR CORPORATION 7260 COMMERCE CIRCLE EAST MINNEAPOLIS, MN 55432 WWW.OMNETICS.COM	CAGE CODE 61873	
		UNLESS OTHERWISE NOTED	DFTM. TLM	DATE 04-11-08		TITLE: (16) SOCKET FEMALE MICRO CIRCULAR CONNECTOR /W LATCH	DWG NO. A22039-001
		DIMENSIONS IN INCHES	CHK'D.	DATE		SCALE: 4:1	REV C
		2 PL DEC ± .01	APP'D.	DATE			
		3 PL DEC ± .005					
		4 PL DEC ± .0005					
		ANGLES ± 1°					