

# WIRING DIAGRAM

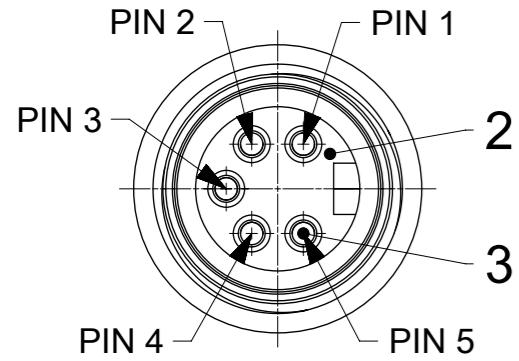
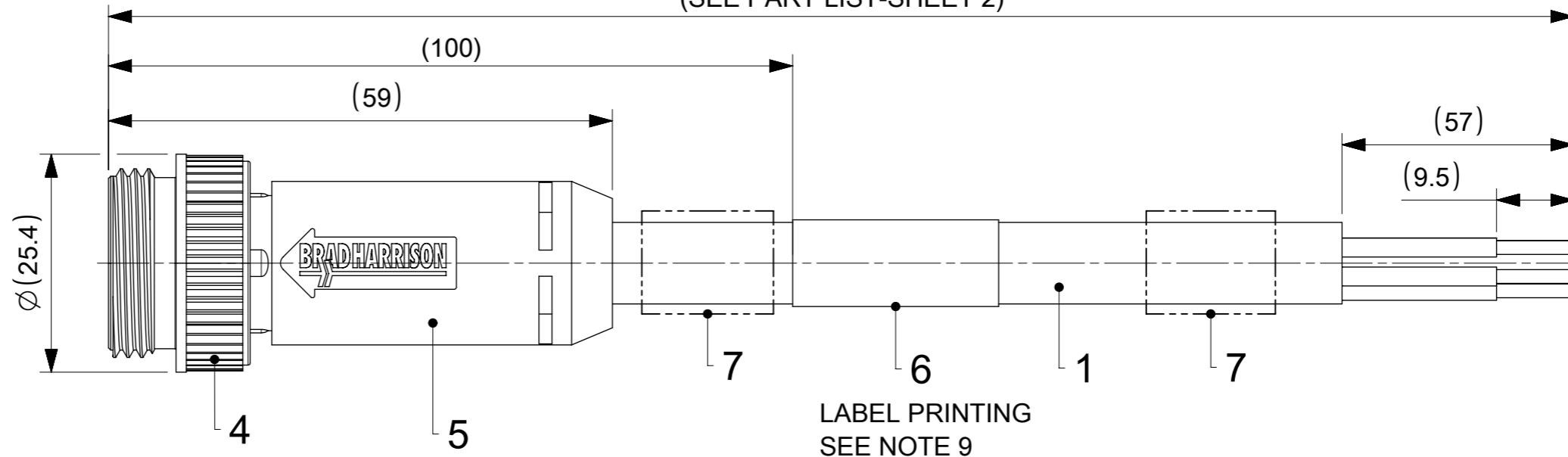


# PART NUMBER MATRIX

**1 0 5 0 0 6 B 3 5 M X X X H**

10 = Single ended cordset A-SIZE	Poles: 5 = 5 Poles	Heads style: 006 = Male straight	Cable: B35 = 1.50mm <sup>2</sup> TPU Black	Units: M = Meter	Length Examples: 005 = 0.5 m 010 = 1 m 020 = 2 m 050 = 5 m 100 = 10 m 150 = 15 m 200 = 20 m	2x I/D Carriers
----------------------------------	--------------------	----------------------------------	--	------------------	--	-----------------

FINISHED LENGTH  
(SEE PART LIST-SHEET 2)



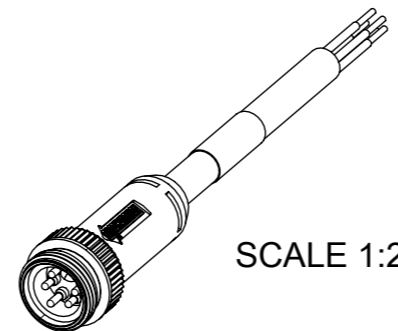
VIEW FROM THE FRONT SIDE

## NOTES:

- MATERIAL: SEE BILL OF MATERIALS
- FINISHES: SEE BILL OF MATERIALS
- ELECTRICAL SPECIFICATIONS  
VOLTAGE RATING: 600 V  
CURRENT RATING: 10 A
- TEMPERATURE RATING:  
STATIC: -40 °C TO 90 °C  
DYNAMIC: -25 °C TO 80 °C
- PROTECTION: IP67 (WHEN MATED)
- UL CERTIFICATION: UL LISTED, FILE NO. E152210
- IF "H" IN MATRIX - 2xID-CARRIER ASSEMBLED ON HARNESS FROM BOTH SIDES
- PART LIST - SEE SHEET 2
- LABEL PRINTING ACC. STANDARD LABEL INSTRUCTION (SEE SHEET 2)

## BILL OF MATERIALS

ITEM	QTY.	DESCRIPTION	MATERIAL	FINISH
1	-	CABLE 16-5 GRAY TPU WELD SLAG RESIST	TPU	-
2	1	MC 5P MALE INSERT	ARNITEL	GRAY
3	5	PIN CONTACT	BRASS	GOLD PLATED
4	1	COUPLING NUT	BRASS	-
5	1	MOULDING MATERIAL BLACK	PUR	-
6	1	WRAP LABEL BLACK/YELLOW	MYLAR	-
7	2	I/D CARRIER	PVC	-

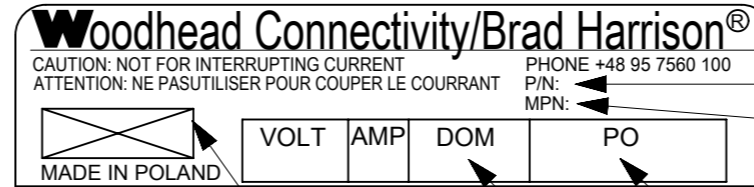


FUNCTIONAL SYMBOLS ▽A = 0 ▽E = 0 ▽F = 0	THIS DRAWING CONTAINS INFORMATION THAT IS PROPRIETARY TO MOLEX ELECTRONIC TECHNOLOGIES, LLC AND SHOULD NOT BE USED WITHOUT WRITTEN PERMISSION	CURRENT REV DESC: NOTES UPDATED, LABEL PRINTING ADDED		<b>molex</b>	
	GENERAL TOLERANCES (UNLESS SPECIFIED) ANGULAR TOL ± 1.0°	4 PLACES ±	3 PLACES ±		
DIVISIONAL SYMBOLS	EC NO: 747270 DRWN: RSCHIEBER CHK'D: RSILLER APPR: RSILLER	2023/04/17 2023/04/27 2023/04/27	PRODUCT CUSTOMER DRAWING		DOCUMENT NUMBER
1 PLACE ± 0.3 0 PLACES ± 0.5	INITIAL REVISION: DRWN: GMAJCHER APPR: MIWASIECZKO	2017/08/03 2017/08/04	1300068159		DOC TYPE DOC PART REVISION PSD 000 B3
DRAFT WHERE APPLICABLE MUST REMAIN WITHIN DIMENSIONS	THIRD ANGLE PROJECTION	DRAWING	SERIES	MATERIAL NUMBER	CUSTOMER
		A3-SIZE	130006	SEE SHEET 2	GENERAL MARKET
					SHEET NUMBER 1 OF 2

PART LIST

MOLEX PN	ENGINEERING No.	FINISHED LENGTH
1300068159	105006B35M020	2000 +89
1300068160	105006B35M050	5000 +165
1300068161	105006B35M100	10000 +317
1300068162	105006B35M200	20000 +622
1300068163	105006B35M300	30000 +622
1300068210	105006B35M010H	1000 +56
1300068211	105006B35M020H	2000 +89
1300068212	105006B35M050H	5000 +165
1300068213	105006B35M100H	10000 +317
1300068214	105006B35M200H	20000 +622
1300068215	105006B35M300H	30000 +622
1300068216	105006B35M350H	35000 +700
1300068275	105006B35M010	1000 +56
1300068276	105006B35M030	3000 +89

LABEL PRINTING



ENGINEERING NO.  
MOLEX PN

PO NO.  
PRODUCT. DATE

CERTIFICATION SYMBOLS

FUNCTIONAL SYMBOLS	THIS DRAWING CONTAINS INFORMATION THAT IS PROPRIETARY TO MOLEX ELECTRONIC TECHNOLOGIES, LLC AND SHOULD NOT BE USED WITHOUT WRITTEN PERMISSION		
	DIMENSION UNITS: <b>mm</b> SCALE: <b>1:1</b>	CURRENT REV DESC: NOTES UPDATED, LABEL PRINTING ADDED	
DIVISIONAL SYMBOLS	GENERAL TOLERANCES (UNLESS SPECIFIED)		
	ANGULAR TOL ± 1.0° 4 PLACES ± 3 PLACES ± 2 PLACES ± 0.05 1 PLACE ± 0.3 0 PLACES ± 0.5	EC NO: 747270 DRWN: RSCHIEBER 2023/04/17 CHK'D: RSILLER 2023/04/27 APPR: RSILLER 2023/04/27	
INITIAL REVISION:		DOCUMENT NUMBER	DOC TYPE   DOC PART   REVISION
DRWN: GMAJCHER 2017/08/03 APPR: MIWASIECZKO 2017/08/04		<b>1300068159</b>	PSD   000   B3
DRAFT WHERE APPLICABLE MUST REMAIN WITHIN DIMENSIONS		THIRD ANGLE PROJECTION	DRAWING   SERIES   MATERIAL NUMBER   CUSTOMER   SHEET NUMBER
			A3-SIZE   130006   SEE SHEET 2   GENERAL MARKET   2 OF 2

DOCUMENT STATUS	P1	RELEASE DATE	2023/04/27	12:11:53
-----------------	----	--------------	------------	----------

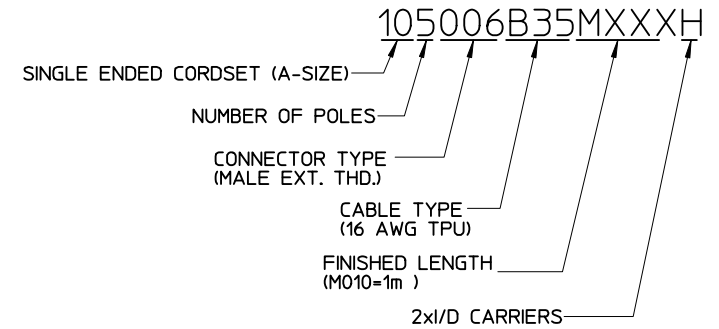
CABLE SPECIFICATION:

JACKET:  
 COLOR: GRAY  
 MATERIAL: TPU BASED COMPOUND  
 DIAMETER: 8.50±0.30mm  
 CONDUCTOR:  
 INSULATION DIAMETER: 2.40mm  
 INSULATION MATERIAL: TPE  
 RATING:  
 TEMPERATURE RATING (STATIC): -40°C/+90°C  
 VOLTAGE: 1000V (450/750)

CHART 1

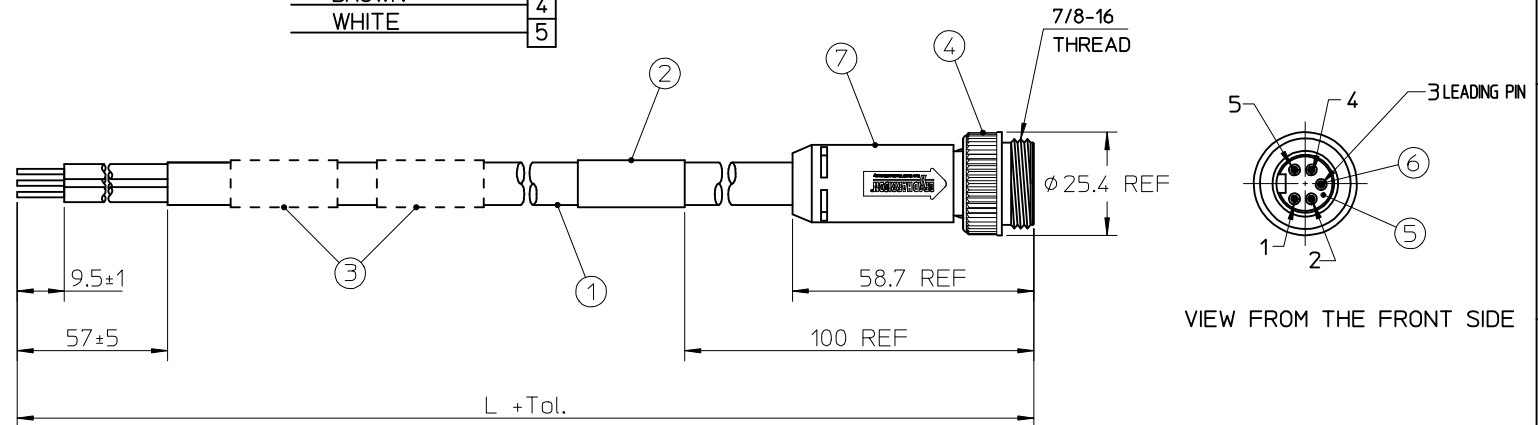
MOLEX PN	ENGINEERING NO	L +Tol. [mm]
1300068210	105006B35M010H	1000 +56
1300068211	105006B35M020H	2000 +89
1300068212	105006B35M050H	5000 +165
1300068213	105006B35M100H	10000 +317
1300068214	105006B35M200H	20000 +610
1300068215	105006B35M300H	30000 +610
1300068216	105006B35M350H	35000 +700

MATRIX



WIRING DIAGRAM

BLACK	1
BLUE	2
GREEN/YELLOW	3
BROWN	4
WHITE	5



BILL OF MATERIALS:

ITEM	QTY.	DESCRIPTION	MATERIAL	FINISH
7	-	MOLDING MATERIAL	TPU	BLACK
6	5	CONTACT MALE	BRASS	PLATE PER S-243 OR S-242
5	1	INSERT MALE A-SIZE	PUR	BLACK
4	1	COUPLING NUT MALE	ZINC ALLOY	ELECTROPHORETIC BLACK
3	2	IND CARRIER	-	-
2	1	LABEL	-	-
1	-	CABLE 5x16AWG	TPU	GRAY

ORIGINAL RELEASE EC NO: IPG2015-2210 DRWN:FGAIK 2015/07/07 CHKD:APAWLAK 2015/07/07 APPR:MIWASIECZKO 2015/07/15	QUALITY SYMBOLS	GENERAL TOLERANCES (UNLESS SPECIFIED)	DIMENSION STYLE	SCALE	DESIGN UNITS	THIRD ANGLE PROJECTION
	$\nabla = 0$ $\square = 0$	mm    INCH 4 PLACES ± --- ± --- 3 PLACES ± --- ± --- 2 PLACES ± --- ± --- 1 PLACE ± --- ± --- 0 PLACE ± --- ± ---	MM ONLY	---	METRIC	
		ANGULAR ± 1 °	DRAWN BY	DATE	TITLE	
		DRAFT WHERE APPLICABLE MUST REMAIN WITHIN DIMENSIONS	FGAIK	2015/07/07	CSE MC 5P MA STR WSOR XXM SE ID	
		SEE CHART 1	APAWLAK	2015/07/07		
			MIWASIECZKO	2015/07/15		
			MATERIAL NO.	DOCUMENT NO.		
				SD-130006-060		
			SIZE	THIS DRAWING CONTAINS INFORMATION THAT IS PROPRIETARY TO MOLEX INCORPORATED AND SHOULD NOT BE USED WITHOUT WRITTEN PERMISSION		
			A3			