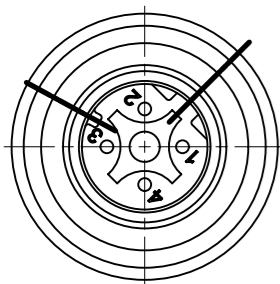


M12 4 POLE MALE



VIEW FROM THE FRONT SIDE

| Pin | Wire color |
|-----|------------|
| 1 | WH/OG |
| 2 | WH/GN |
| 3 | OG |
| 4 | GN |

PART No. MATRIX

E W W A 0 6 2 1 5 M X X X

E=ETHERNET

HEADS:
W=M12 4-Pole Ultra Lock D-Coding
W=M12 4-Pole Ultra Lock D-Coding

HEADS STYLE:
062=MALE STR / MALE RA

UNITS:
M=METER
T=10x METER

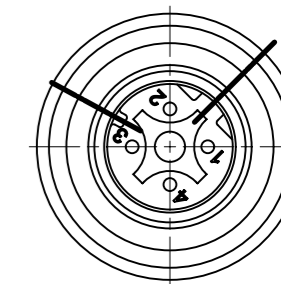
WIRING TYPE:
A=4 Pole (STRAIGHT WIRED)

CABLE TYPE

LENGTH EXAMPLES:
005=0.5m
010=1m
150=15m

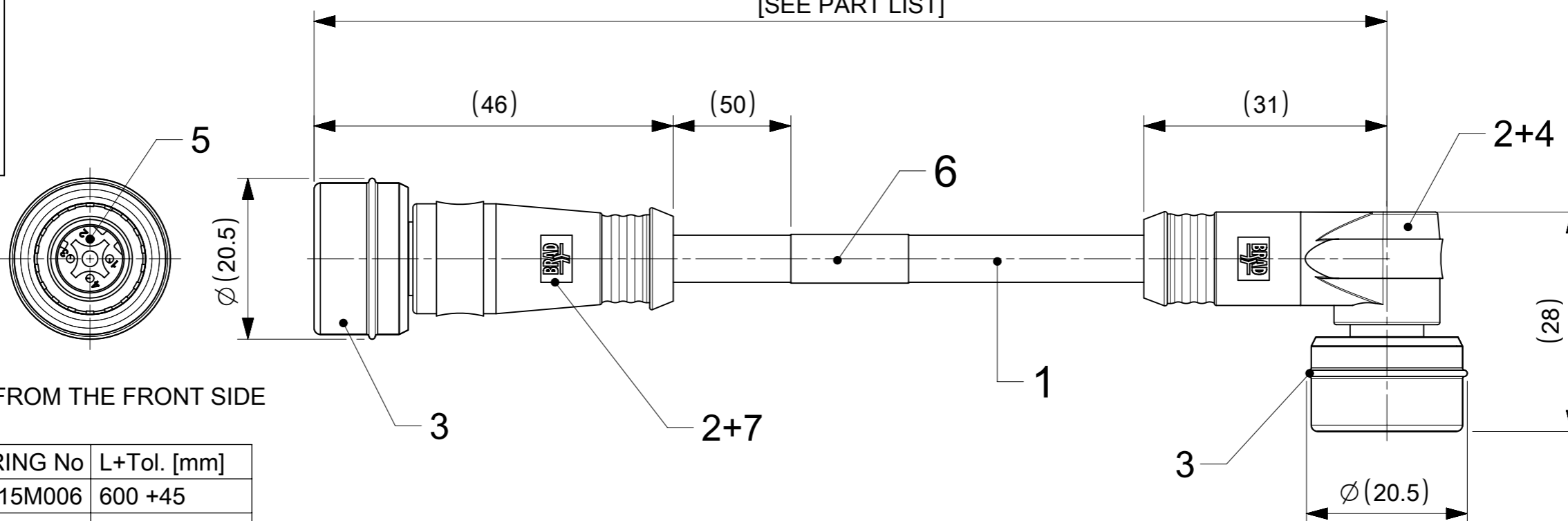
L+Tol.
[SEE PART LIST]

M12 4 POLE MALE

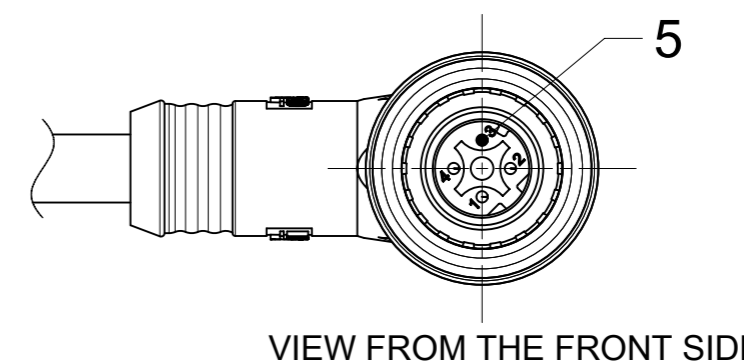


VIEW FROM THE FRONT SIDE

| Pin | Wire color |
|-----|------------|
| 1 | WH/OG |
| 2 | WH/GN |
| 3 | OG |
| 4 | GN |



VIEW FROM THE FRONT SIDE



VIEW FROM THE FRONT SIDE

PART LIST

| MOLEX PN | ENGINEERING No | L+Tol. [mm] |
|------------|----------------|-------------|
| 1201080049 | EWWA06215M006 | 600 +45 |
| 1201080050 | EWWA06215M010 | 1000+56 |
| 1201080051 | EWWA06215M020 | 2000 +89 |
| 1201080052 | EWWA06215M050 | 5000+165 |
| 1201080053 | EWWA06215M100 | 10000+317 |
| 1201080054 | EWWA06215M150 | 15000+622 |
| 1201080055 | EWWA06215M300 | 30000+622 |
| 1201088209 | EWWA06215M200 | 20000+622 |
| 1201088210 | EWWA06215M400 | 40000+800 |
| 1201088211 | EWWA06215M600 | 60000+1200 |
| 1201088212 | EWWA06215M800 | 80000+1600 |
| 1201088213 | EWWA06215T100 | 100000+2000 |

BOM

| ITEM | QTY. | DESCRIPTION | MATERIAL | FINISH / COLOR |
|------|------|--------------------------|----------|---------------------|
| 7 | 1 | M12S-SLEEVE STRAIGHT | BRASS | Ni-PLATED |
| 6 | 1 | WRAP LABEL | VINYL | YELLOW |
| 5 | 8 | CONTACT MALE | BRASS | GOLD OVER Ni-PLATED |
| 4 | 1 | SHIELD CLOSURE CAP 90 | BRASS | Ni-PLATED |
| 3 | 2 | ULTRALOCK ASSEMBLY MALE | - | - |
| 2 | - | MOULDING MATERIAL | TPU | BLACK |
| 1 | - | CABLE SHIELDED PVC CAT5E | PVC | TEAL |

| | | | | |
|-----------------|----|--------------|------------|----------|
| DOCUMENT STATUS | P1 | RELEASE DATE | 2022/04/22 | 06:35:56 |
|-----------------|----|--------------|------------|----------|

NOTES :

ACC. TO CAT5e ETHERNET STD.
MAX. VOLTAGE : 30V
MAX. CURRENT : 1.5A
IP RATING : IP67
TEMPERATURE RANGE : -20°C TO +75°C

| | | | | | | | | | | | | | | | | | | | | | | | | | | | | | | | | | | |
|--|--|------------------------|---|--------------|-----------------|---|---------------------------------------|------------|-------------|------------|---|-----------------|------------|----------|----------|----------|---------|----------|----------|-------|--|--|--------|--------|-------|-----|--------|---------|-------|---------|---|------|------------|------|
| FUNCTIONAL SYMBOLS | THIS DRAWING CONTAINS INFORMATION THAT IS PROPRIETARY TO MOLEX ELECTRONIC TECHNOLOGIES, LLC AND SHOULD NOT BE USED WITHOUT WRITTEN PERMISSION | CURRENT REV DESC: | | molex | | | | | | | | | | | | | | | | | | | | | | | | | | | | | | |
| | <table border="1"> <tr><td>FUNCTIONAL SYMBOLS</td><td>THIS DRAWING CONTAINS INFORMATION THAT IS PROPRIETARY TO MOLEX ELECTRONIC TECHNOLOGIES, LLC AND SHOULD NOT BE USED WITHOUT WRITTEN PERMISSION</td></tr> <tr><td>mm</td><td>3:2</td></tr> <tr><td>GENERAL TOLERANCES (UNLESS SPECIFIED)</td><td></td></tr> <tr><td>ANGULAR TOL</td><td>± 1.0°</td></tr> <tr><td>4 PLACES</td><td>±</td></tr> <tr><td>3 PLACES</td><td>±</td></tr> <tr><td>2 PLACES</td><td>± 0.05</td></tr> <tr><td>1 PLACE</td><td>± 0.3</td></tr> <tr><td>0 PLACES</td><td>± 0.5</td></tr> </table> | FUNCTIONAL SYMBOLS | THIS DRAWING CONTAINS INFORMATION THAT IS PROPRIETARY TO MOLEX ELECTRONIC TECHNOLOGIES, LLC AND SHOULD NOT BE USED WITHOUT WRITTEN PERMISSION | | mm | 3:2 | GENERAL TOLERANCES (UNLESS SPECIFIED) | | ANGULAR TOL | ± 1.0° | 4 PLACES | ± | 3 PLACES | ± | 2 PLACES | ± 0.05 | 1 PLACE | ± 0.3 | 0 PLACES | ± 0.5 | <table border="1"> <tr><td>EC NO:</td><td>703538</td></tr> <tr><td>DRWN:</td><td>SSM</td></tr> <tr><td>CHK'D:</td><td>RSILLER</td></tr> <tr><td>APPR:</td><td>RSILLER</td></tr> </table> | | EC NO: | 703538 | DRWN: | SSM | CHK'D: | RSILLER | APPR: | RSILLER | <table border="1"> <tr><td>DATE</td><td>2022/03/29</td></tr> <tr><td>DATE</td><td>2022/04/22</td></tr> </table> | DATE | 2022/03/29 | DATE |
| FUNCTIONAL SYMBOLS | THIS DRAWING CONTAINS INFORMATION THAT IS PROPRIETARY TO MOLEX ELECTRONIC TECHNOLOGIES, LLC AND SHOULD NOT BE USED WITHOUT WRITTEN PERMISSION | | | | | | | | | | | | | | | | | | | | | | | | | | | | | | | | | |
| mm | 3:2 | | | | | | | | | | | | | | | | | | | | | | | | | | | | | | | | | |
| GENERAL TOLERANCES (UNLESS SPECIFIED) | | | | | | | | | | | | | | | | | | | | | | | | | | | | | | | | | | |
| ANGULAR TOL | ± 1.0° | | | | | | | | | | | | | | | | | | | | | | | | | | | | | | | | | |
| 4 PLACES | ± | | | | | | | | | | | | | | | | | | | | | | | | | | | | | | | | | |
| 3 PLACES | ± | | | | | | | | | | | | | | | | | | | | | | | | | | | | | | | | | |
| 2 PLACES | ± 0.05 | | | | | | | | | | | | | | | | | | | | | | | | | | | | | | | | | |
| 1 PLACE | ± 0.3 | | | | | | | | | | | | | | | | | | | | | | | | | | | | | | | | | |
| 0 PLACES | ± 0.5 | | | | | | | | | | | | | | | | | | | | | | | | | | | | | | | | | |
| EC NO: | 703538 | | | | | | | | | | | | | | | | | | | | | | | | | | | | | | | | | |
| DRWN: | SSM | | | | | | | | | | | | | | | | | | | | | | | | | | | | | | | | | |
| CHK'D: | RSILLER | | | | | | | | | | | | | | | | | | | | | | | | | | | | | | | | | |
| APPR: | RSILLER | | | | | | | | | | | | | | | | | | | | | | | | | | | | | | | | | |
| DATE | 2022/03/29 | | | | | | | | | | | | | | | | | | | | | | | | | | | | | | | | | |
| DATE | 2022/04/22 | | | | | | | | | | | | | | | | | | | | | | | | | | | | | | | | | |
| DIVISIONAL SYMBOLS | <table border="1"> <tr><td>DRWN:</td><td>SSM</td></tr> <tr><td>APPR:</td><td>RSILLER</td></tr> </table> | DRWN: | SSM | APPR: | RSILLER | <table border="1"> <tr><td>DATE</td><td>2022/03/29</td></tr> <tr><td>DATE</td><td>2022/04/22</td></tr> </table> | DATE | 2022/03/29 | DATE | 2022/04/22 | <table border="1"> <tr><td>DOCUMENT NUMBER</td><td>1201080049</td></tr> <tr><td>DOC TYPE</td><td>PSD</td></tr> <tr><td>DOC PART</td><td>000</td></tr> <tr><td>REVISION</td><td>A</td></tr> </table> | DOCUMENT NUMBER | 1201080049 | DOC TYPE | PSD | DOC PART | 000 | REVISION | A | | | | | | | | | | | | | | | |
| DRWN: | SSM | | | | | | | | | | | | | | | | | | | | | | | | | | | | | | | | | |
| APPR: | RSILLER | | | | | | | | | | | | | | | | | | | | | | | | | | | | | | | | | |
| DATE | 2022/03/29 | | | | | | | | | | | | | | | | | | | | | | | | | | | | | | | | | |
| DATE | 2022/04/22 | | | | | | | | | | | | | | | | | | | | | | | | | | | | | | | | | |
| DOCUMENT NUMBER | 1201080049 | | | | | | | | | | | | | | | | | | | | | | | | | | | | | | | | | |
| DOC TYPE | PSD | | | | | | | | | | | | | | | | | | | | | | | | | | | | | | | | | |
| DOC PART | 000 | | | | | | | | | | | | | | | | | | | | | | | | | | | | | | | | | |
| REVISION | A | | | | | | | | | | | | | | | | | | | | | | | | | | | | | | | | | |
| DRAFT WHERE APPLICABLE MUST REMAIN WITHIN DIMENSIONS | | THIRD ANGLE PROJECTION | DRAWING | SERIES | MATERIAL NUMBER | CUSTOMER | SHEET NUMBER | | | | | | | | | | | | | | | | | | | | | | | | | | | |
| | | | A3-SIZE | 120108 | SEE PART LIST | GENERAK MARKET | 1 OF 1 | | | | | | | | | | | | | | | | | | | | | | | | | | | |

6

5

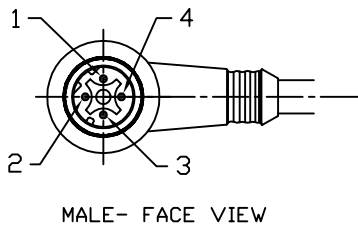
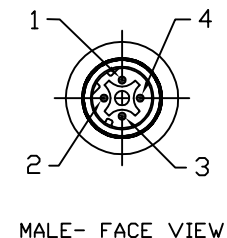
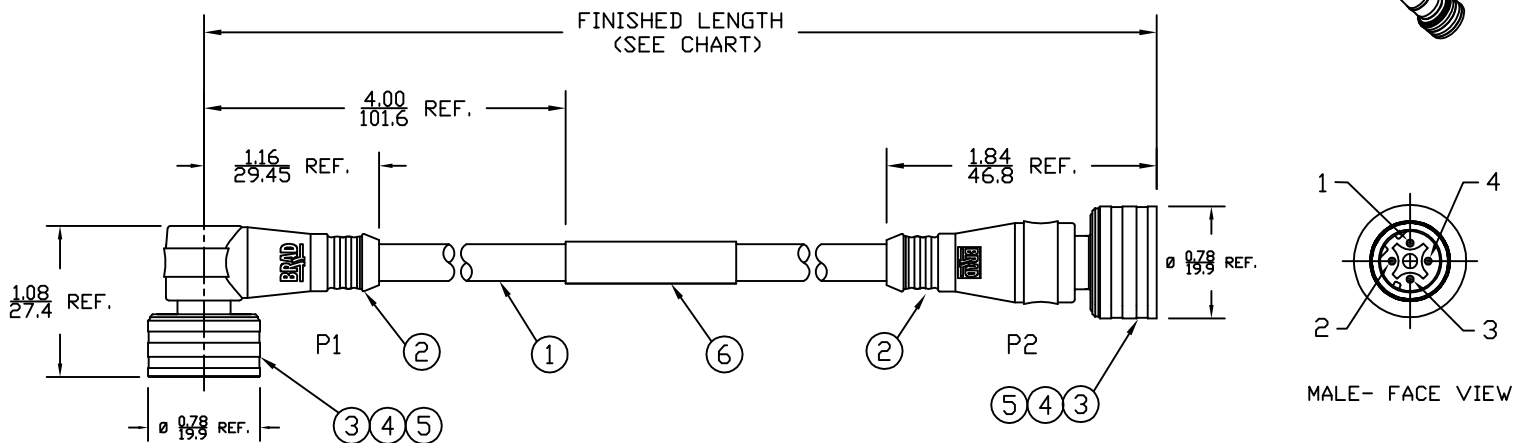
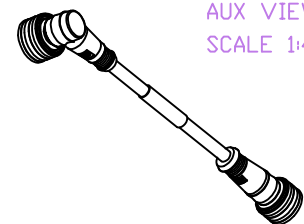
4

3

2

1

| PART NUMBER | ENGINEERING NO. | LENGTH ± TOLERANCE |
|-------------|-----------------|--------------------------------------|
| 1201080050 | EWWA06215M010 | 3' 3" +2.19"/-0" [1M +55.6/-0 mm] |
| 1201080052 | EWWA06215M050 | 16' 4" +6.5"/-0" [5M +165.0/-0 mm] |



| P1 | | P2 | |
|----|-----------|----|--|
| 1 | WHITE/DRG | 1 | |
| 2 | WHITE/GRN | 2 | |
| 3 | ORANGE | 3 | |
| 4 | GREEN | 4 | |

WIRING DIAGRAM

- NOTES:
- 1) MATERIAL: SEE TABLE
 - 2) FINISHES: SEE TABLE
 - 3) CABLE: #26/4 SHIELDED PVC
 - 4) ELECTRICAL DATA: ACCORDING TO CAT5e ETHERNET STANDARD
MAX. VOLTAGE: 30V
MAX. CURRENT 1.5A
 - 5) ENVIRONMENTAL: PROTECTION IP67
TEMPERATURE RANGE: -20°C TO 75°C
 - 6) WRAP LABEL IS MARKED WITH P/N, DATE CODE, VOLTAGE & AMPERAGE.
 - 7) ASSEMBLY IS RoHS COMPLIANT.

| ITEM | QTY. | DESCRIPTION | MATERIAL | FINISH |
|------|------|--------------------------|--------------|--------------|
| 6 | 1 | LABEL | PLASTIC FILM | BLACK/YELLOW |
| 5 | 2 | INSERT | PUR | BLACK |
| 4 | 8 | PIN CONTACT | COPPER ALLOY | GOLD PLATED |
| 3 | 2 | M12 ULTRA-LOCK HEAD ASSY | BRASS | NICKEL |
| 2 | 2 | OVERMOLD | PUR | BLACK |
| 1 | 1 | ETHERNET CABLE-CAT5E | PVC JACKET | TEAL |

| SD RELEASE EC NO: MEL2010-0005 7/7/09 DRWN: VOU CHKD: BWOODMAN APPR: JFMURPHY 2009/07/20 | QUALITY SYMBOLS | GENERAL TOLERANCES (UNLESS SPECIFIED) | DIMENSION STYLE | SCALE | DESIGN UNITS | THIRD ANGLE PROJECTION | | | | | | | | | | | | | | | |
|---|--|---|--------------------------|---|----------------------------|------------------------|------------|-------|----------|------------|-------------|----------|-------|-------|---------|-------|---|-------|-----|------|--|
| | $\nabla=0$ $\nabla C=0$ | <table border="1"> <thead> <tr> <th></th> <th>mm</th> <th>INCH</th> </tr> </thead> <tbody> <tr> <td>4 PLACES</td> <td>±----</td> <td>±----</td> </tr> <tr> <td>3 PLACES</td> <td>±----</td> <td>±.005</td> </tr> <tr> <td>2 PLACES</td> <td>±----</td> <td>±.010</td> </tr> <tr> <td>1 PLACE</td> <td>±----</td> <td>±.020</td> </tr> </tbody> </table> | | mm | INCH | 4 PLACES | ±---- | ±---- | 3 PLACES | ±---- | ±.005 | 2 PLACES | ±---- | ±.010 | 1 PLACE | ±---- | ±.020 | IN/MM | 3:4 | INCH | |
| | | mm | INCH | | | | | | | | | | | | | | | | | | |
| | 4 PLACES | ±---- | ±---- | | | | | | | | | | | | | | | | | | |
| 3 PLACES | ±---- | ±.005 | | | | | | | | | | | | | | | | | | | |
| 2 PLACES | ±---- | ±.010 | | | | | | | | | | | | | | | | | | | |
| 1 PLACE | ±---- | ±.020 | | | | | | | | | | | | | | | | | | | |
| | ANGULAR ± 1/2° | <table border="1"> <tr> <td>DRAWN BY</td> <td>DATE</td> </tr> <tr> <td>VOU</td> <td>2009/07/07</td> </tr> <tr> <td>CHECKED BY</td> <td>DATE</td> </tr> <tr> <td>BWOODMAN</td> <td>2009/07/31</td> </tr> <tr> <td>APPROVED BY</td> <td>DATE</td> </tr> <tr> <td>---</td> <td>---</td> </tr> </table> | DRAWN BY | DATE | VOU | 2009/07/07 | CHECKED BY | DATE | BWOODMAN | 2009/07/31 | APPROVED BY | DATE | --- | --- | TITLE | | M12 ULTRA-LOCK CABLE ASSY 4P M/MP ST/90 D-CODE #26/4 SHIELDED PVC | | | | |
| DRAWN BY | DATE | | | | | | | | | | | | | | | | | | | | |
| VOU | 2009/07/07 | | | | | | | | | | | | | | | | | | | | |
| CHECKED BY | DATE | | | | | | | | | | | | | | | | | | | | |
| BWOODMAN | 2009/07/31 | | | | | | | | | | | | | | | | | | | | |
| APPROVED BY | DATE | | | | | | | | | | | | | | | | | | | | |
| --- | --- | | | | | | | | | | | | | | | | | | | | |
| | DRAFT WHERE APPLICABLE MUST REMAIN WITHIN DIMENSIONS | SEE CHART | molex MOLEX INCORPORATED | | DOCUMENT NO. SD-120108-005 | | | | | | | | | | | | | | | | |
| | | | SIZE A | THIS DRAWING CONTAINS INFORMATION THAT IS PROPRIETARY TO MOLEX INCORPORATED AND SHOULD NOT BE USED WITHOUT WRITTEN PERMISSION | | | | | | | | | | | | | | | | | |

6

5

4

3

2

1

E

E

D

D

C

C

B

B

A

A