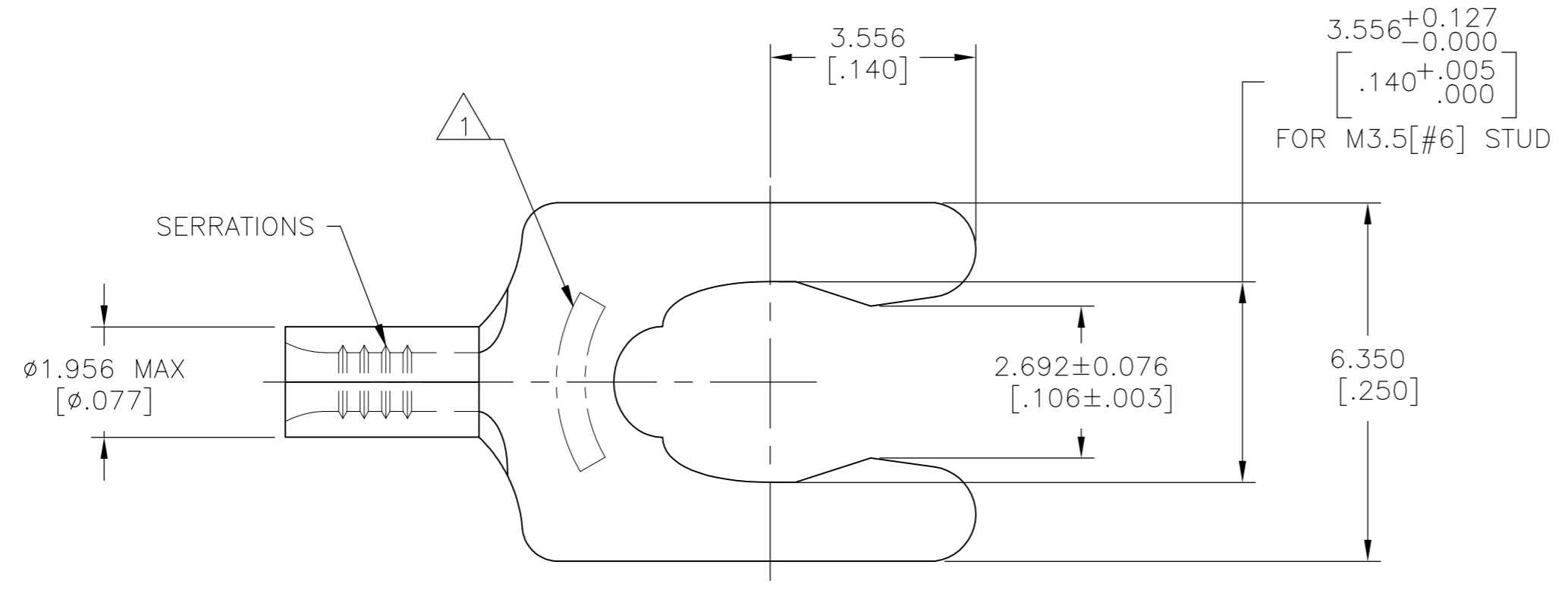


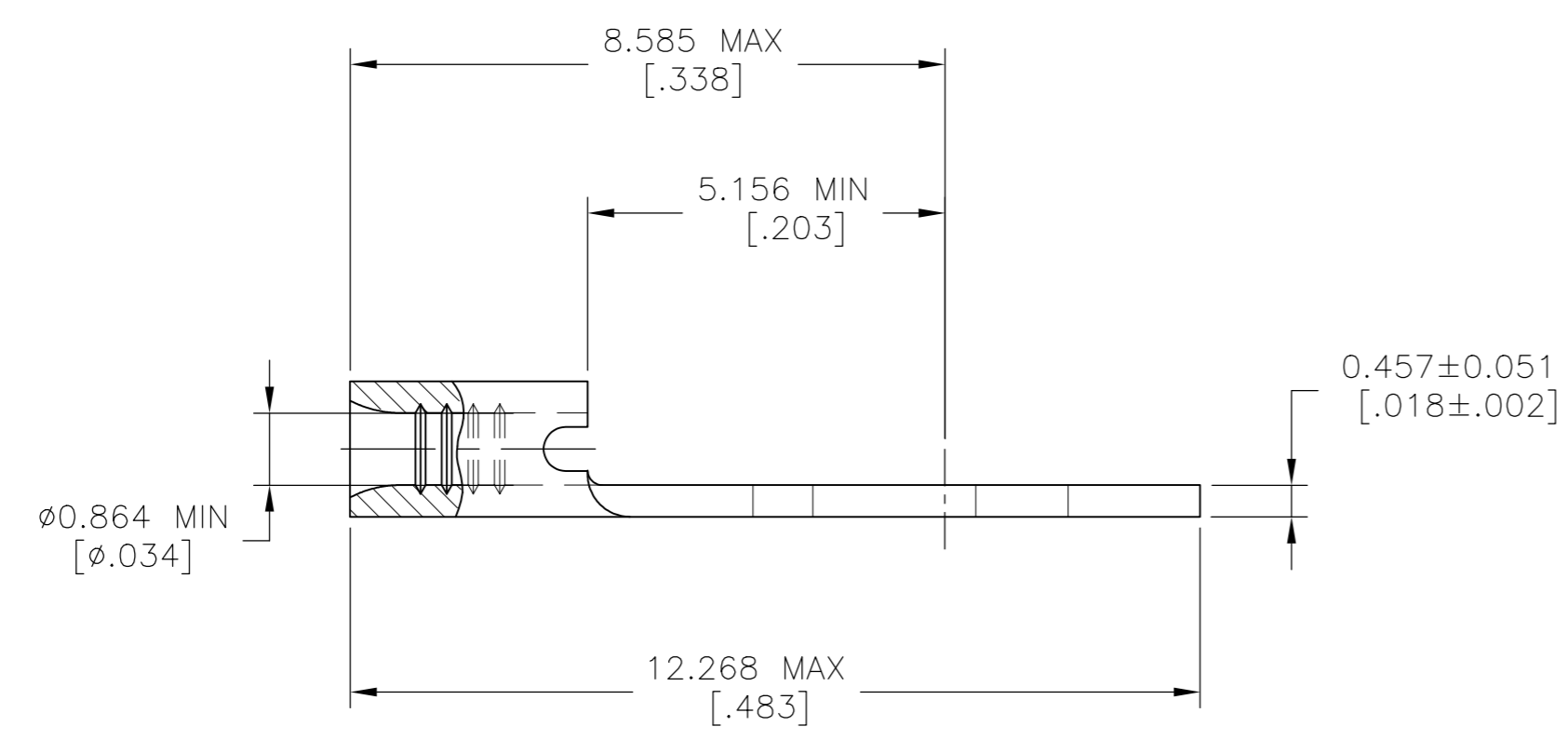
THIS DRAWING IS UNPUBLISHED.
 RELEASED FOR PUBLICATION
 © COPYRIGHT - TE Connectivity Ltd. ALL RIGHTS RESERVED.

REVISIONS					
P	LTR	DESCRIPTION	DATE	DWN	APVD
	O	DRAWN PER 0G3A-0027-03	23JAN03	-	DAP
	A	REVISED PER ECO-17-008806	23FEB2018	RS	DR



AMP WIRE RANGE	E13288 Listed
26-22 AWG STRANDED	NOT LISTED
LR7189 Certified	MILITARY P/N AND CLASS
NOT CERTIFIED	NOT APPLICABLE

- 1 STAMP 6S AMP APPROX AS SHOWN
6S INDICATES STUD SIZE
- 2 NOTE DELETED



500	LOOSE PIECE	53003-1
QUANTITY	PACKAGE TYPE	PART NO

AMP INCORPORATED CUSTOMER SERVICE SYSTEMS		MAX RECOMMENDED OPERATING TEMPERATURE: 170°C [338°F] MAX
FOR ADDITIONAL PRODUCT INFORMATION OR COPIES OF DRAWINGS AND TECHNICAL DOCUMENTS	PRODUCT INFORMATION CENTER 1-800-522-6752	VOLTAGE RATING: NOT APPLICABLE
FOR APPLICATION TOOLING INFORMATION	TOOLING ASSISTANCE CENTER 1-800-722-1111	WIRE CROSS SECTIONAL AREA RANGE, 0.1-0.41mm²[202-810] CIR MILS STRANDED
FOR ORDER ENTRY	1-800-526-5142	

THIS DRAWING IS A CONTROLLED DOCUMENT.	
DIMENSIONS: mm [INCHES]	TOLERANCES UNLESS OTHERWISE SPECIFIED:
	0 PLC ± -
	1 PLC ± -
	2 PLC ± -
	3 PLC ± 0.127[.005]
	4 PLC ± -
	ANGLES ± -
MATERIAL PHOSPHOR BRONZE PER ASTM B-103 ANNEALED	FINISH TIN PLATE 0.00254[.000100] MIN THK PER ASTM B545

DWN JR RUTH 23JAN03	TE Connectivity Ltd.	
CHK DA PATTERSON 2-10-93	NAME TERMINAL, SHORT SPRING SPADE, BUDGET 26-22 AWG	
APVD JL MECKLEY 2-10-93	PRODUCT SPEC	RESTRICTED TO
SIZE A2	CAGE CODE 00779	DRAWING NO 53003
CUSTOMER DRAWING	SCALE 10:1	SHEET 1 of 1
		REV A