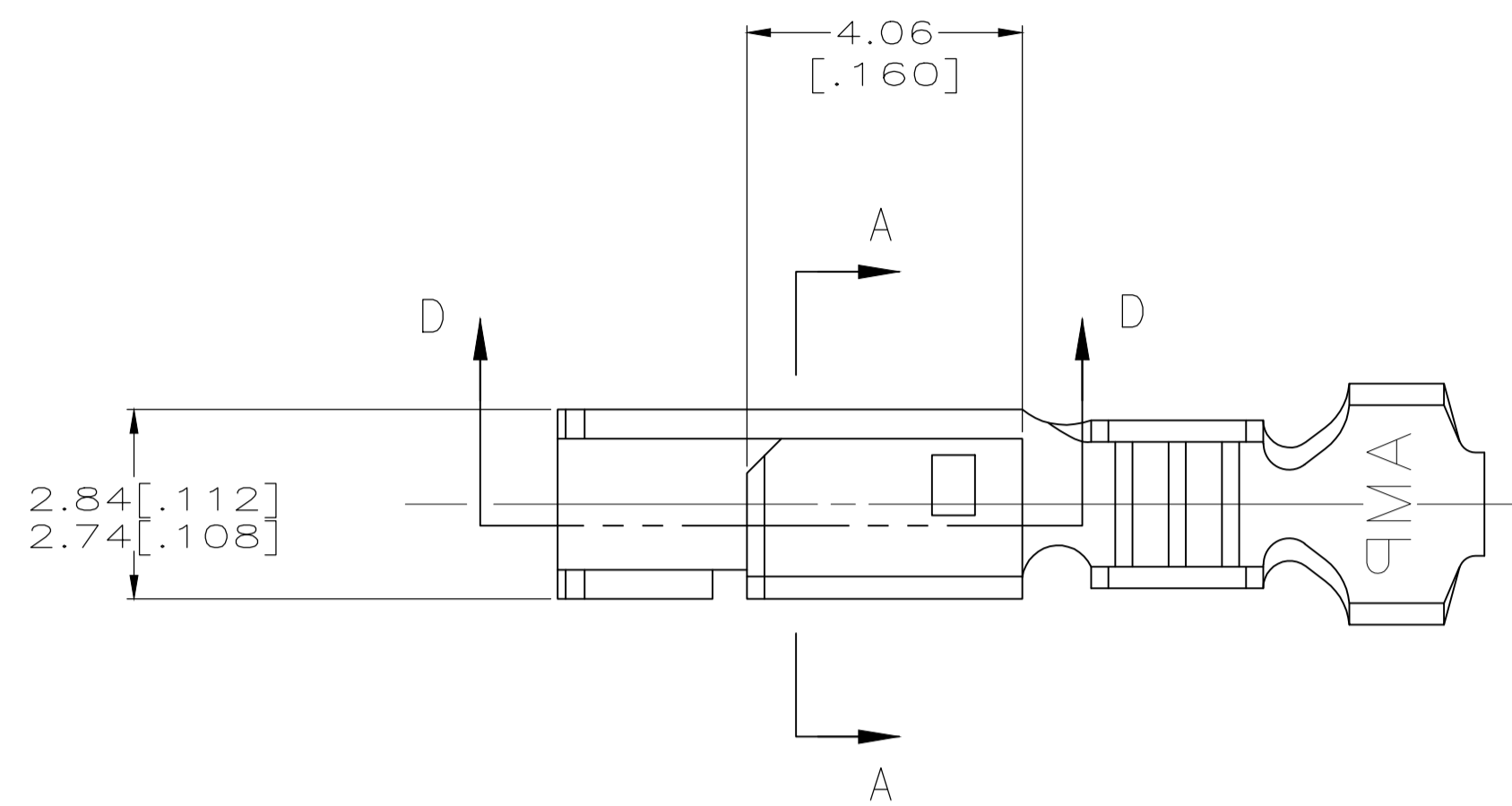
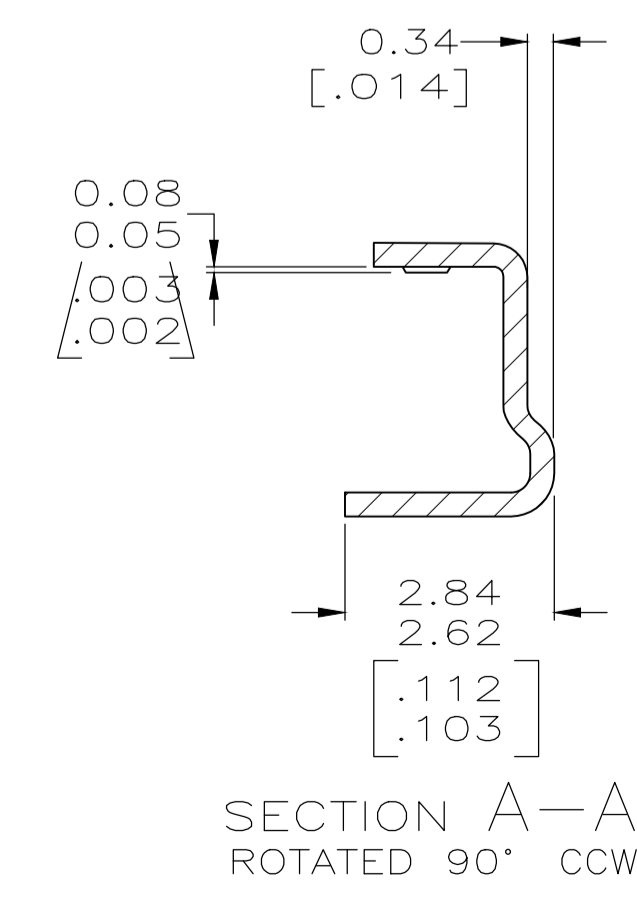
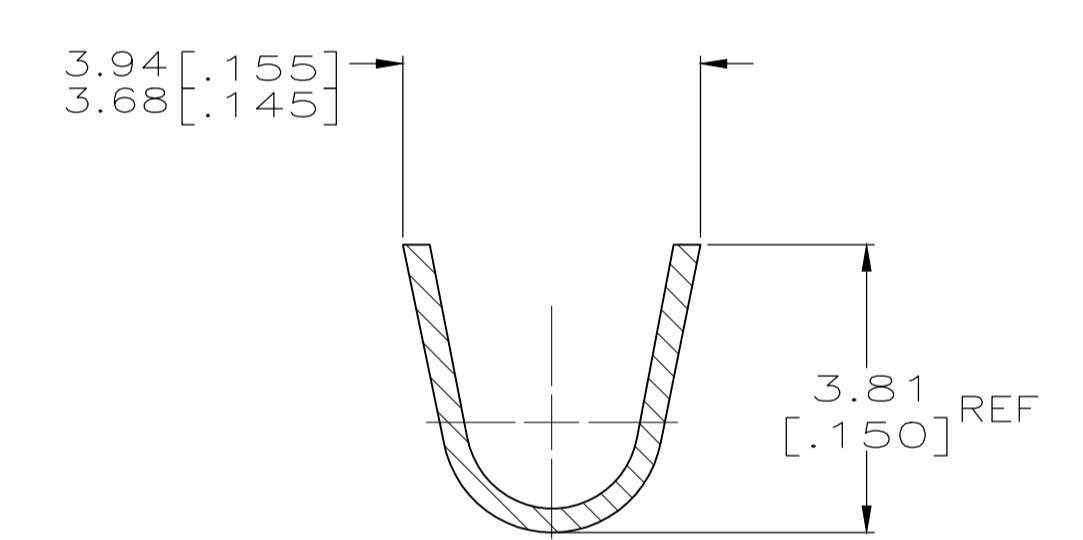
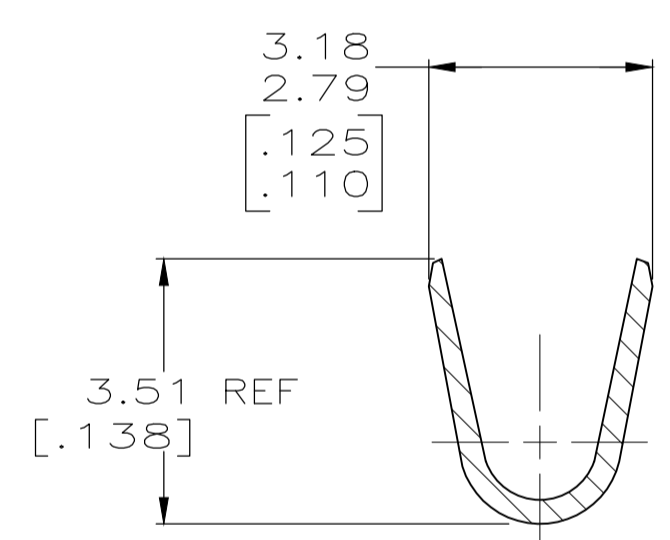
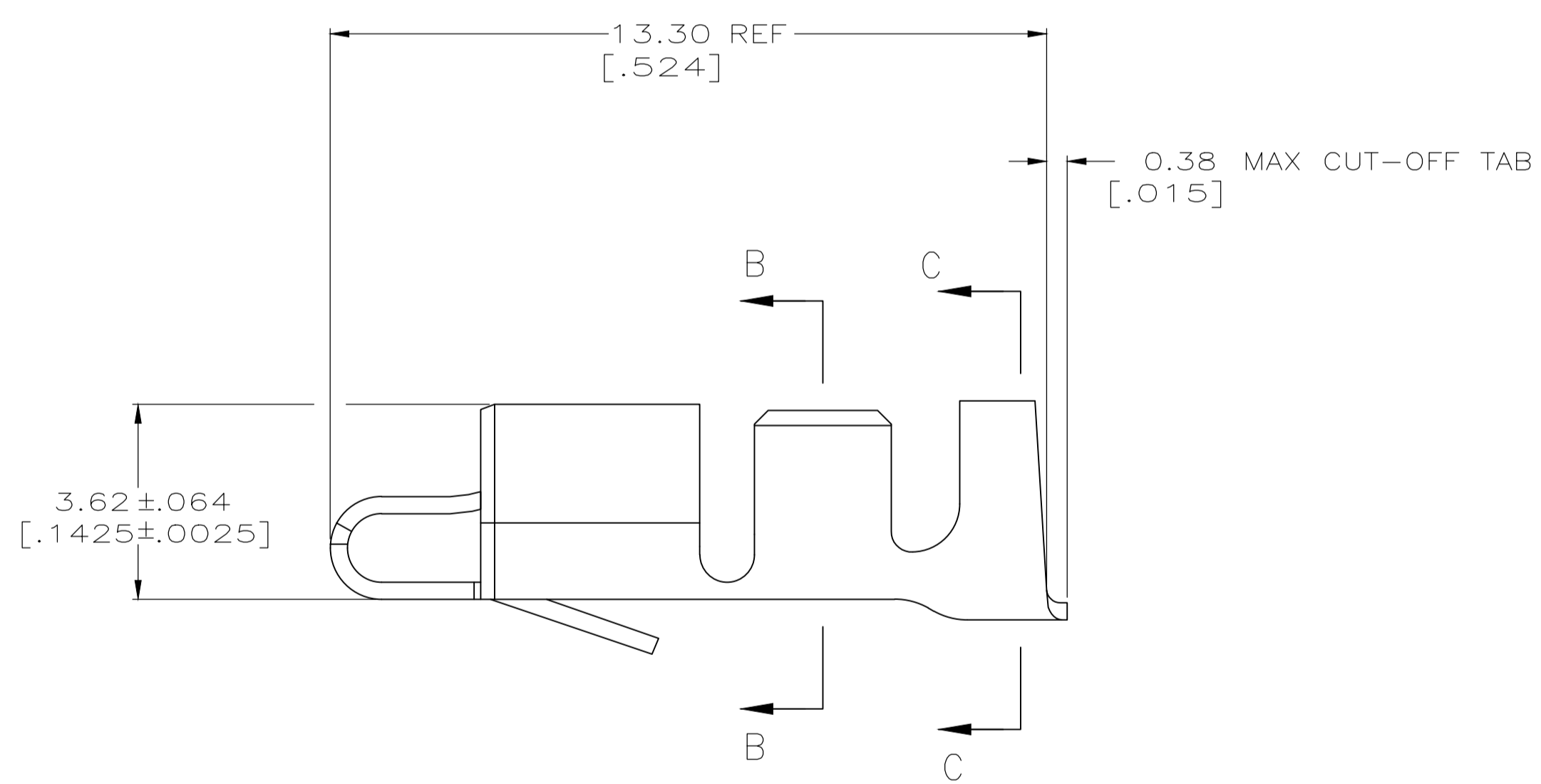
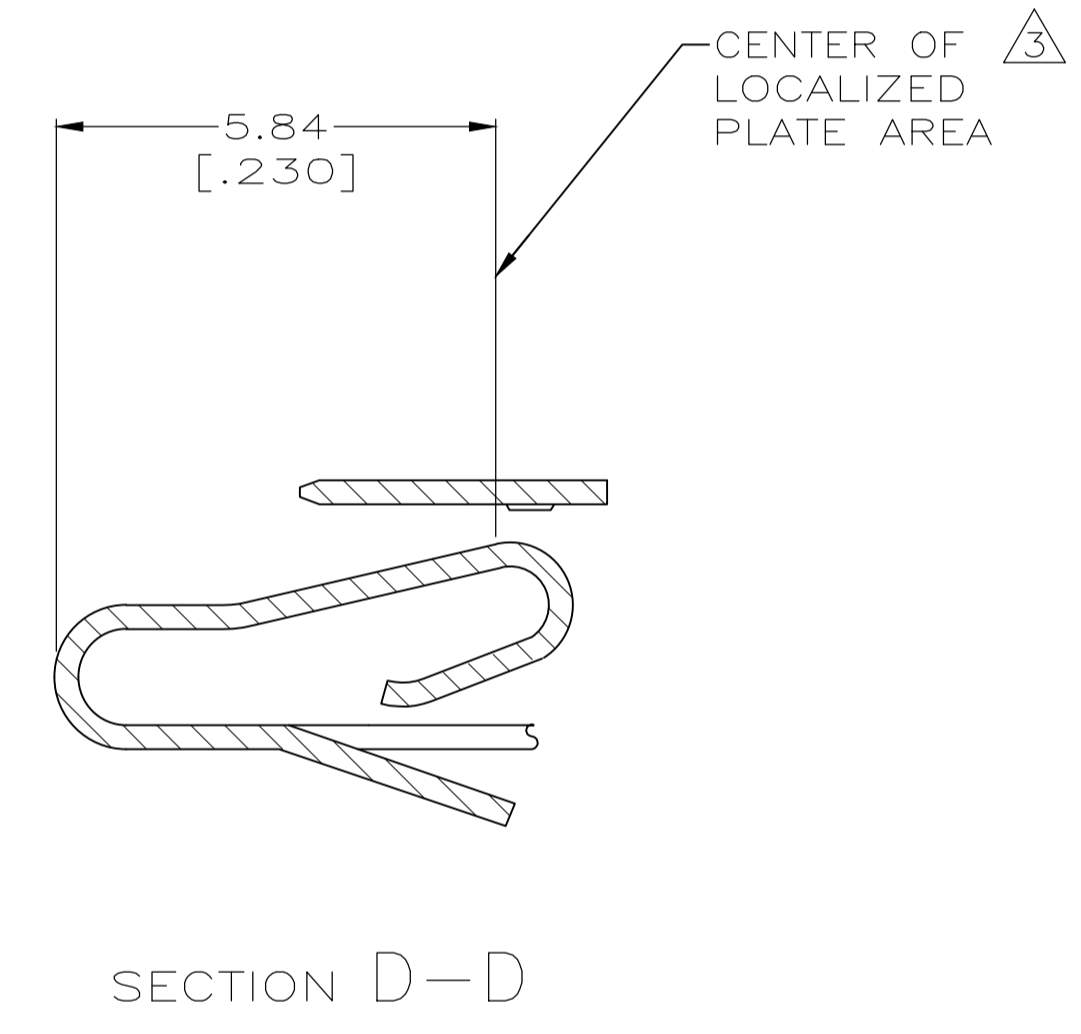


REVISIONS				
P	LTR	DESCRIPTION	DATE	BY
B		REVISED PER ECR-18-019874	19MAR2019	BDA SG



1. INSULATION RANGE: 1.78-2.84 [.070-.112]
 WIRE RANGE: NOT TO EXCEED 2550-2800 CMA (1.29-1.42 mm²)
 (LIMITED 16 AWG RANGE).
- 2 0.00203 [.000080] MIN MATTE TIN-LEAD OVER
 0.00127 [.000050] MIN NICKEL.
- 3 0.00076 [.000030] MIN THICK GOLD STRIPES IN
 LOCALIZED PLATE AREA ON BEAM AND DIMPLE OVER
 0.00127 [.000050] MIN THICK NICKEL OVER ENTIRE
 CONTACT.
4. DIMENSIONS IN BRACKETS ARE IN INCHES.
5. FOR USE ONLY WITH LID STYLE HOUSING.
- 6 0.00203 [.000080] MIN MATTE TIN OVER
 0.00127 [.000050] MIN NICKEL.
- 7 OBSOLETE



6	3-647485-1
3	647485-2
2	647485-1
1	
FINISH	PART NUMBER

THIS DRAWING IS A CONTROLLED DOCUMENT.		DWG: K. WHITAKER 15-JAN-2001	TE Connectivity	
DIMENSIONS: mm [INCHES]		CHK: J. ELLIS 15-JAN-2001	APVD: J. ELLIS 15-JAN-2001	
TOLERANCES UNLESS OTHERWISE SPECIFIED:		NAME: SL-156 HOODED RECEPTACLE, LARGE WIRE CONTACT, LOOSE PIECE		
0 PLC ± -	1 PLC ± -	PRODUCT SPEC: 108-1049		
2 PLC ± -	3 PLC ± .005	APPLICATION SPEC: 114-1021		
4 PLC ± -	ANGLES ± -	SIZE: A1	CAGE CODE: 00779	DRAWING NO: 647485
MATERIAL: PH BRZ	FINISH: SEE TABLE	WEIGHT: 0.000000	CUSTOMER DRAWING	RESTRICTED TO: -
		SCALE: 10:1	SHEET: 1 of 1	REV: B