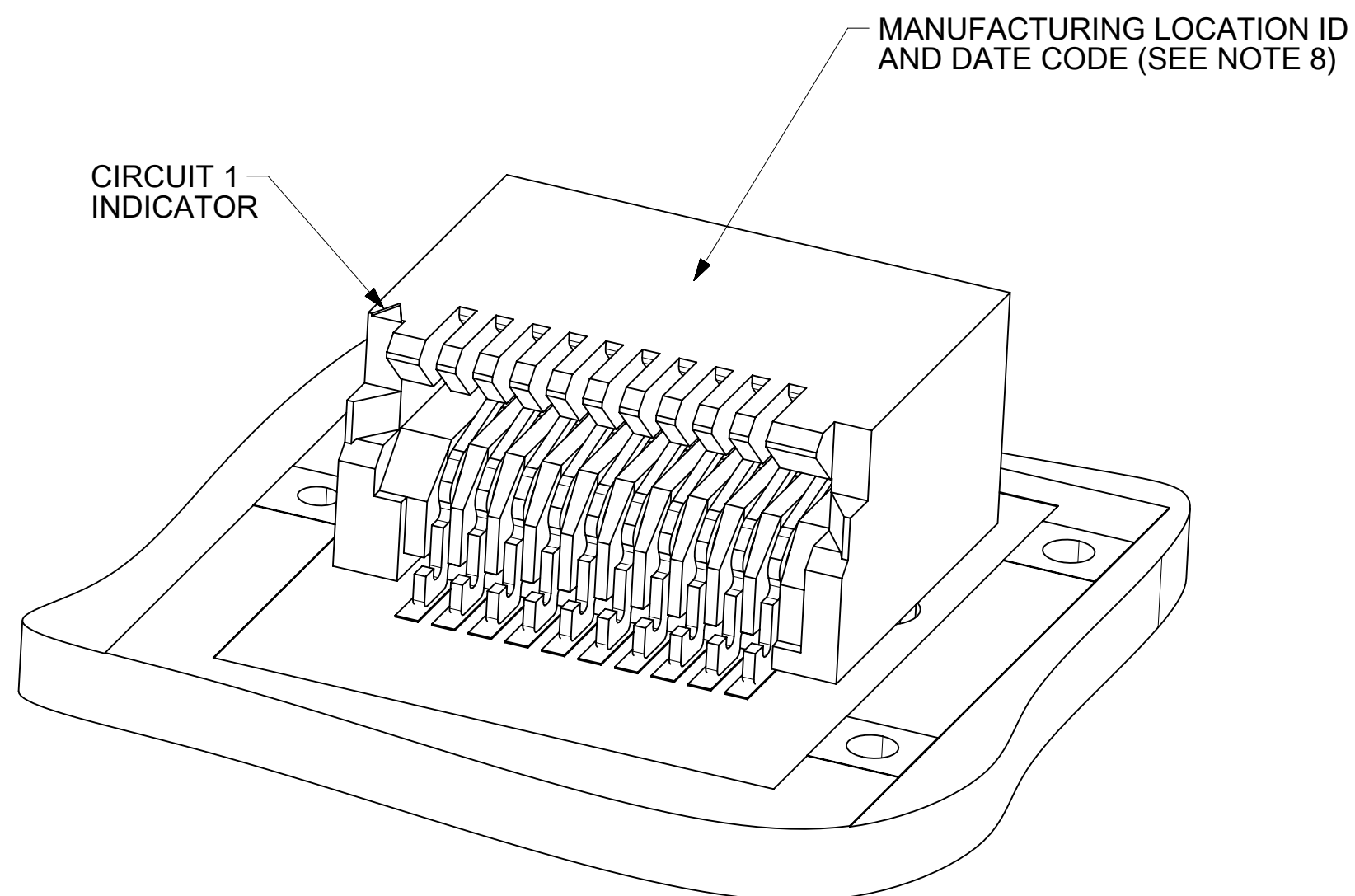


CKT SIZE	PART NUMBER	TOOLED	DESCRIPTION	DIMENSIONS				MULTI-SOURCE AGREEMENT	CIRCUIT BOARD LAYOUT
				"A"	"B"	"C"	"D"		
20	74441-0001	YES	PLATED PER NOTE 2	1.10/.043	11.00/.433	9.40/.370	9.60/.378	SFP	SEE SHEET 3
	74441-0004	NO*	PLATED PER NOTE 2	0.76/.030					
	74441-0010	YES	PLATED PER NOTE 3	1.10/.043					
	74441-0014	NO*	PLATED PER NOTE 3	0.76/.030					
	74441-0041	YES	PLATED PER NOTE 5	1.10/.043					
30	74441-0007	YES	PLATED PER NOTE 2	1.10/.043	15.00/.591	13.40/.528	13.60/.535	XFP	SEE SHEET 4
	74441-0017	YES	PLATED PER NOTE 3	1.10/.043					
70	74441-0003	YES	PLATED PER NOTE 2	1.10/.043	31.00/1.220	29.40/1.517	29.60/1.165	XENPAK XPAK X2	SEE SHEET 5

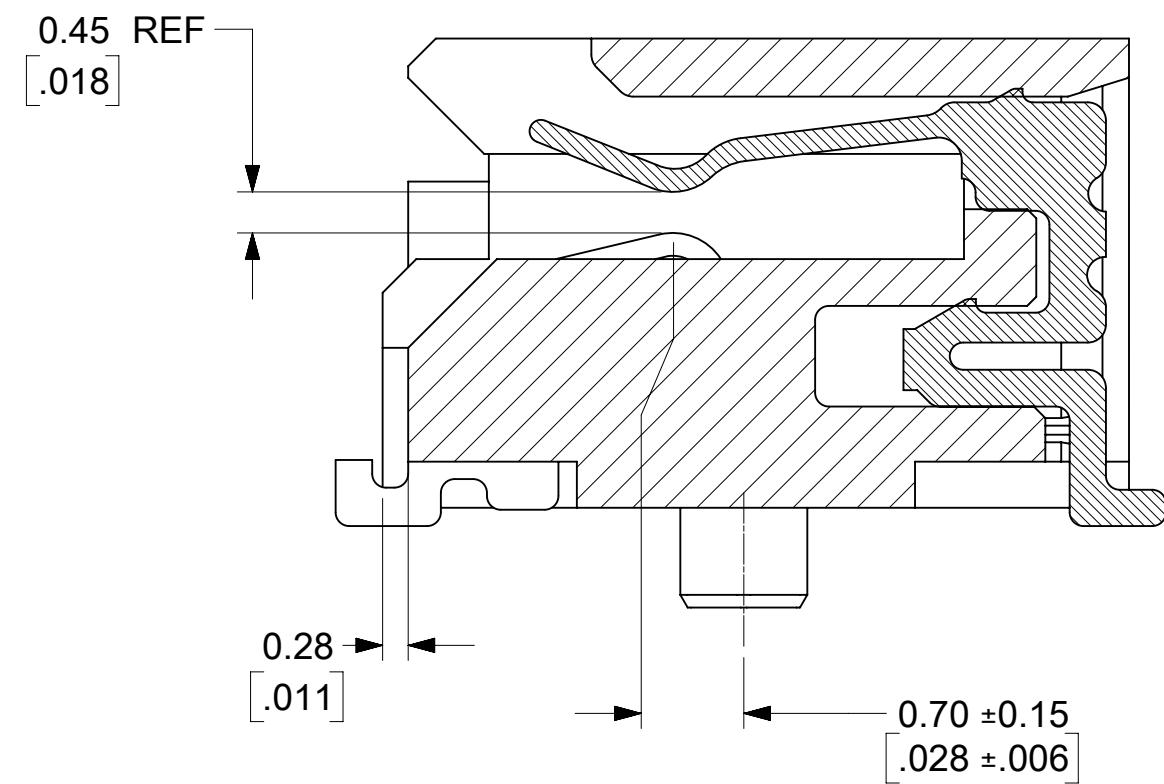
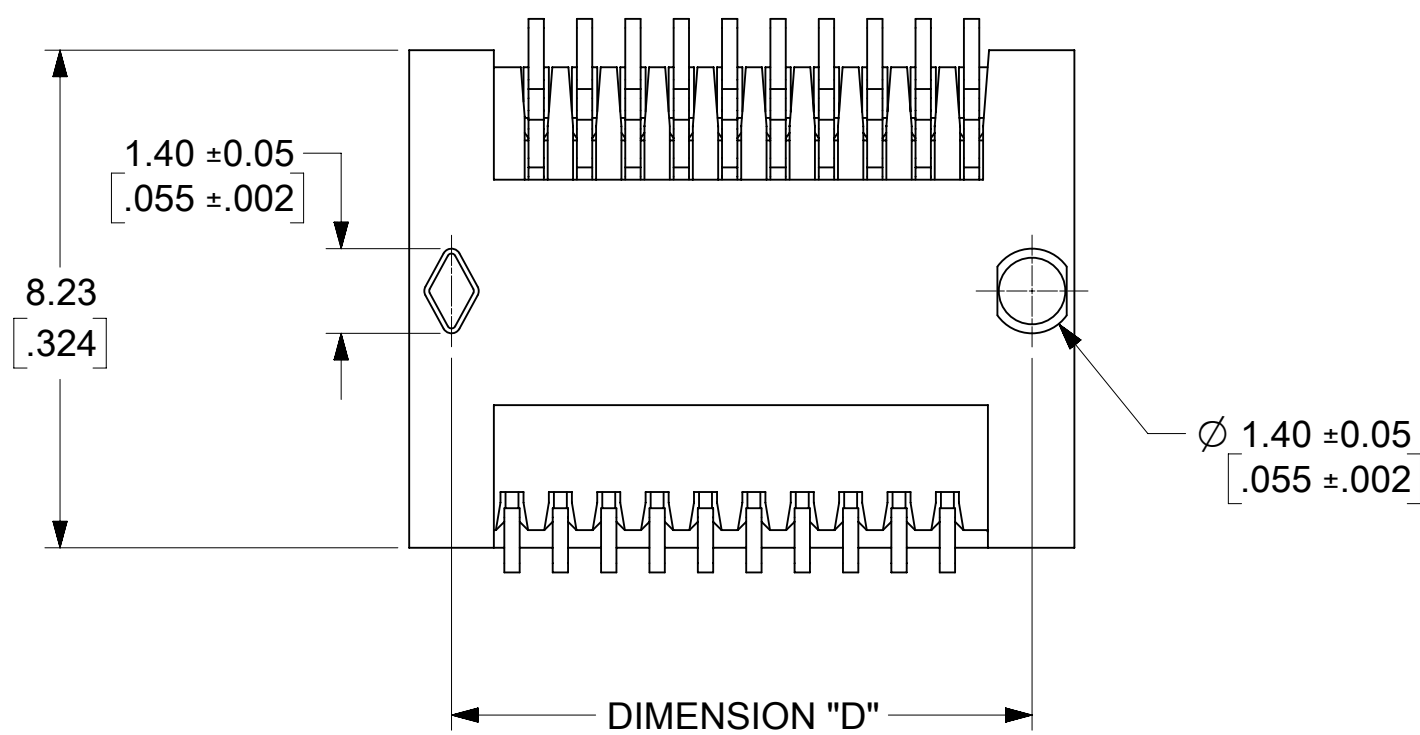
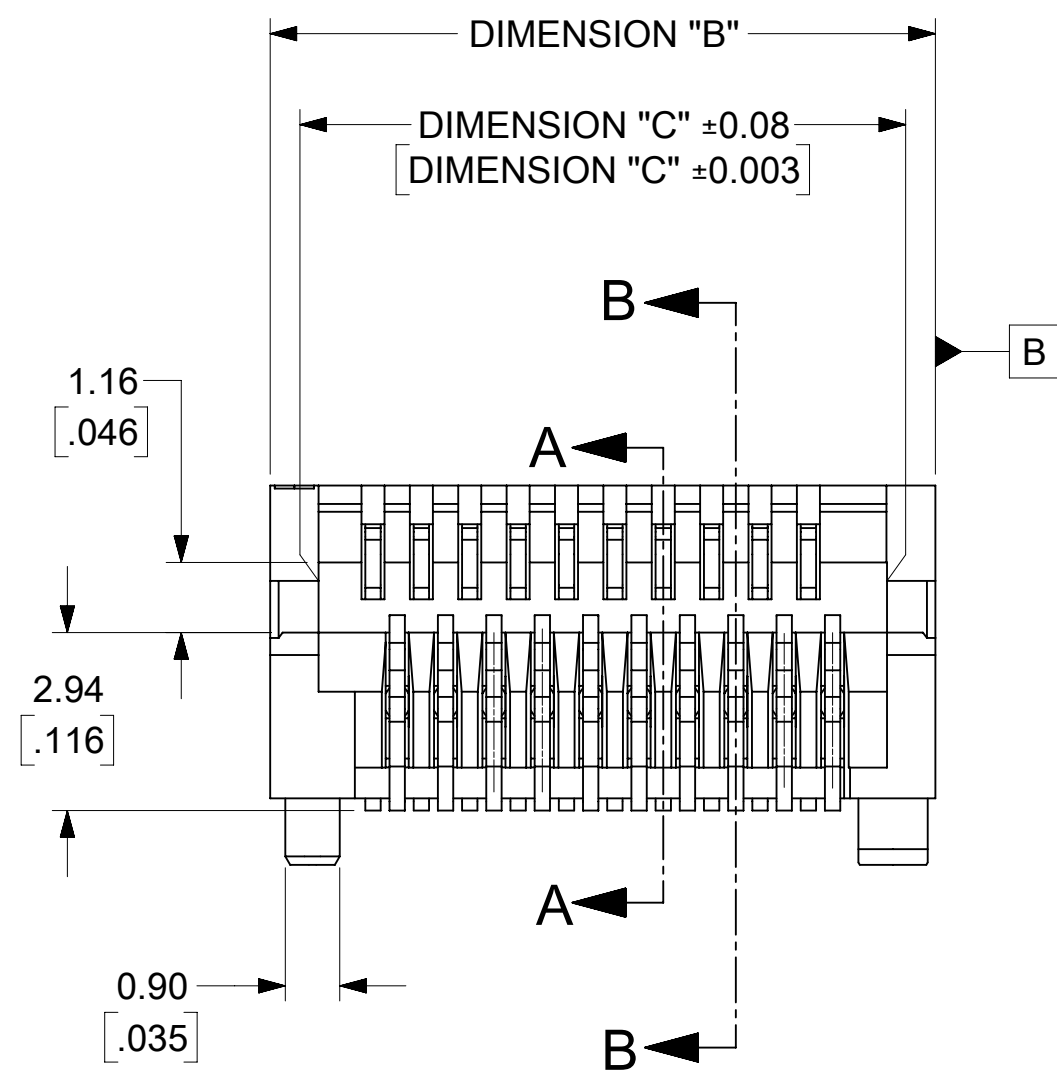
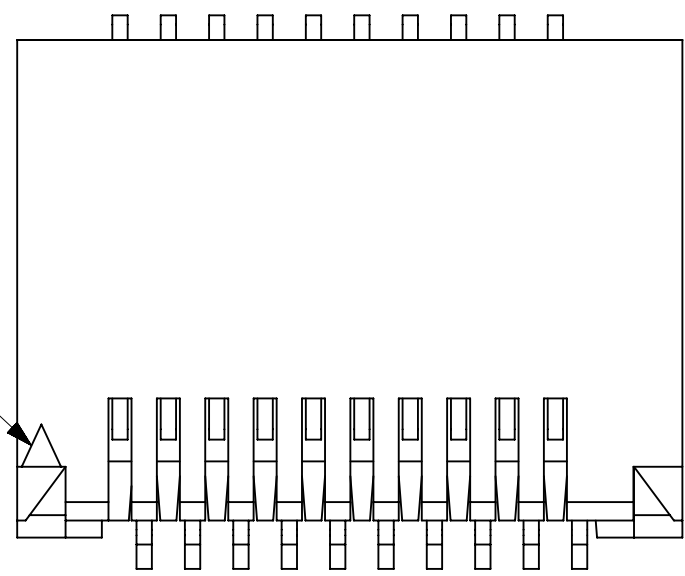
NOTES

- MATERIAL:**
HOUSING - HIGH TEMPERATURE THERMOPLASTIC GLASS FILLED, UL 94V-0, BLACK
TERMINALS - COPPER ALLOY
- PLATING (SEE TABLE):**
CONTACT AREA - 0.38 MICROMETER MINIMUM GOLD OVER NICKEL
SOLDER FOOT AREA - 2.54 MICROMETER MINIMUM TIN OVER NICKEL
- PLATING (SEE TABLE):**
CONTACT AREA - 0.76 MICROMETER MINIMUM GOLD OVER NICKEL
SOLDER AREA - 2.54 MICROMETER MINIMUM TIN OVER NICKEL
- PLATING (SEE TABLE):**
CONTACT AREA - 0.76 MICROMETER MINIMUM GOLD OVER
2.54 MICROMETERS MINIMUM NICKEL.
SOLDER AREA: GOLD FLASH OVER NICKEL.
- PLATING (SEE TABLE):**
CONTACT AREA - 0.38 MICROMETER MINIMUM GOLD OVER NICKEL;
SOLDER AREA: GOLD FLASH OVER NICKEL.
- SOLDER FEET COPLANAR WITHIN 0.10/.004 FOR 20, 30 AND 40 CIRCUIT CONNECTORS,
WITHIN 0.15/.006 FOR 50 AND 70 CIRCUIT CONNECTORS
- * CONTACT PLANT FOR MORE INFORMATION
- DATE CODE: 4 DIGIT (3 DIGIT DAY, 1 DIGIT YEAR)
- THE CIRCUIT 1 INDICATOR MAY VARY IN SIZE AND APPEARANCE.

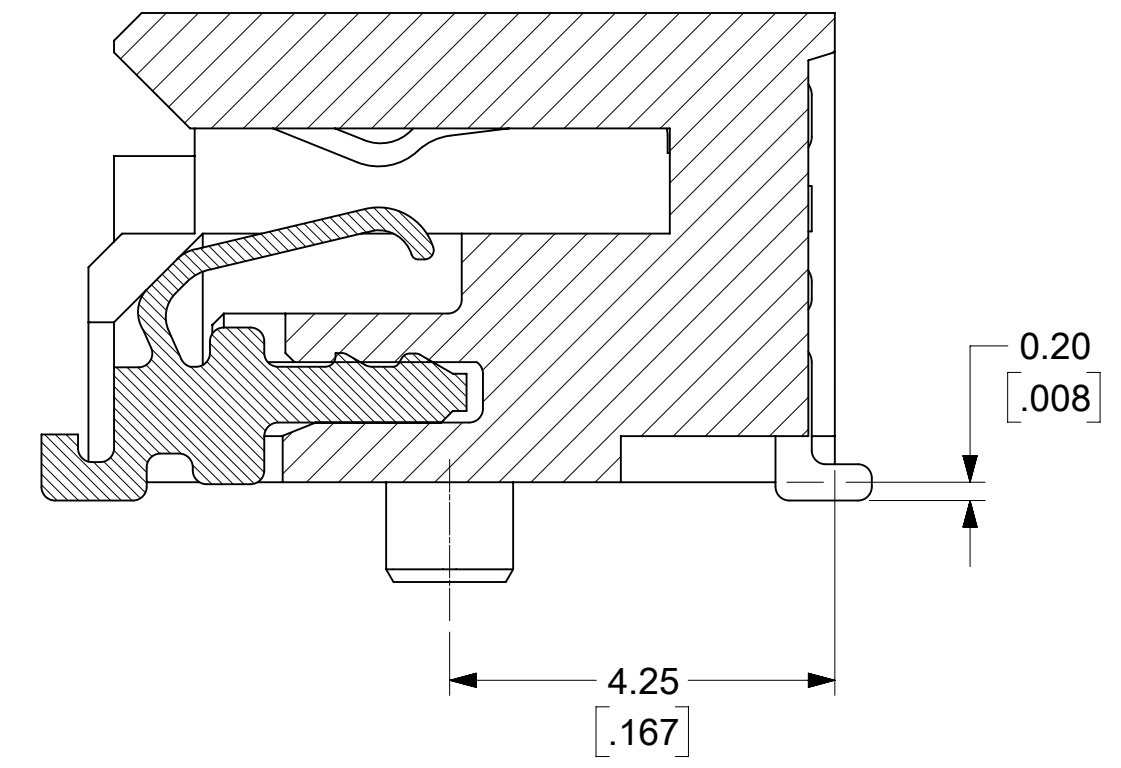
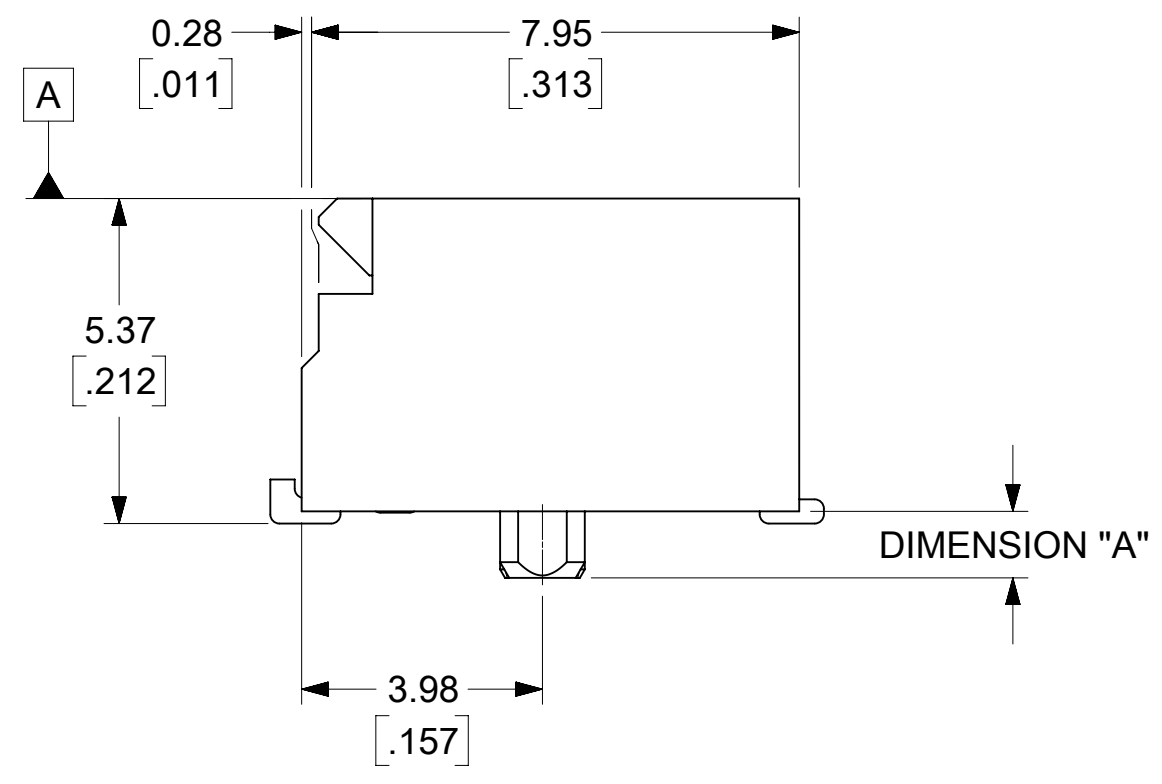


THIS DRAWING CONTAINS INFORMATION THAT IS PROPRIETARY TO MOLEX ELECTRONIC TECHNOLOGIES, LLC AND SHOULD NOT BE USED WITHOUT WRITTEN PERMISSION									
DIMENSION UNITS MM/IN		SCALE 8:1		CURRENT REV DESC: OBSOLETE PART NUMBER AS PER PCN#510313				molex	
GENERAL TOLERANCES (UNLESS SPECIFIED)				EC NO: 667545					
		MM	INCH	DRWN: ABHISP1		2021/06/03		SALES ASSEMBLY Z AXIS PLUGGABLE PCB CONNECTOR	
4 PLACES		±	±	CHK'D: GGA		2021/07/05			
3 PLACES		±	± 0.005	APPR: GGA		2021/07/05		PRODUCT CUSTOMER DRAWING	
2 PLACES		± 0.13	± 0.01	INITIAL REVISION:					
1 PLACE		± 0.25	±	DRWN: HAVERY		2000/04/06		DOCUMENT NUMBER	
0 PLACES		±	±	APPR: MBANAKIS		2000/04/06		SD-74441-001	
ANGULAR TOL		± 0.5 °		THIRD ANGLE PROJECTION		DRAWING		SERIES	
DRAFT WHERE APPLICABLE MUST REMAIN WITHIN DIMENSIONS				C-SIZE		74441		MATERIAL NUMBER	
				SEE TABLE		CUSTOMER		SHEET NUMBER	
				GENERAL MARKET		1 OF 5			

CIRCUIT 1 INDICATOR

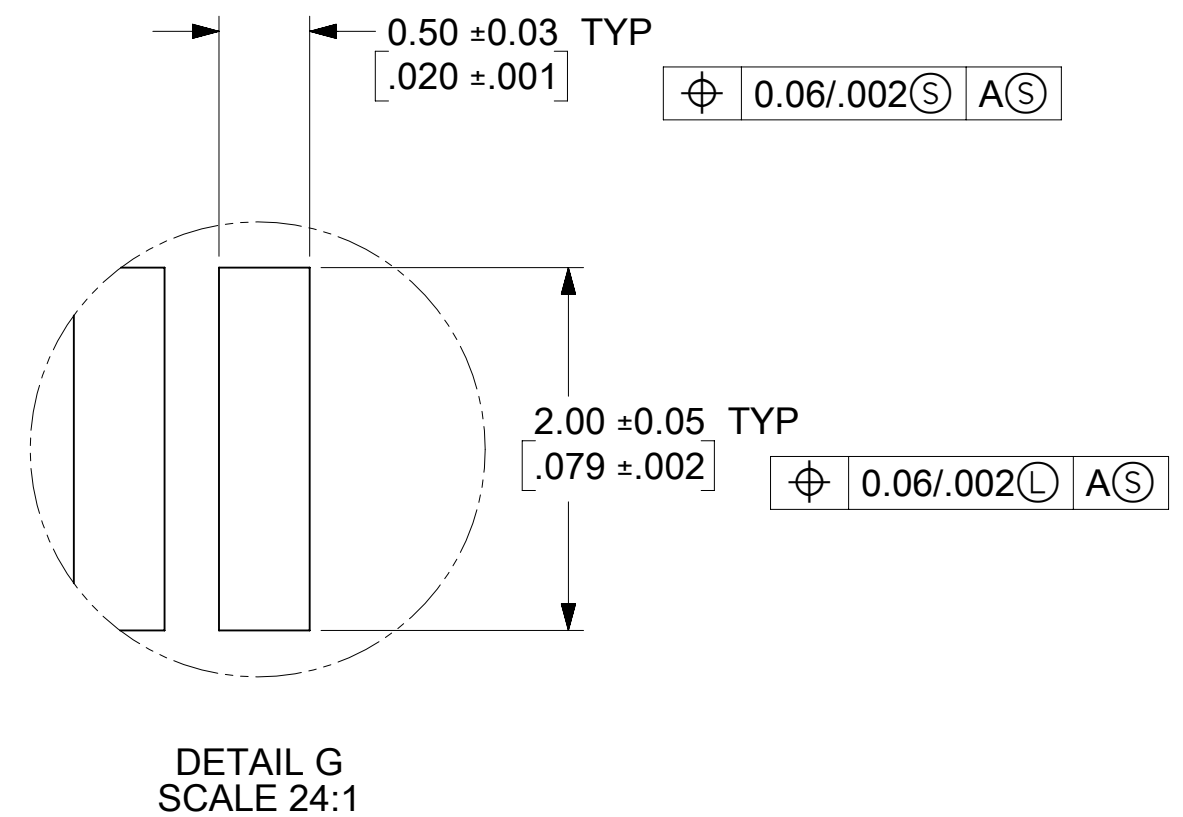
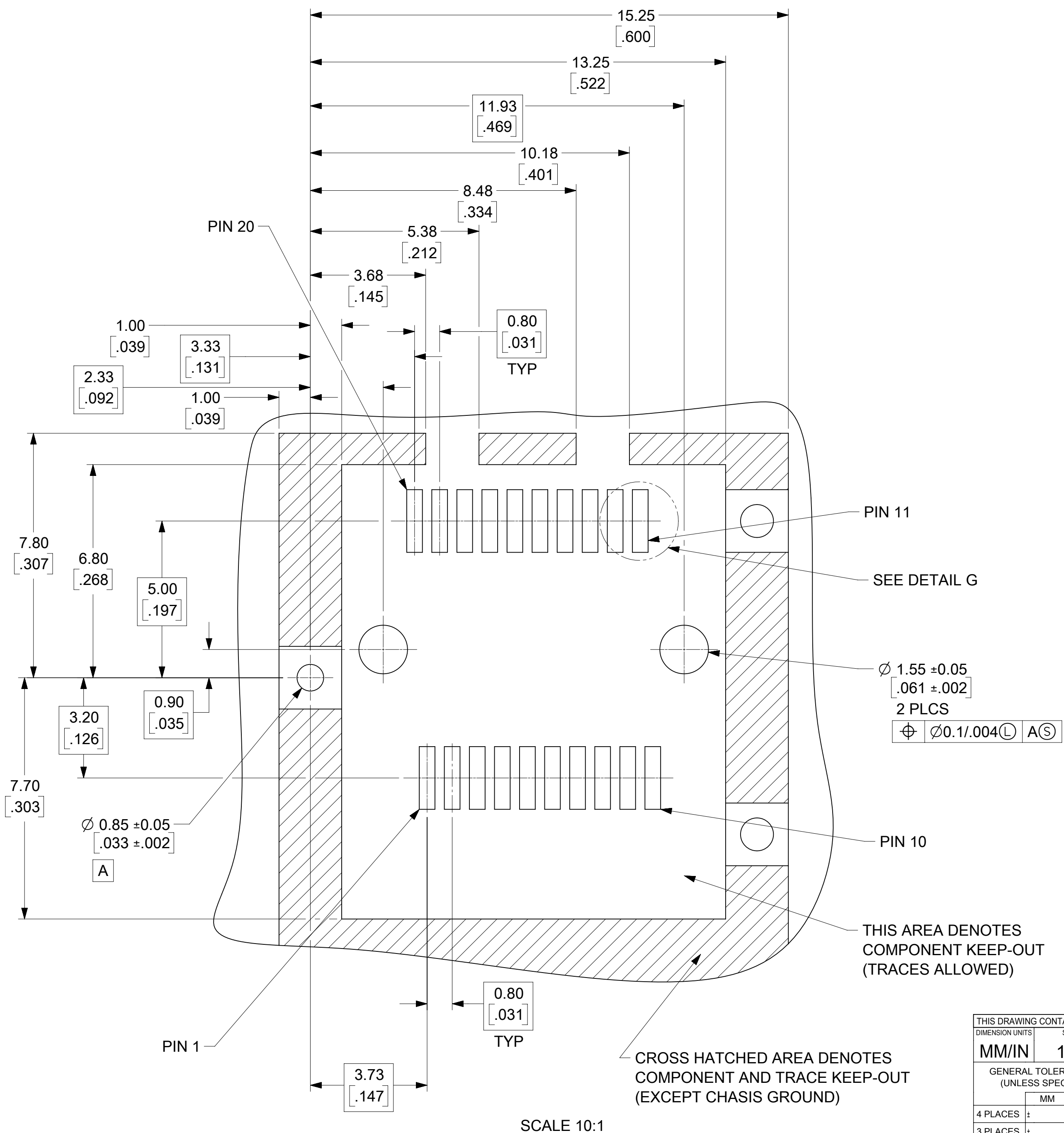


SECTION A-A
SCALE 12:1



SECTION B-B
SCALE 12:1

THIS DRAWING CONTAINS INFORMATION THAT IS PROPRIETARY TO MOLEX ELECTRONIC TECHNOLOGIES, LLC AND SHOULD NOT BE USED WITHOUT WRITTEN PERMISSION									
DIMENSION UNITS MM/IN		SCALE 8:1		CURRENT REV DESC: OBSOLETE PART NUMBER AS PER PCN#510313				molex	
GENERAL TOLERANCES (UNLESS SPECIFIED)				EC NO: 667545 DRWN: ABHISP1 CHK'D: GGA APPR: GGA					
4 PLACES	±		±	2021/06/03		SALES ASSEMBLY Z AXIS PLUGGABLE PCB CONNECTOR		PRODUCT CUSTOMER DRAWING	
3 PLACES	±		± 0.005	2021/07/05				DOCUMENT NUMBER	
2 PLACES	±	0.13	± 0.01	2021/07/05				DOC TYPE DOC PART REVISION	
1 PLACE	±	0.25	±	INITIAL REVISION:				SD-74441-001	
0 PLACES	±		±	DRWN: HAVERY APPR: MBANAKIS		2000/04/06 2000/04/06		PSD 001 AC	
ANGULAR TOL ± 0.5 °				DRAWING		SERIES		MATERIAL NUMBER	
DRAFT WHERE APPLICABLE MUST REMAIN WITHIN DIMENSIONS		THIRD ANGLE PROJECTION		C-SIZE		74441		CUSTOMER	
								GENERAL MARKET	
								SHEET NUMBER	
								2 OF 5	



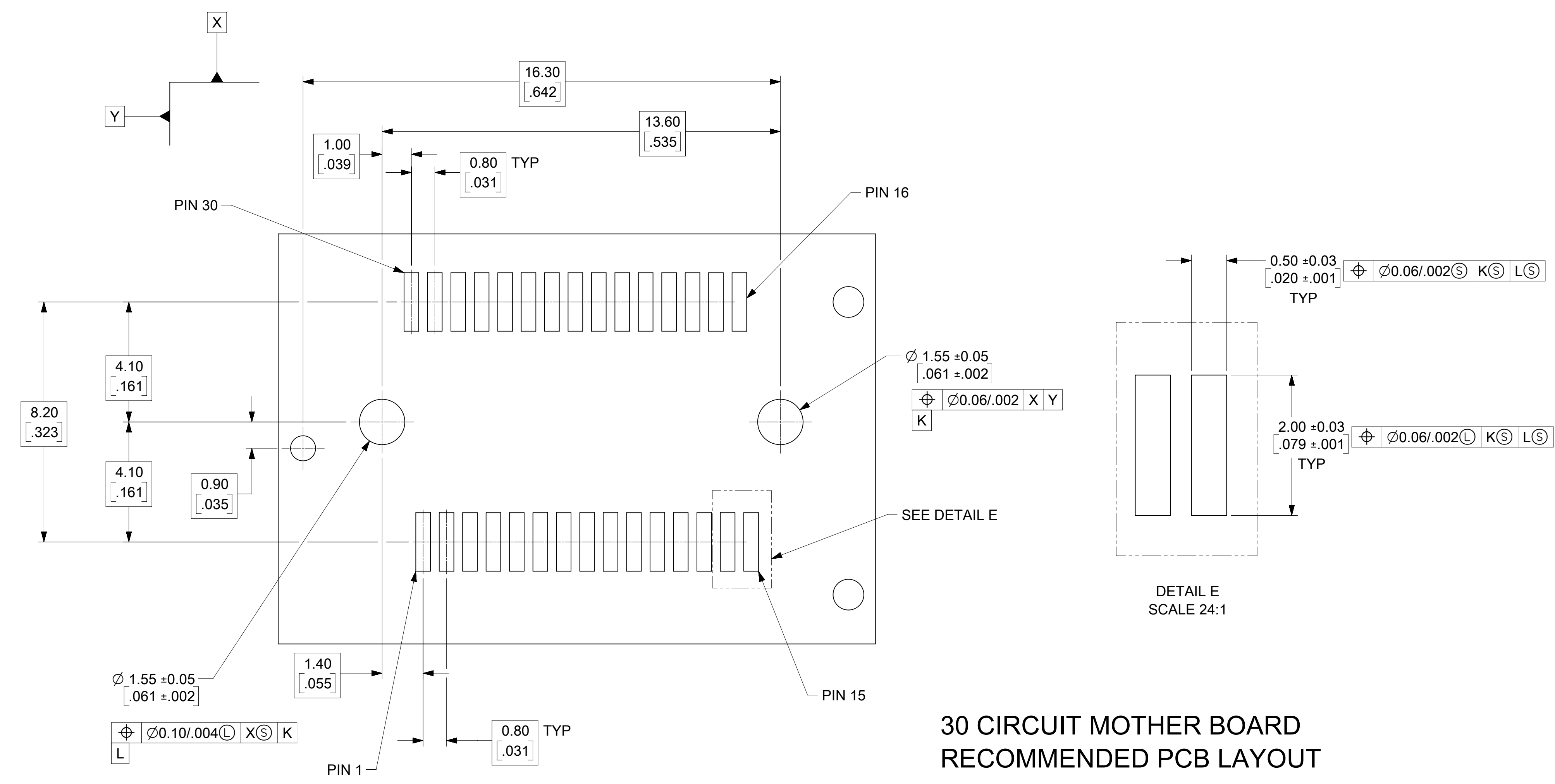
20 CIRCUIT MOTHER BOARD RECOMMENDED PCB LAYOUT

THIS AREA DENOTES
COMPONENT KEEP-OUT
(TRACES ALLOWED)

CROSS HATCHED AREA DENOTES
COMPONENT AND TRACE KEEP-OUT
(EXCEPT CHASIS GROUND)

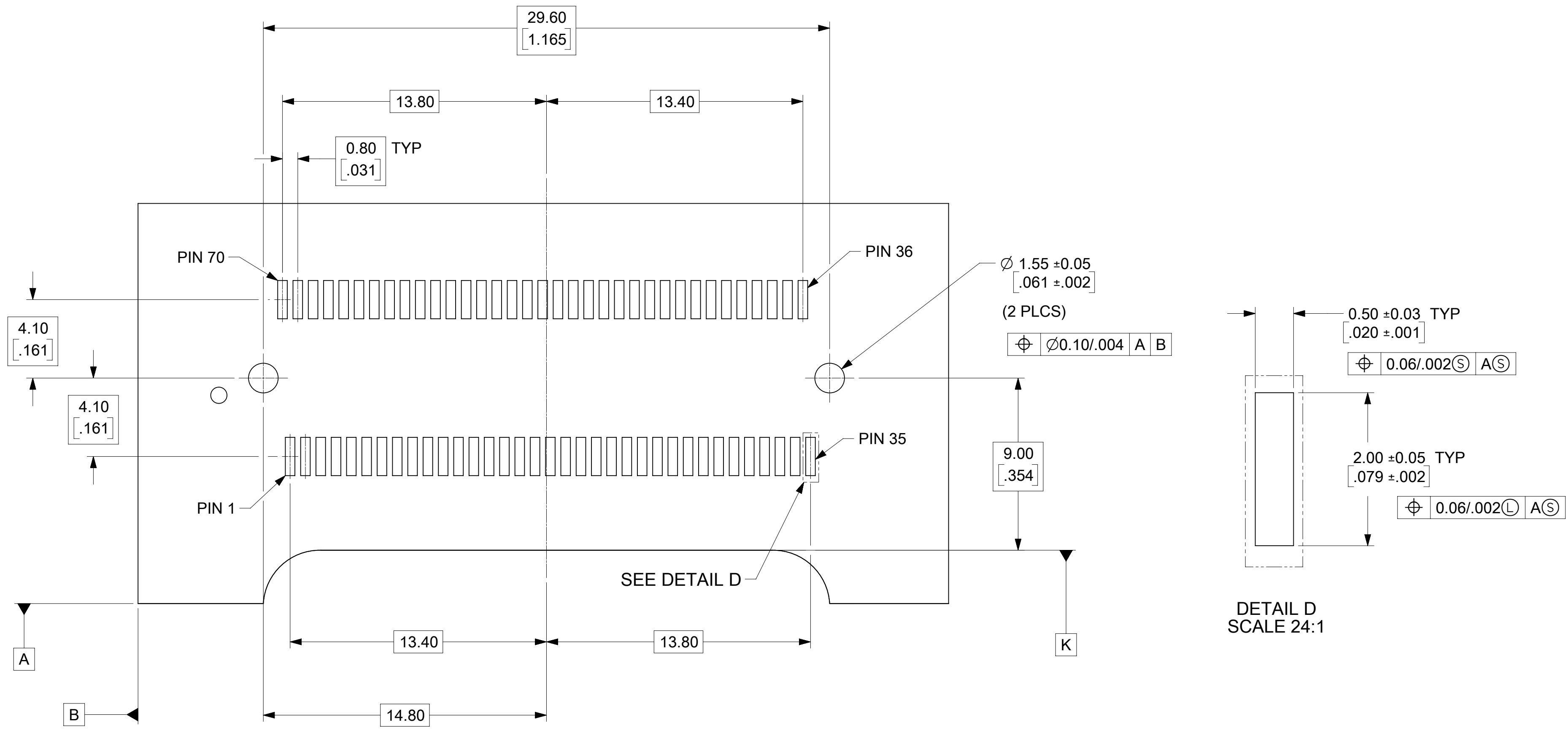
SCALE 10:1

THIS DRAWING CONTAINS INFORMATION THAT IS PROPRIETARY TO MOLEX ELECTRONIC TECHNOLOGIES, LLC AND SHOULD NOT BE USED WITHOUT WRITTEN PERMISSION									
DIMENSION UNITS MM/IN		SCALE 10:1		CURRENT REV DESC: OBSOLETE PART NUMBER AS PER PCN#510313					
GENERAL TOLERANCES (UNLESS SPECIFIED)				EC NO: 667545		2021/06/03		molex	
4 PLACES ±		±		DRWN: ABHISP1		2021/07/05			
3 PLACES ±		± 0.005		CHK'D: GGA		2021/07/05		SALES ASSEMBLY Z AXIS PLUGGABLE PCB CONNECTOR	
2 PLACES ±		0.13 ± 0.01		APPR: GGA		2021/07/05		PRODUCT CUSTOMER DRAWING	
1 PLACE ±		0.25 ±		INITIAL REVISION:				DOCUMENT NUMBER	
0 PLACES ±		±		DRWN: HAVERY		2000/04/06		SD-74441-001	
ANGULAR TOL ± 0.5°				APPR: MBANAKIS		2000/04/06		PSD 001 AC	
DRAFT WHERE APPLICABLE MUST REMAIN WITHIN DIMENSIONS		THIRD ANGLE PROJECTION		DRAWING		SERIES		MATERIAL NUMBER	
		C-SIZE		74441		SEE TABLE		CUSTOMER	
						GENERAL MARKET		SHEET NUMBER	
								3 OF 5	



30 CIRCUIT MOTHER BOARD RECOMMENDED PCB LAYOUT

THIS DRAWING CONTAINS INFORMATION THAT IS PROPRIETARY TO MOLEX ELECTRONIC TECHNOLOGIES, LLC AND SHOULD NOT BE USED WITHOUT WRITTEN PERMISSION									
DIMENSION UNITS MM/IN		SCALE 6:1		CURRENT REV DESC: OBSOLETE PART NUMBER AS PER PCN#510313				molex	
GENERAL TOLERANCES (UNLESS SPECIFIED)				EC NO: 667545 DRWN: ABHISP1 CHK'D: GGA APPR: GGA					
4 PLACES ±		±		2021/06/03				SALES ASSEMBLY Z AXIS PLUGGABLE PCB CONNECTOR	
3 PLACES ±		± 0.005		2021/07/05					
2 PLACES ±		0.13 ± 0.01		2021/07/05				PRODUCT CUSTOMER DRAWING	
1 PLACE ±		0.25 ±		INITIAL REVISION:					
0 PLACES ±		±		DRWN: HAVERY APPR: MBANAKIS				DOCUMENT NUMBER SD-74441-001	
ANGULAR TOL ± 0.5°				2000/04/06 2000/04/06				DOC TYPE DOC PART REVISION PSD 001 AC	
DRAFT WHERE APPLICABLE MUST REMAIN WITHIN DIMENSIONS		THIRD ANGLE PROJECTION		DRAWING C-SIZE		SERIES 74441		MATERIAL NUMBER CUSTOMER SHEET NUMBER SEE TABLE GENERAL MARKET 4 OF 5	



70 CIRCUIT MOTHER BOARD RECOMMENDED PCB LAYOUT

THIS DRAWING CONTAINS INFORMATION THAT IS PROPRIETARY TO MOLEX ELECTRONIC TECHNOLOGIES, LLC AND SHOULD NOT BE USED WITHOUT WRITTEN PERMISSION									
DIMENSION UNITS MM/IN		SCALE 6:1		CURRENT REV DESC: OBSOLETE PART NUMBER AS PER PCN#510313				molex	
GENERAL TOLERANCES (UNLESS SPECIFIED)				EC NO: 667545 DRWN: ABHISP1 CHK'D: GGA APPR: GGA					
4 PLACES ±		±		2021/06/03				SALES ASSEMBLY Z AXIS PLUGGABLE PCB CONNECTOR	
3 PLACES ±		± 0.005		2021/07/05					
2 PLACES ±		0.13 ± 0.01		2021/07/05				PRODUCT CUSTOMER DRAWING	
1 PLACE ±		0.25 ±		INITIAL REVISION:					
0 PLACES ±		±		DRWN: HAVERY APPR: MBANAKIS				DOCUMENT NUMBER SD-74441-001	
ANGULAR TOL ± 0.5°				2000/04/06 2000/04/06				DOC TYPE DOC PART REVISION PSD 001 AC	
DRAFT WHERE APPLICABLE MUST REMAIN WITHIN DIMENSIONS		THIRD ANGLE PROJECTION		DRAWING C-SIZE		SERIES 74441		MATERIAL NUMBER CUSTOMER SHEET NUMBER SEE TABLE GENERAL MARKET 5 OF 5	

DOCUMENT STATUS	P1	RELEASE DATE	2021/07/05 08:38:25
-----------------	----	--------------	---------------------