



Illuminated pushbutton, 30 mm, round, metal, matte, yellow, front ring for flush installation, momentary contact type

<b>product brand name</b>	SIRIUS ACT
<b>product designation</b>	Illuminated pushbuttons
<b>design of the product</b>	Actuating/signaling element
<b>product type designation</b>	3SU1
<b>product line</b>	Metal, matt, flat, 30 mm
<b>Enclosure</b>	
<b>number of command points</b>	1
<b>Actuator</b>	
<b>design of the actuating element</b>	Flat button
<b>principle of operation of the actuating element</b>	momentary contact type
<b>product extension optional</b>	
• light source	Yes
• contact module	Yes
<b>color of the actuating element</b>	yellow
<b>material of the actuating element</b>	plastic
<b>shape of the actuating element</b>	round
<b>outer diameter of the actuating element</b>	38 mm
<b>Front ring</b>	
<b>product component front ring</b>	Yes
<b>design of the front ring</b>	Flat
<b>material of the front ring</b>	Metal, matt
<b>color of the front ring</b>	sand gray
<b>General technical data</b>	
<b>protection class IP</b>	IP66, IP67, IP69(IP69K)
<b>degree of protection NEMA rating</b>	1, 2, 3, 3R, 4, 4X, 12, 13
<b>shock resistance</b>	
• acc. to IEC 60068-2-27	Sinusoidal half-wave 50g / 11 ms
• for railway applications acc. to DIN EN 61373	Category 1, Class B
<b>vibration resistance</b>	
• acc. to IEC 60068-2-6	10 ... 500 Hz: 5g
• for railway applications acc. to DIN EN 61373	Category 1, Class B
<b>operating frequency maximum</b>	3 600 1/h
<b>mechanical service life (switching cycles) typical</b>	3 000 000
<b>reference code acc. to IEC 81346-2</b>	S
<b>Ambient conditions</b>	
• ambient temperature during operation	-25 ... +70 °C
• ambient temperature during storage	-40 ... +80 °C

environmental category during operation acc. to IEC 60721	3M6, 3S2, 3B2, 3C3, 3K6 (with relative air humidity of 10 ... 95 %)
---	---

Installation/ mounting/ dimensions	
height	38 mm
width	38 mm
shape of the installation opening	round
mounting diameter	30.5 mm
positive tolerance of installation diameter	0.5 mm
mounting height	4.2 mm
installation width	38 mm
installation depth	31.1 mm

Certificates/ approvals		
General Product Approval	Declaration of Conformity	Test Certificates



[Miscellaneous](#)



[Type Test Certificates/Test Report](#)

Test Certificates	Marine / Shipping
-------------------	-------------------

[Special Test Certificate](#)



other
-------

[Confirmation](#)

### Further information

Information- and Downloadcenter (Catalogs, Brochures,...)

<https://www.siemens.com/ic10>

Industry Mall (Online ordering system)

<https://mall.industry.siemens.com/mall/en/en/Catalog/product?mlfb=3SU1061-0JB30-0AA0>

Cax online generator

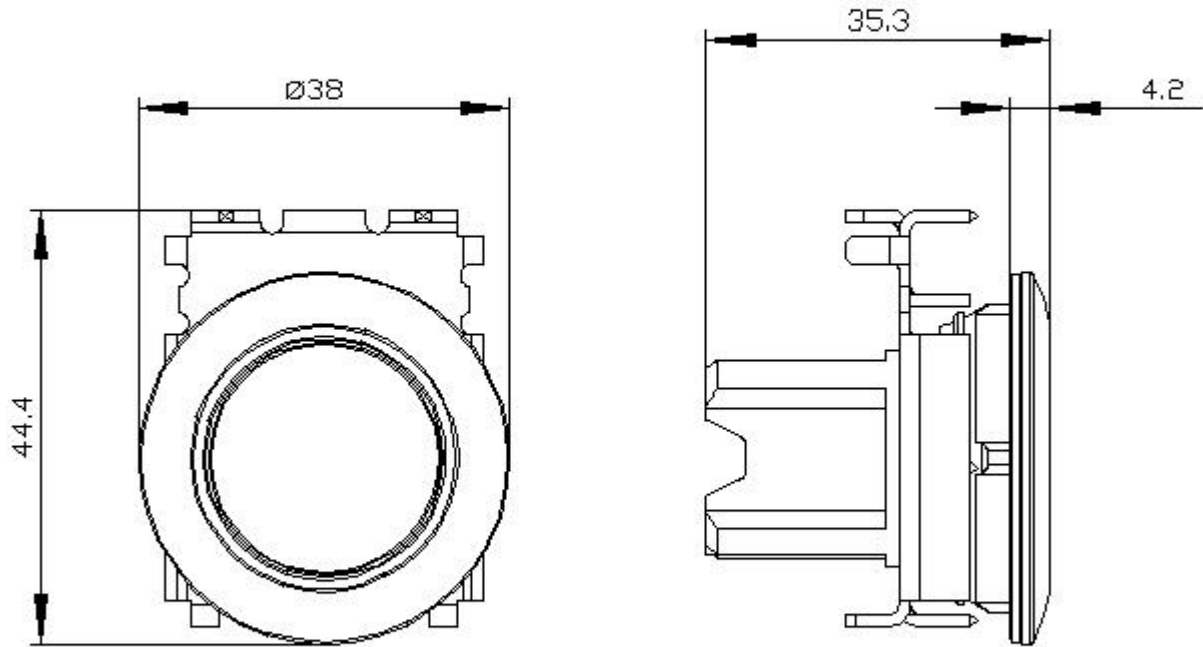
<http://support.automation.siemens.com/WW/CAXorder/default.aspx?lang=en&mlfb=3SU1061-0JB30-0AA0>

Service&Support (Manuals, Certificates, Characteristics, FAQs,...)

<https://support.industry.siemens.com/cs/ww/en/ps/3SU1061-0JB30-0AA0>

Image database (product images, 2D dimension drawings, 3D models, device circuit diagrams, EPLAN macros, ...)

[http://www.automation.siemens.com/bilddb/cax\\_de.aspx?mlfb=3SU1061-0JB30-0AA0&lang=en](http://www.automation.siemens.com/bilddb/cax_de.aspx?mlfb=3SU1061-0JB30-0AA0&lang=en)



last modified:

8/31/2020 