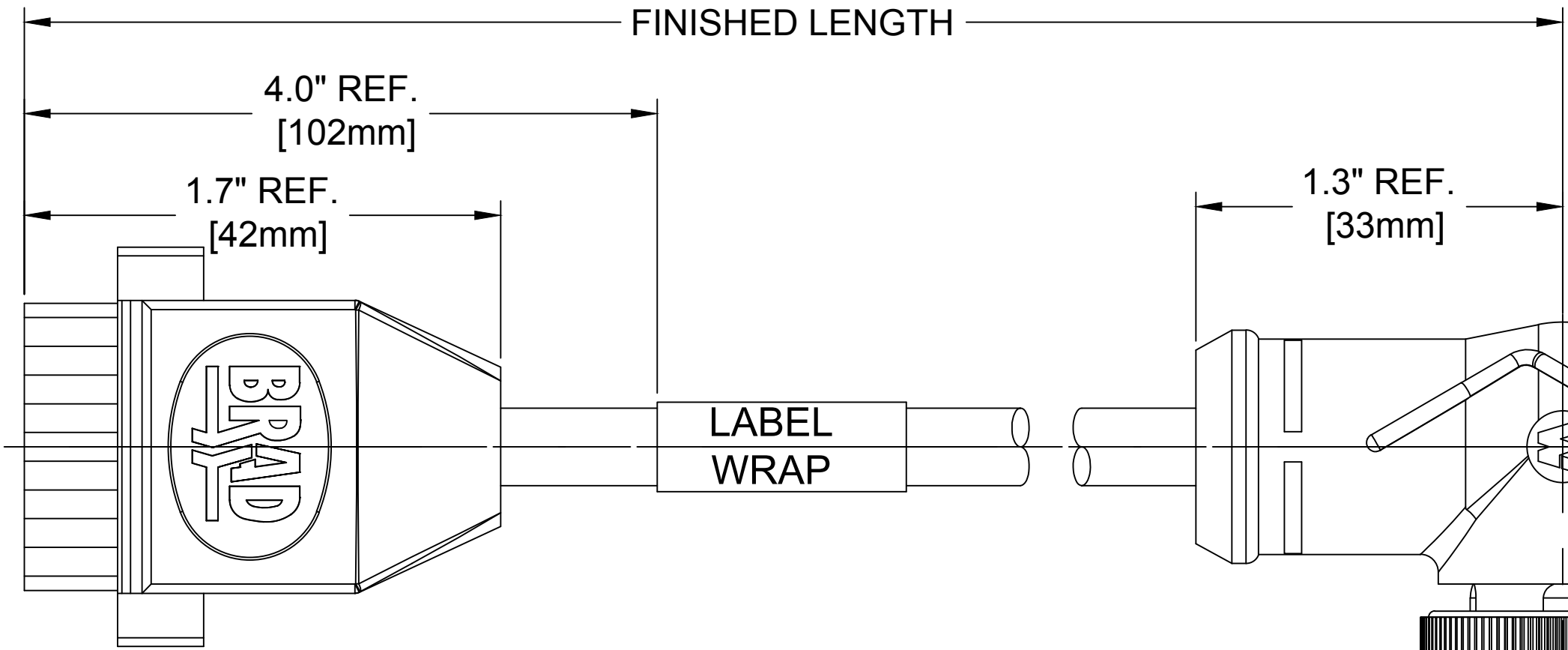
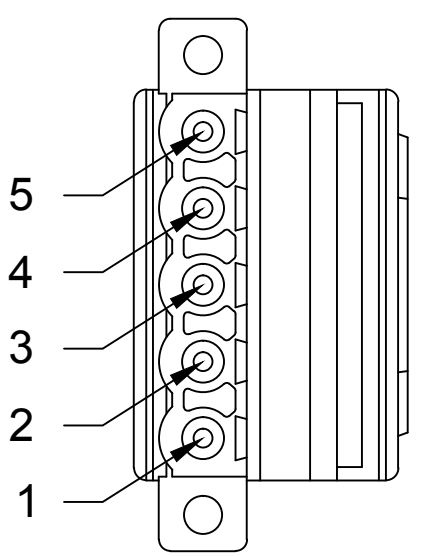
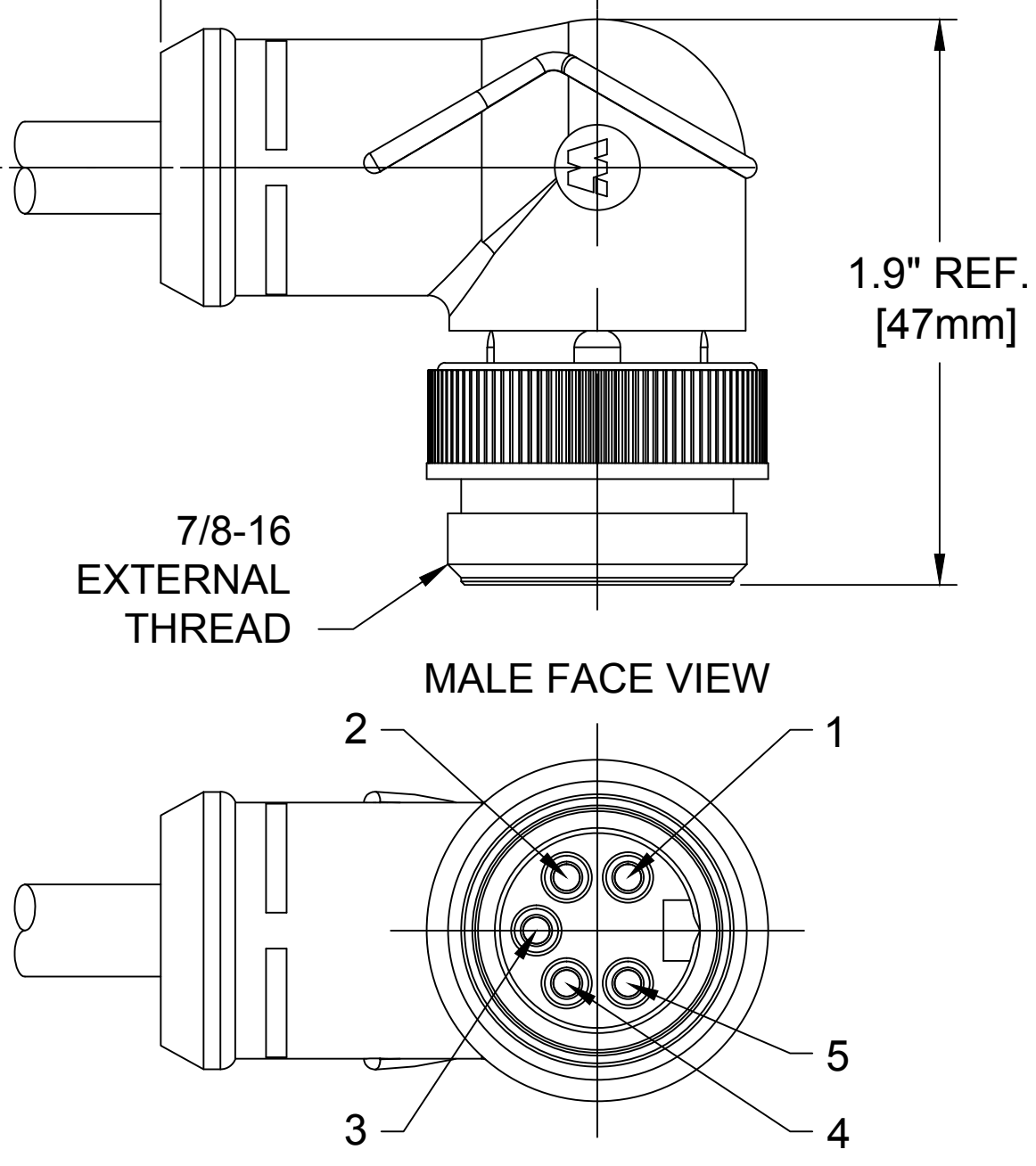


13	12	11	10	9	8	7	6	5	4	3	2	1
MATERIAL NUMBER		ENGINEERING NUMBER		FINISHED LENGTH								
1300390547		DNDF49A-M010		1M +55.6mm -0 [3.3FT +2.2IN -0]								

FEMALE FACE VIEW



MALE FACE VIEW



WIRING DIAGRAM



**DNDF49A-M010**

Cable type  
DEVICENET  
(FLEX DROP)

cable length  
M010----1 Meter  
M100----10 Meter

**SPECIFICATION DATA**

ELECTRICAL DATA:  
MAX. VOLTAGE: 300 VAC  
MAX. CURRENT: 4 AMPS  
ENVIRONMENTAL:  
PROTECTION IP20  
TEMPERATURE RANGE: -20°C TO 80°C  
CERTIFICATIONS:  
cCSAus FILE: LR6837  
ASSEMBLY IS RoHS COMPLIANT.

LABEL	PLASTIC FILM	YELLOW
OVERMOLD	TPE	GRAY
COUPLING NUT	ZINC DIE-CAST	BLACK E-COAT
INSERT	PVC	GRAY
PIN CONTACT	COPPER ALLOY	GOLD PLATING
D-NET OPEN CONNECTOR	POLYAMIDE	GRAY
CABLE #22/2 & #24/2 + DRAIN	TPE JACKET	GRAY
DESCRIPTION	MATERIAL	FINISH

EC NO: IFC2014-0701 DRWN: GGUSTAFS 2013/10/17 CH'KD: BARDEN APPR: BWOODMAN 2013/10/21 RELEASE	QUALITY SYMBOL ▽=0 C=0	GENERAL TOLERANCES (UNLESS SPECIFIED)		DIMENSION STYLE IN/MM		SCALE NTS	DESIGN UNITS INCH	THIRD ANGLE PROJECTION		
			mm	INCH	DRAWN BY	DATE	TITLE	MC CORDSET TO OPEN 5P MA 90 TO OPEN DEVICENET FLEX DROP		
		4 PLACES	±---	±---	GGUSTAFS	2013/10/17				
		3 PLACES	±---	±.005	CHECKED BY	DATE	MOLEX INCORPORATED SD-130039-060			
2 PLACES	±0.13	±.010	BARDEN	2013/11/11						
1 PLACE	±0.25	±.020	APPROVED BY	DATE	THIS DRAWING CONTAINS INFORMATION THAT IS PROPRIETARY TO MOLEX INCORPORATED AND SHOULD NOT BE USED WITHOUT WRITTEN PERMISSION					
ANGULAR ±.5°		DRAFT WHERE APPLICABLE MUST REMAIN WITHIN DIMENSIONS		BWOODMAN				2013/10/21	MATERIAL NO. SEE CHART	DOCUMENT NO. SD-130039-060