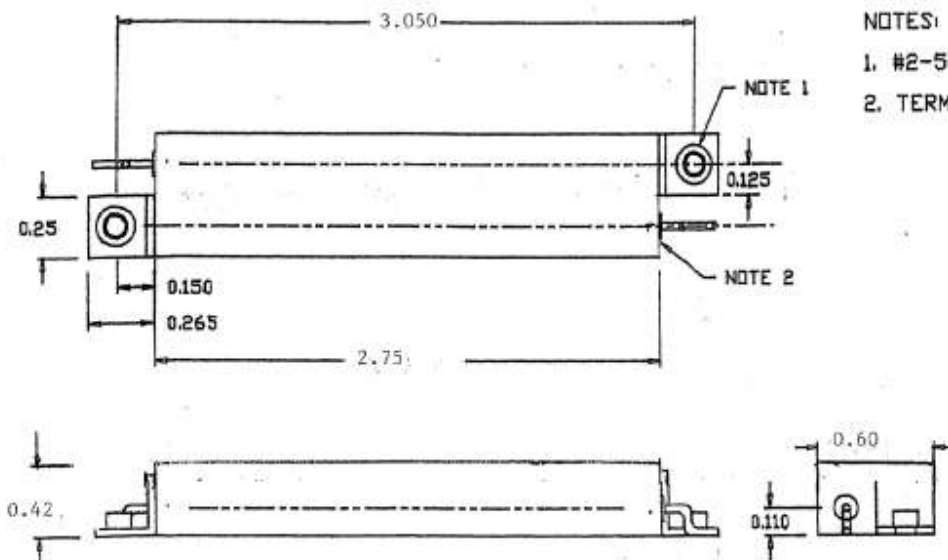




### 70 MHz Crystal Filter

P/N: AM70CR275

Center Frequency (Fo)	70 MHz
3 dB Bandwidth(BW)	70 KHz min.
Insertion Loss (Fo)	<9 dB
In Band Return Loss:	10 dB min.
Attenuation:	>60 dBc @ < and = 69.39 MHz >60 dBc @ > and = 70.07 MHz
Ultimate Attenuation:	>60 dBc
Spurs @ Fo +/- 2000 KHz:	>60 dBc
In band p-p Ripple:	< 1dB
Operating Temperature Range:	0°C to +70°C
Storage Temperature Range:	-62°C to +75°C
Vibration (Non Operating):	10 g's 20 Hz to 2000 Hz
Power Handling:	+10 dBm max.
Shock (Non Operating):	100 g's 11 +/- 1msec 1/2 sine wave



Tol: .XX,+/- .020, .XXX,+/- .010