

6

5

4

3

2

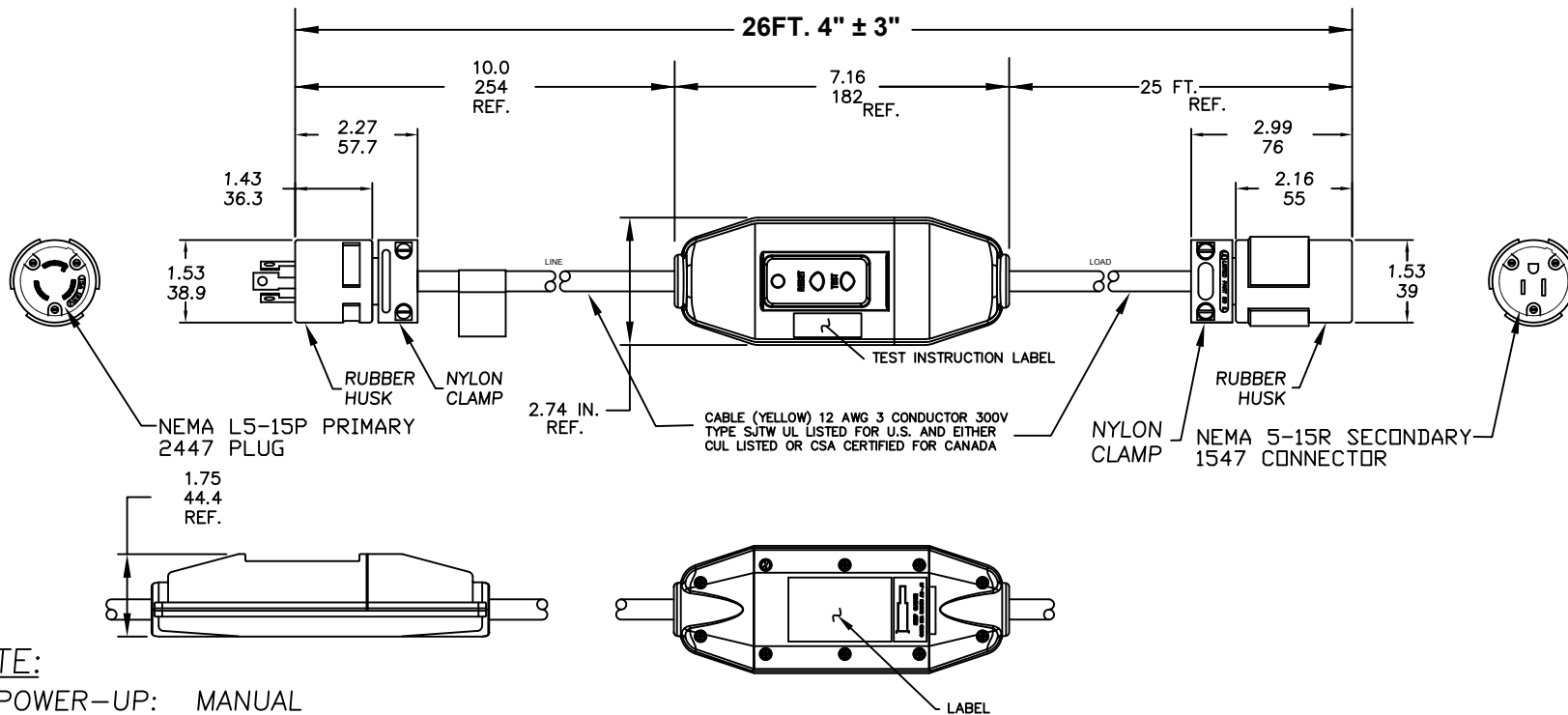
1

TECHNICAL:

RATED VOLTAGE: 120VAC
 OPERATING VOLTAGE RANGE: 85% TO 110% OF RATED
 CURRENT: UP TO 15 AMPS
 FREQUENCY: 60Hz
 TRIP LEVEL: 5mA +/- 1mA
 PHASE: SINGLE
 RESPONSE TIME: 25 mS MAX.
 DIELECTRIC WITHSTAND: 1500 VRMS ACROSS CONTACT
 4000 VRMS BETWEEN CONDUCTORS AND ENCLOSURE
 SURGE WITHSTAND: 6000V IMPULSE, 0.5 MICROSECOND RISE TIME
 100KHZ RINGING FREQUENCY WITH 40% DECAY PER CYCLE
 OPERATING TEMPERATURE RANGE: -35 DEGREE CELSIUS TO +66 DEGREE CELSIUS
 LEAKAGE CURRENT @ 93% HUMIDITY: ZERO
 OVERLOAD CURRENT: 90 AMPS, 50% INDUCTIVE
 RF NOISE SUSCEPTIBILITY: NORMAL OPERATION WITH 0.5 VRMS INJECTED ON POWER LINE WITH FREQUENCIES UP TO 450 MHZ
 LET GO LINE VOLTAGE: 60% OF RATED
 GROUNDED NEUTRAL DETECTION: 6 OHMS OR LESS

GENERAL:

CONSTRUCTION: COMMERCIAL GRADE DESIGN
 TYPE: CLASS A
 POWER-UP TYPE: SEE TABLE
 ENDURANCE: 5000 OPERATIONS MINIMUM
 OPEN NEUTRAL PROTECTION: TRIPS UPON LOSS OF NEUTRAL
 GROUNDED NEUTRAL PROTECTION: TRIPS IF GROUND AND NEUTRAL TOUCH AT LOAD SIDE
 POWER ON INDICATION: LIGHTED GREEN LED
 ENCLOSURE: RAIN PROOF
 MOUNTING TYPE: PORTABLE
 WIRING APPLICATION: 3 WIRE, SINGLE PHASE (HOT, NEUTRAL, GROUND)
 AGENCY APPROVAL: U.L. AND CSA



NOTE:
 POWER-UP: MANUAL

APPROVAL DRAWING EC NO.: WNA2011-0048 DRWN: HKNEELAN 2010/07/26 CHKD: HKNEELAN APPR: DTTITUS 2010/07/28	QUALITY SYMBOLS ▽=0 ▽C=0	GENERAL TOLERANCES (UNLESS SPECIFIED)		DIMENSION STYLE IN/MM		SCALE NTS	DESIGN UNITS INCH	THIRD ANGLE PROJECTION	
			mm	INCH	DRAWN BY HKNEELAN	DATE 2010/07/26	TITLE IN-LINE GFCI MANUAL 26FT #12-3 SJT/W CABLE 2447 PLUG & 1547 CONNECT		
		4 PLACES	±---	±---	CHECKED BY HKNEELAN	DATE 2010/07/27	MOLEX INCORPORATED		
		3 PLACES	±---	±.005	APPROVED BY DTTITUS	DATE 2010/07/28	DOCUMENT NO. SD-130153-008		
	2 PLACES	±0.13	±.010	MATERIAL NO. 1301530225		SHEET NO. 1 OF 1			
	1 PLACE	±0.25	±.020	SIZE A		THIS DRAWING CONTAINS INFORMATION THAT IS PROPRIETARY TO MOLEX INCORPORATED AND SHOULD NOT BE USED WITHOUT WRITTEN PERMISSION			
DRAFT WHERE APPLICABLE MUST REMAIN WITHIN DIMENSIONS		ANGULAR ±1/2°							

6

5

4

3

2

1