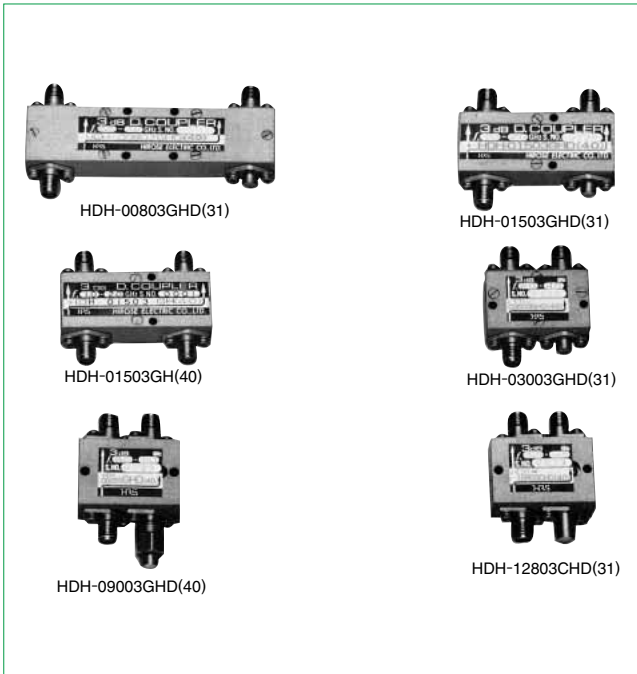


# Couplers with Connectors (H Type)

## HDH Series



### ■Features

#### 1.High Performance

The high frequency characteristics feature extremely low loss, a high degree of matching, and high isolation.

#### 2.Power Uniform Distribution and 90°Phase Difference Type

This is a one input, two output (or two input, one output) power uniform distribution type having a 90°phase difference between the two outputs (or two inputs).

#### 3.Minature and Lightweight

Corrosion-resistant aluminum is used for the case and the Hirose Electric original pattern design, which uses a stripline triplate method, enables the couplers to be miniature and lightweight.

#### 4.Couplers with SMA Connectors

Use of SMA connectors (Hirose Electric HRM Series) which feature stainless steel for the exterior cladding make these couplers durable.

### ■Product Specifications

Ratings	Frequency range (Note) Characteristic impedance Maximum Input Power (Note)	0.5 to 14.5GHz 50Ω 2 to 50 W	Operating temperature range Operating relative humidity	-10°C to +65°C 95% Max.
---------	--	------------------------------------	--	----------------------------

Note : The frequency range and the maximum input power will differ depending on the products.

Item	Standard	Conditions
1.Vibration	No electrical discontinuity of 1μs or more No damage, cracks, or parts dislocation	Frequency of 10 to 2000Hz, overall amplitude of 1.52mm, acceleration of 98m/s <sup>2</sup> for 2 hours in each of 3 directions
2.Shock		Acceleration of 490m/s <sup>2</sup> , sine half-wave waveform, 3 cycles in each of the 3 axis
3.Temperature cycle	No damage, cracks, or parts dislocation	Temperature : -55°C → +15°C to +35°C → +85°C → +15°C to +35°C Time : 30 → 15 max. → 30 → 15 max. (Minutes) 5 cycles

●The test method conforms to MIL-STD-202.

### ■Materials / Finish

Part	Material	Finish
Connector Body	Stainless steel	Passivated
Connector female contacts	Beryllium copper	Gold plating
Connector Insulator	PTFE	—
Case	Aluminum	Coating
Board	Dielectric	Gold plating

## Product Number Structure

Refer to the chart below when determining the product specifications from the product number.  
Please select from the product numbers listed in this catalog when placing orders.

**HD H - 008 03 G H D (31)**  
 ① ② ③ ④ ⑤ ⑥ ⑦ ⑧

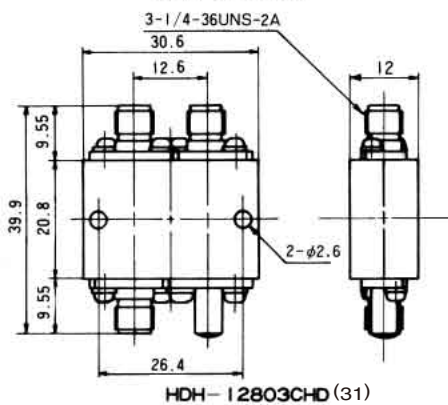
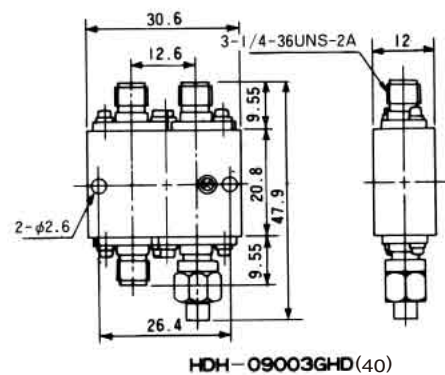
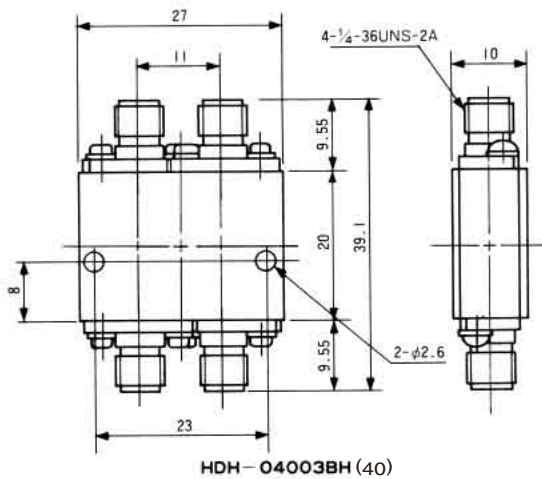
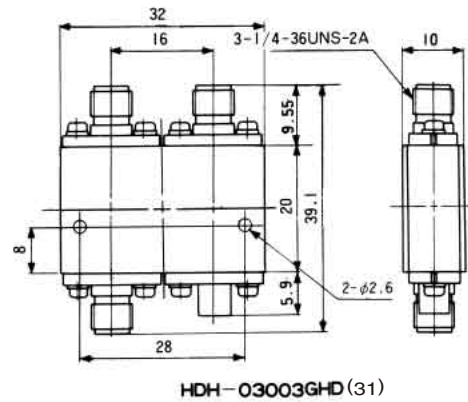
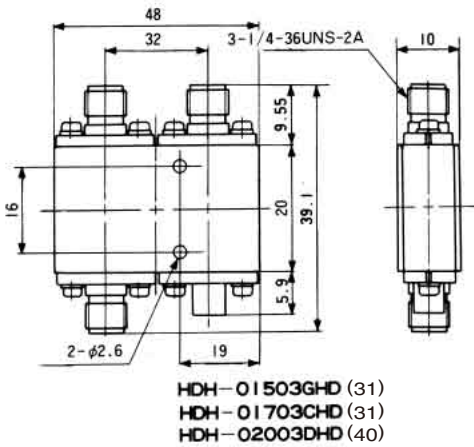
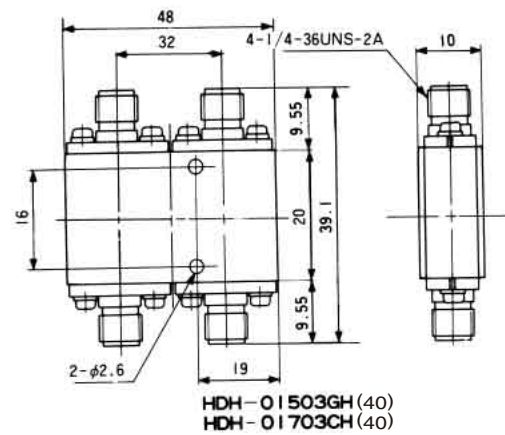
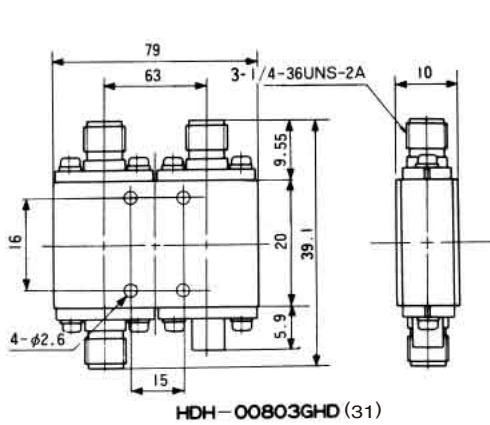
① Series Name : HD (Directional Couplers)	④ Coupling 03 : 3dB
② Type of Connector H : Indicates the HRM (SMA) Series	⑤ Frequency Relative Bandwidth B : From 5% to below 10% C : From 10% to below 15% D : From 15% to below 20% G : From 30% to below 35%
③ Center Frequency 008 : 0.75GHz 015 : 1.5GHz 017 : 1.7GHz 020 : 2.0GHz 030 : 3.0GHz 040 : 4.0GHz 090 : 9.0GHz 128 : 12.8GHz	⑥ Form H : H Type
	⑦ D : With Termination
	⑧ (31), (40) : RoHS Compliant

## Specifications

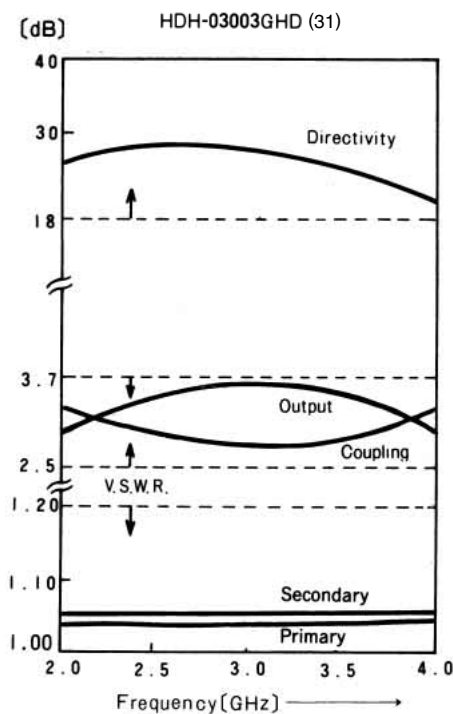
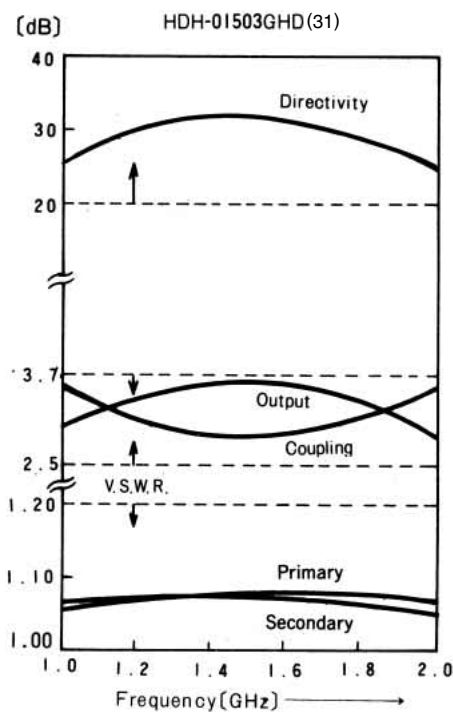
Part Number	Frequency Range (GHz)	Coupling (dB)	Frequency Sensitivity	Directivity (dB Min)	Primary Line V.S.W.R. (Max)	Secondary Line V.S.W.R. (Max)	Weight (g)	Power (W)
HDH-00803GHD(31)	0.5~1.0	3 <sup>+0.2</sup> <sub>0</sub>	±0.5	20	1.15	1.15	49	2
HDH-01503GH(40)	1.0~2.0	3 <sup>+0.2</sup> <sub>0</sub>	±0.5	20	1.20	1.20	34	50
HDH-01503GHD(31)	1.0~2.0	3 <sup>+0.2</sup> <sub>0</sub>	±0.5	20	1.20	1.20	34	2
HDH-01703CH(40)	1.5~1.9	3 <sup>+0.2</sup> <sub>0</sub>	±0.3	20	1.20	1.20	34	50
HDH-01703CHD(31)	1.5~1.9	3 <sup>+0.2</sup> <sub>0</sub>	±0.3	20	1.20	1.20	34	2
HDH-02003DHD(40)	1.7~2.3	3 <sup>+0.2</sup> <sub>0</sub>	±0.3	18	1.20	1.20	34	2
HDH-03003GHD(31)	2.0~4.0	3 <sup>+0.2</sup> <sub>0</sub>	±0.5	18	1.20	1.20	25	2
HDH-04003BH(40)	3.7~4.2	3 <sup>+0.2</sup> <sub>0</sub>	±0.3	20	1.20	1.20	23	50
HDH-09003GHD(40)	8.0~11.0	3 <sup>+0.3</sup> <sub>0</sub>	±0.5	15	1.30	1.30	31	2
HDH-12803CHD(31)	10.5~14.5	3 <sup>+0.6</sup> <sub>0</sub>	±0.5	12	1.40	1.40	31	2

- Directivity have had the coupling (nominal value of 3 dB) subtracted.
- There is a phase difference of 90° between the output and the coupling.

## External Dimensions

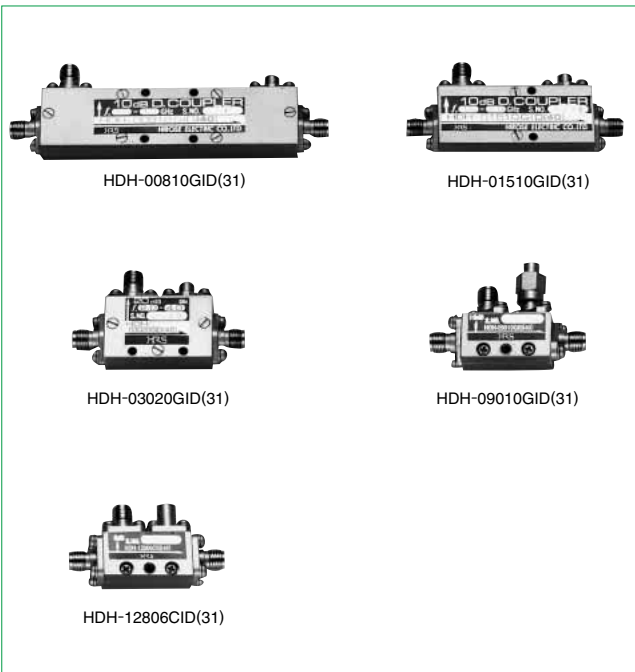


Typical Data



# Couplers with Connectors (I Type)

## HDH Series



### ■ Features

#### 1. High Performance

The high frequency characteristics feature. Extremely high degree of matching, and high isolation.

#### 2. Miniature and Lightweight

Corrosion-resistant aluminum is used for the case and the Hirose Electric original pattern design, which uses a stripline triplate method, enables the couplers to be miniature and lightweight.

#### 3. Couplers with SMA Connectors

Use of SMA connectors (Hirose Electric HRM Series) which feature stainless steel for the exterior cladding make these couplers durable.

#### 4. Full Coupling Variations

Full variations of coupling over 6 dB are available.

### ■ Product Specifications

Ratings	Frequency range (Note) Characteristic impedance Maximum Input Power (Note)	0.5 to 14.5GHz 50Ω 4 to 50 W	Operating temperature range Operating relative humidity	-10°C to +65°C 95% Max.
---------	--	------------------------------------	--	----------------------------

Note : The frequency range and the maximum input power will differ depending on the products.

Item	Standard	Conditions
1.Vibration	No electrical discontinuity of 1μs or more No damage, cracks, or parts dislocation	Frequency of 10 to 2000Hz, overall amplitude of 1.52mm, acceleration of 98m/s <sup>2</sup> for 2 hours in each of 3 directions
2.Shock		Acceleration of 980m/s <sup>2</sup> , sine half-wave waveform, 3 cycles in each of the 3 axis
3.Temperature cycle	No damage, cracks, or parts dislocation	Temperature : -55°C → +15°C to +35°C → +85°C → +15°C to +35°C Time : 30 → 15 max. → 30 → 15 max. (Minutes) 5 cycles

●The test method conforms to MIL-STD-202.

### ■ Materials / Finish

Part	Material	Finish
Connector Body	Stainless steel	Passivated
Connector female contacts	Beryllium copper	Gold plating
Connector Insulator	PTFE	—
Case	Aluminum	Coating
Board	Dielectric	Gold plating

## Product Number Structure

Refer to the chart below when determining the product specifications from the product number.  
Please select from the product numbers listed in this catalog when placing orders.

**HD H - 008 10 G I D (31)**  
①
②
③
④
⑤
⑥
⑦
⑧

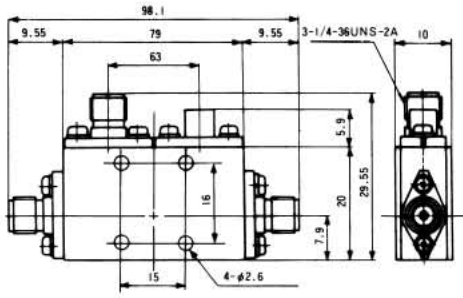
<p>① Series Name : HD (Directional Couplers)</p>	<p>④ Coupling 06 : 6dB 10 : 10dB 20 : 20dB 30 : 30dB 37 : 37dB 49 : 49dB</p>
<p>② Type of Connector H : Indicates the HRM (SMA) Series</p>	<p>⑤ Frequency Relative Bandwidth C : From 10% to below 15% G : From 30% to below 35%</p>
<p>③ Center Frequency 008 : 0.8GHz 009 : 0.9GHz 015 : 1.5GHz 017 : 1.7GHz 030 : 3.0GHz 090 : 9.0GHz 128 : 12.8GHz</p>	<p>⑥ Form I : I Type, H : H Type</p>
	<p>⑦ D : With Termination Isolation port with termination is designated as D at the end of each part No.</p>
	<p>⑧ (31), (40) : RoHS Compliant</p>

## Specifications

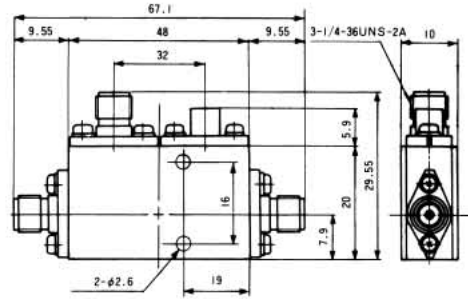
Part Number	Frequency Range (GHz)	Coupling (dB)	Frequency Sensitivity (dB)	Insertion Loss (dB MAX)	Directivity (dB MIN)	Primary Line V.S.W.R. (MAX)	Secondary Line V.S.W.R. (MAX)	Weight (g)	Power (W)
HDH-0810GID(31)	0.5~1.0	10±1.0	±0.75	0.3	20	1.15	1.15	49	10
HDH-00820GID(31)	0.5~1.0	20±1.0	±0.75	0.3	18	1.15	1.15	50	50
HDH-01510GID(31)	1.0~2.0	10±1.2	±0.75	0.4	20	1.20	1.20	34	10
HDH-01520GID(31)	1.0~2.0	20±1.2	±0.75	0.4	18	1.20	1.20	34	50
HDH-01706CID(40)	1.5~1.9	6±1.0	±0.3	0.4	18	1.20	1.20	34	5
HDH-01710CID(40)	1.5~1.9	10±1.2	±0.3	0.4	20	1.20	1.20	34	10
HDH-01720CID(40)	1.5~1.9	20±1.2	±0.4	0.4	20	1.20	1.20	34	50
HDH-01730CID(40)	1.5~1.9	30±1.5	±0.4	0.4	18	1.20	1.20	34	50
HDH-03010GID(31)	2.0~4.0	10±1.2	±0.75	0.5	18	1.20	1.20	25	10
HDH-03020GID(31)	2.0~4.0	20±1.2	±0.75	0.5	18	1.20	1.20	25	50
HDH-09010GID(31)	8.0~11.0	10±1.2	±0.75	0.5	15	1.30	1.30	24	10
HDH-09020GID(31)	8.0~11.0	20±2.0	±0.75	0.5	13	1.30	1.30	24	10
HDH-12806CID(31)	10.5~14.5	6±1.0	±0.5	2.1*	15	1.30	1.35	28	4
HDH-12810CID(40)	10.5~14.5	10±1.25	±0.5	1.1*	15	1.30	1.35	28	10
HDH-12820CID(31)	10.5~14.5	20±1.25	±0.5	0.6	15	1.30	1.35	28	50

●The coupling loss component is not included in the insertion loss (unless the item is marked with an ※ symbol)

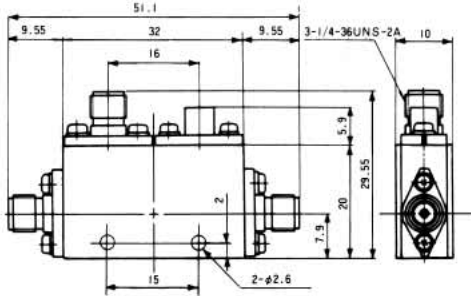
## External Dimensions



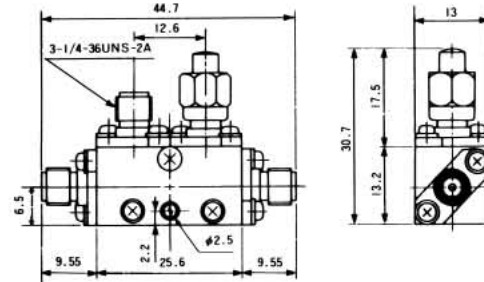
HDH-00810GID(31)  
HDH-00820GID(31)



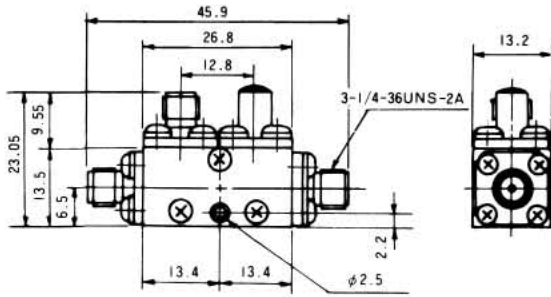
HDH-015<sup>10</sup>/<sub>20</sub>GID(31) HDH-01710CID(40) HDH-01730C(40)  
HDH-01706CID(40) HDH-01720CID(40)



HDH-030<sup>10</sup>/<sub>20</sub>GID(31)



HDH-09010GID(31)  
HDH-09020GID(31)



HDH-12806CID(31)  
HDH-12810CID(40)  
HDH-12820CID(31)



Typical Data

