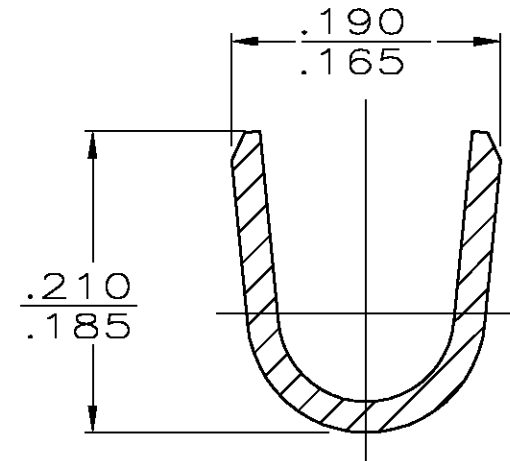
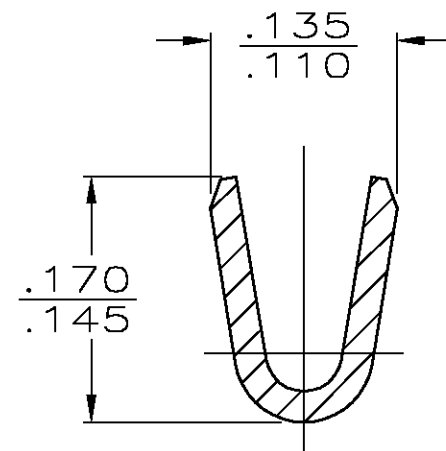
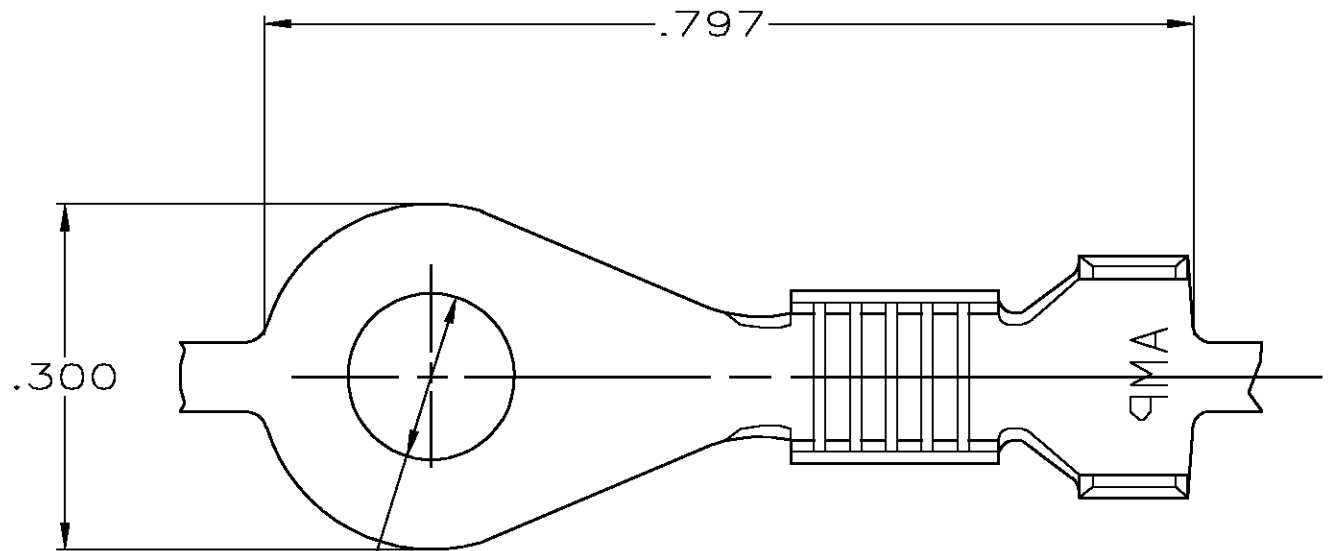


THIS DRAWING IS UNPUBLISHED. RELEASED FOR PUBLICATION
 © COPYRIGHT BY TYCO ELECTRONICS CORPORATION. ALL RIGHTS RESERVED.

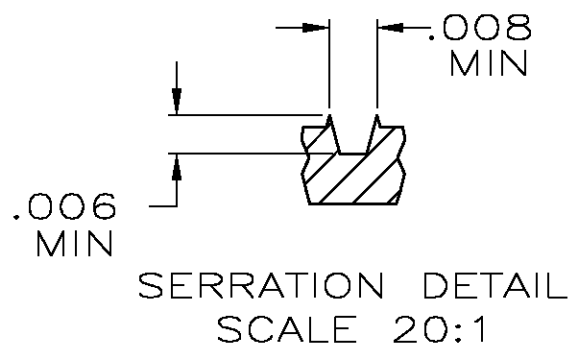
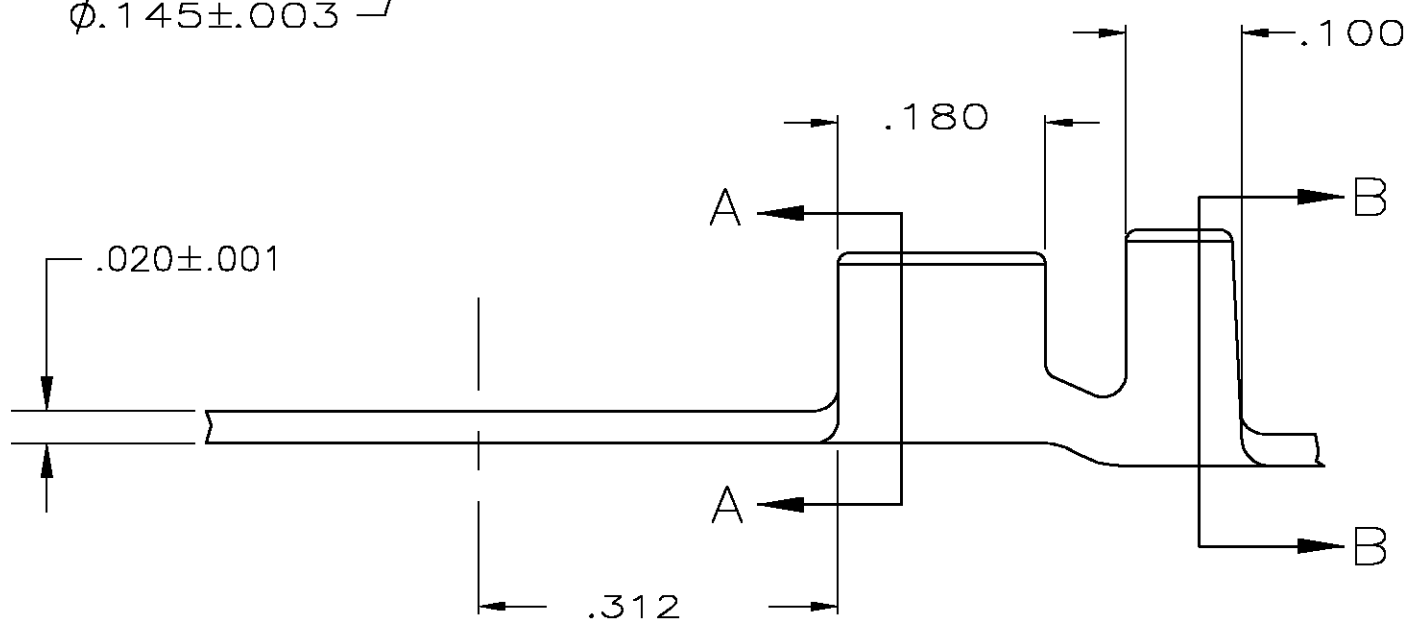
LOC	DIST	REVISIONS					
		P	LTR	DESCRIPTION	DATE	DWN	APVD
AF	50		B	REL PER 0G3A-0955-04	10DEC04	JR	DD

- 1 CONTINUOUS STRIP ON REELS
- 2 WIRE RANGE IS #18-#14 MAGNET.
- 3 INSULATION RANGE IS .100-.140 DIA.



SECTION A-A
SCALE 8:1

SECTION B-B
SCALE 8:1



1217730-1
PART NO.

THIS DRAWING IS A CONTROLLED DOCUMENT.		DWN JR RUTH 08OCT01	Tyco Electronics Corporation Harrisburg, Pa 17105-3608	
DIMENSIONS: INCHES		CHK D DECKER 08OCT01		
TOLERANCES UNLESS OTHERWISE SPECIFIED:		APVD D DECKER 08OCT01	NAME RING TERMINAL	
0 PLC ± - 1 PLC ± - 2 PLC ± - 3 PLC ± .010 4 PLC ± - ANGLES ± -		PRODUCT SPEC -	-	
MATERIAL 081 BRASS		FINISH -	APPLICATION SPEC -	RESTRICTED TO -
		WEIGHT -	SIZE A3	CAGE CODE 00779
		CUSTOMER DRAWING	DRAWING NO C-1217730	RESTRICTED TO -
			SCALE 5:1	SHEET 1 OF 1
				REV B