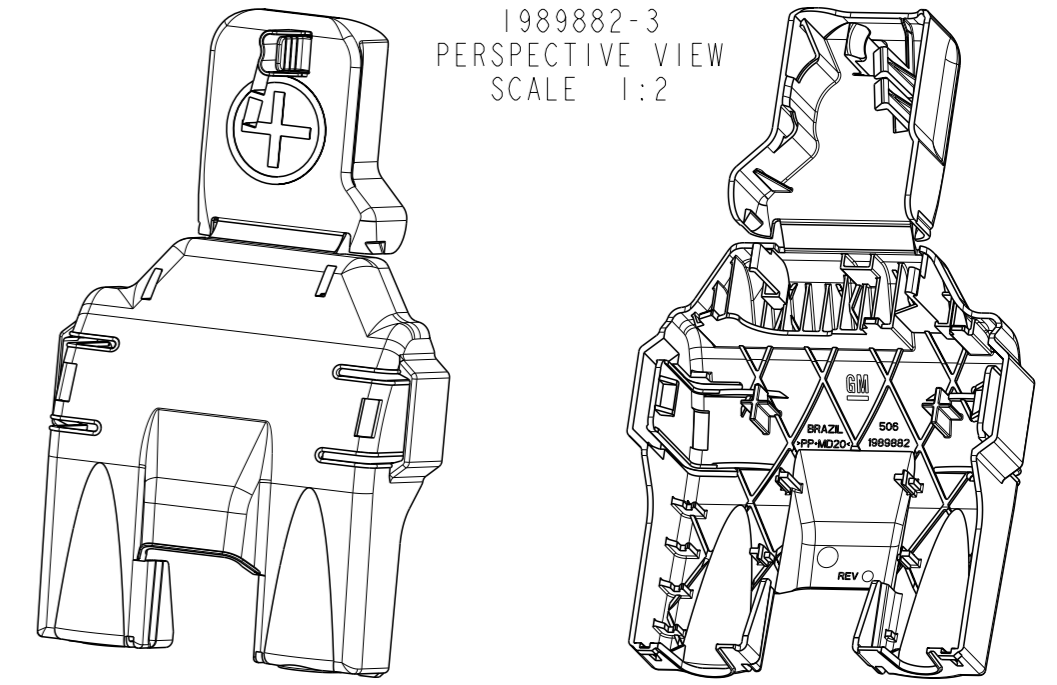
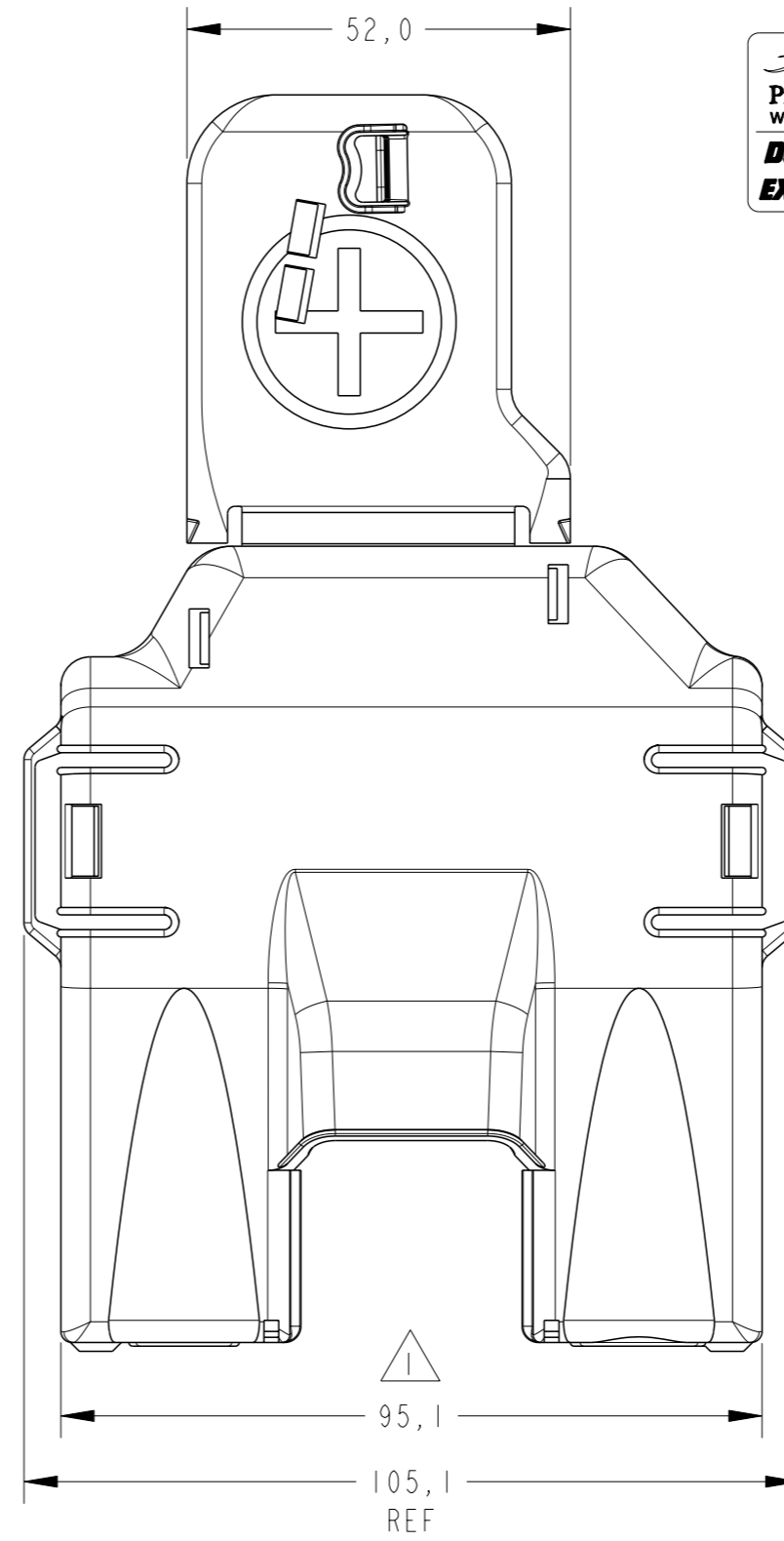
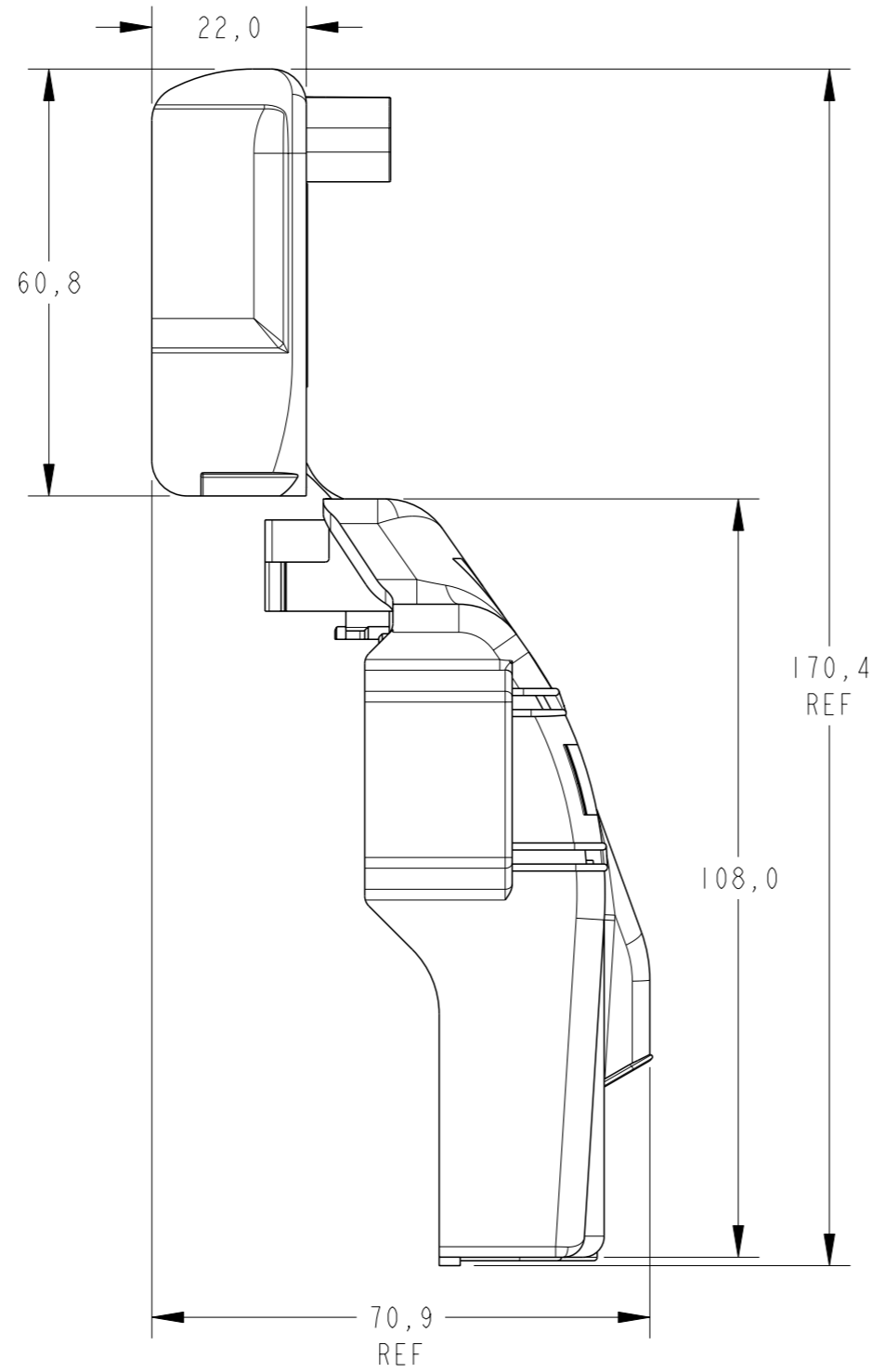
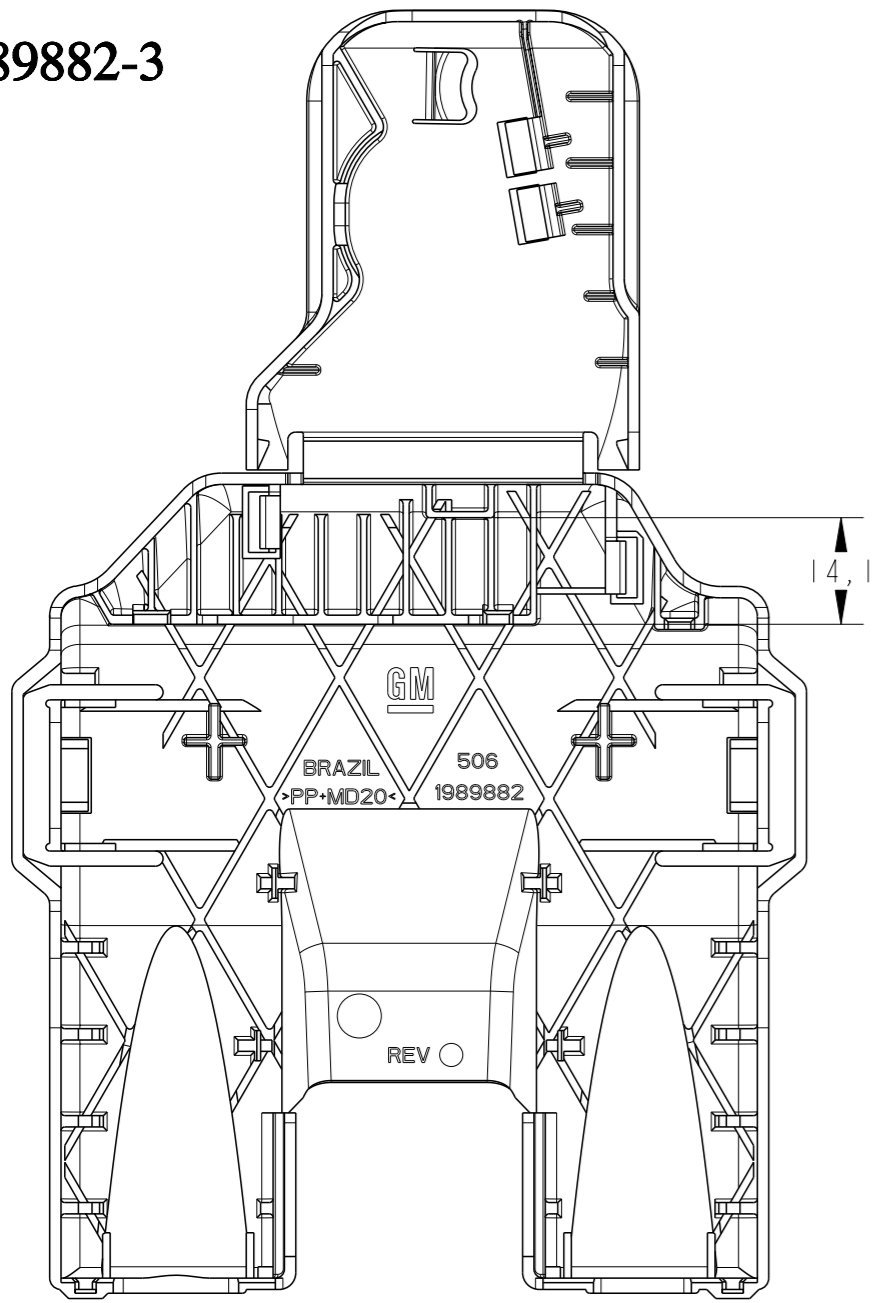


THIS DRAWING IS UNPUBLISHED. RELEASED FOR PUBLICATION 20
 © COPYRIGHT 20 ALL RIGHTS RESERVED.

LOC	DIST	REVISIONS			
P	LTR	DESCRIPTION	DATE	DWN	APVD
AP	-				
A		RELEASED BY ECO-11-022322	17NOV2011	MAS	DO
B		CHANGED BY ECO-12-011151	15JUN2012	PP	GB
B1		CHANGED BY ECO-12-013772	27JUL2012	PP	MG
B2		REVISED DESIGN ECO-12-018871	05NOV2012	NCL	NMS

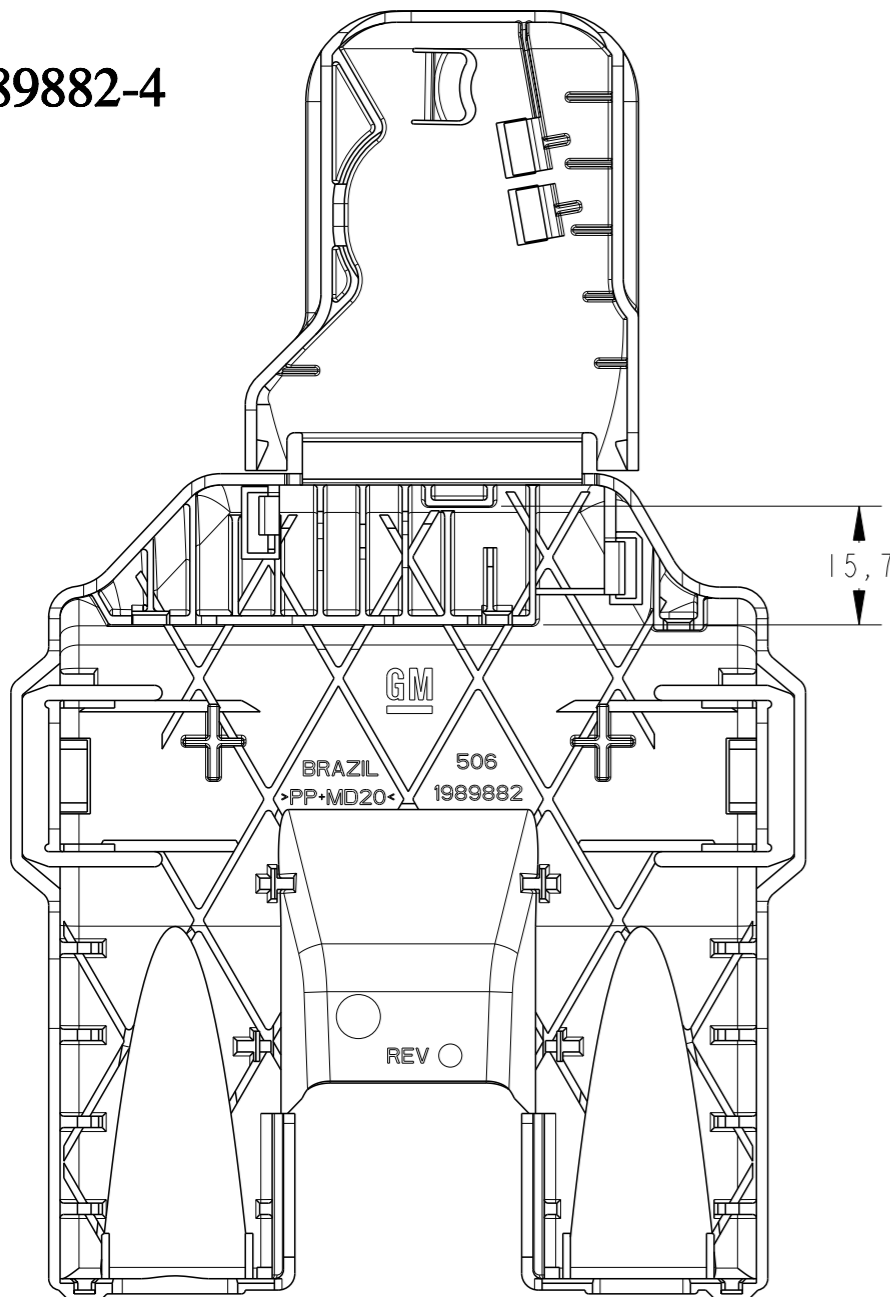


1989882-3



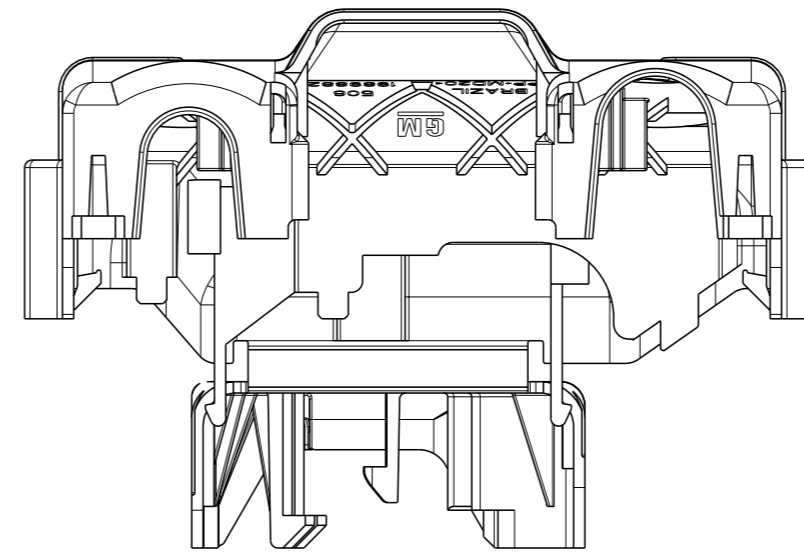
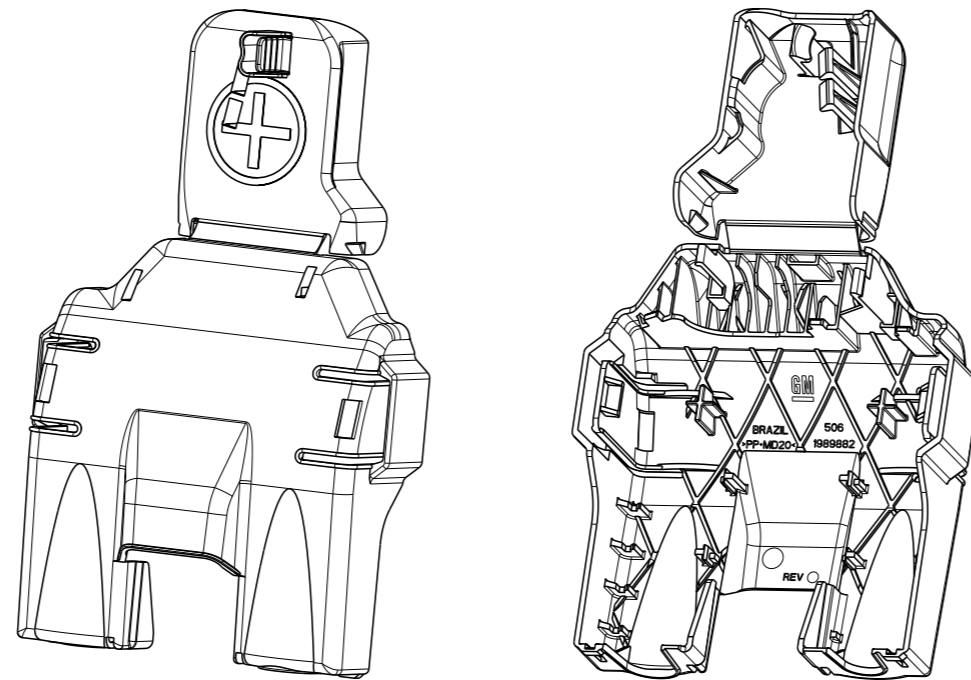
1989882-3
 PERSPECTIVE VIEW
 SCALE 1:2

1989882-4



15,7

1989882-4
 PERSPECTIVE VIEW
 SCALE 1:2



GRAVAÇÕES	MARKINGS
CÓDIGO PAÍS PRODUTOR	MANUFACTURER COUNTRY CODE
NOMENCLATURA MATERIAL	MATERIAL NOMENCLATURE
NÚMERO COMPONENTE TE	TE COMPONENT NUMBER
LOGOTIPO CLIENTE	CUSTOMER LOGO
NÚMERO CAVIDADE	CAVITY NUMBER
PAÍS PRODUTOR	MANUFACTURER COUNTRY
REV+ LETRA REV.DA PEÇA	REV.+ PART REV.LETTER

△ -DEFORMAÇÃO PERMITIDA: 94,0mm MIN.
 DEFORMATION PERMITTED: 94,0mm MIN.

OBSELETE
OBSELETE

FINISH	MATERIAL	PART NUMBER
VERMELHO/RED	PP+20%MD	1989882-4
VERMELHO/RED	PP+20%MD	1989882-3
VERMELHO/RED	PP+20%MD	1989882-2
VERMELHO/RED	PP+20%MD	1989882-1

THIS DRAWING IS A CONTROLLED DOCUMENT.

DIMENSIONS:	TOLERANCES UNLESS OTHERWISE SPECIFIED:	DWN	12AUG2009	TE Connectivity COVER MAXI FUSE-4 WAYS
mm	0 PLC ±0,5	CHK	R.K.S.T.I.E.M.E. 19AUG2009	
	1 PLC ±	APVD	E.LOPES 19AUG2009	
	2 PLC ±	PRODUCT SPEC	D.A.OLIVEIRA	
	3 PLC ±	APPLICATION SPEC		NAME
	4 PLC ±	WEIGHT		SIZE
	ANGLES ±	CUSTOMER DRAWING		CAGE CODE
	FINISH	SCALE	1:1	DRAWING NO
SEE TABLE		SHEET	1	RESTRICTED TO
		OF	1	REV
				B2